

LEGENDS	
ELECTRIC POLE	+
LIGHT POLE	⊥
TELEPHONE POLE	⊥
TRANSFORMER	⊕
GATE	⊗
TREE	⊙
MANHOLE	⊕
BOUNDARY	—
TBM	•
THOKAR	—
PANEL BOX	•
STRUCTURE	□
TEMPORARY STRUCTURE	□
SIGN BOARD	⊥
RIVER EDGE	—
HAND PUMP	F

Symbol	Meaning
⊕	Panel Box
⊕	Hand Pump
⊕	Light Pole

- NOTES:**
1. ALL DIMENSION IN MM. DO NOT SCALE THE DRAWING FOLLOW WRITTEN DIMENSIONS.
 2. WORK TO COMMENCE AFTER THE SITE BOUNDARIES HAVE BEEN IDENTIFIED AND EARMARKED AT SITE AS PER SURVEY DRAWING.
 3. ANY DISCREPANCY IN THE DRAWING NOTICED SHALL BE BROUGHT TO THE ATTENTION OF THE LANDSCAPE ARCHITECT AND RESOLVED AS SOON AS POSSIBLE BUT PRIOR TO THE PROCUREMENT/EXECUTION OF WORKS.
 4. STRUCTURAL DETAILS AS PER STRUCTURALCONSULTANT.

- NOTES:-**
1. All Trees Girth = 1M to 2M
 2. All Electric Poles & Light Poles are 9 M high
 3. All Sign Boards height is 10 M and More.
 4. Height of Boundary Walls are 1.5 M
 5. Height of Sapt Rishi Ashram Building is 6 M including Dome on top
 6. Height of Ram Kurji Ashram is 12 M (3 Storey building)
 7. Height of all buildings other than specifically mentioned is 3.5 M

LEGEND

F.R.L	FINISHED ROAD LEVEL
F.F.L	FINISHED FLOOR LEVEL
F.G.L	FINISHED GROUND LEVEL
T.O.B	TOP OF BENCH
T.O.C	TOP OF COPING
T.O.PL	TOP OF PLANTER
T.O.S	TOP OF SLAB
T.O.T	TOP OF TRELLIS
T.O.W	TOP OF WALL
T.O.P	TOP OF PARAPET
T.O.PR	TOP OF PROJECTION

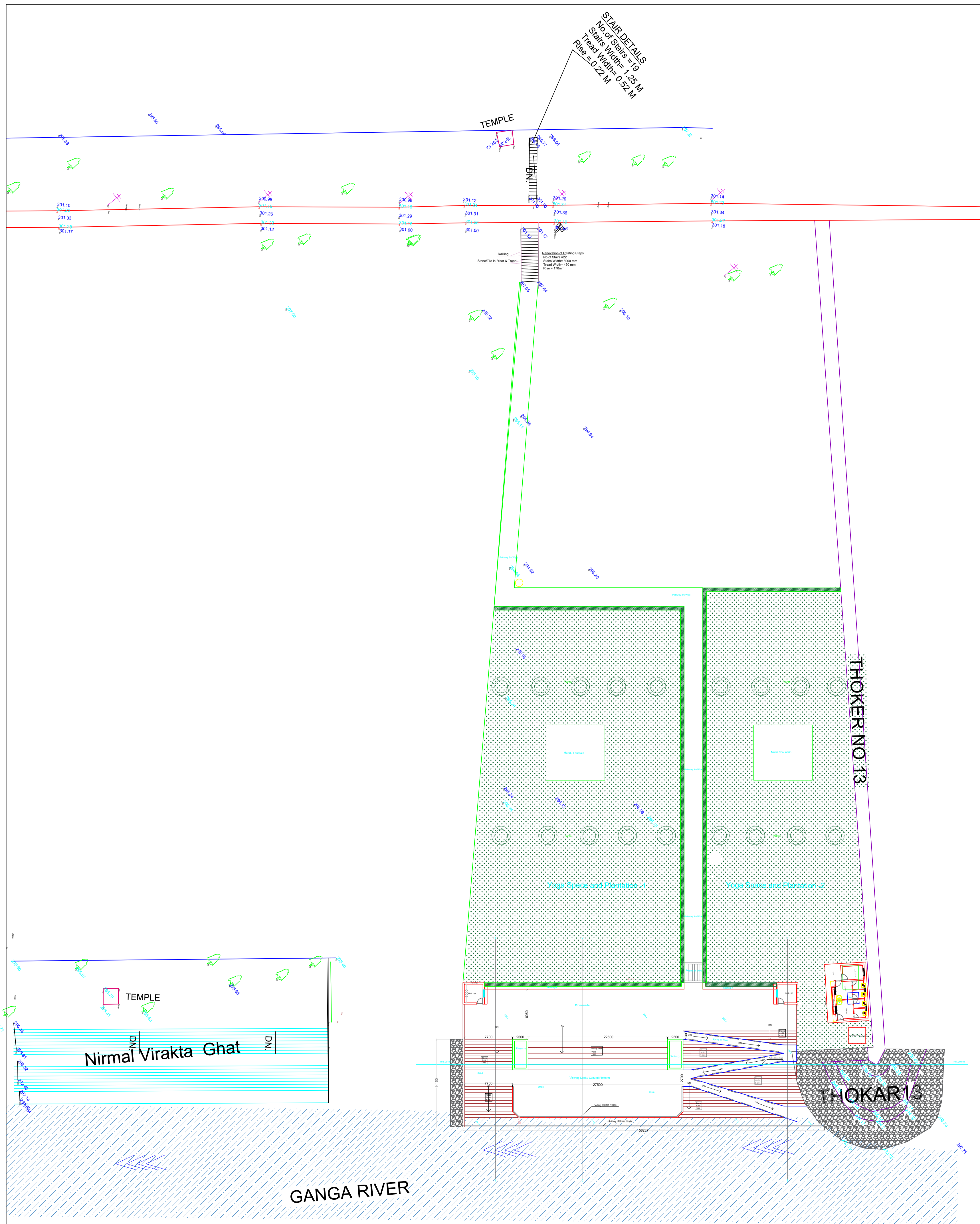
WAPCOS LIMITED
(A GOVERNMENT OF INDIA UNDERTAKING)

PROJECT TITLE :
Akhand Param Dham Ghat, Haridwar.

DRAWING TITLE:
Topographical Plan

DRAWING No:
DWG No-TDWG-01

THIS DRAWING IS THE PROPERTY OF WAPCOS LTD. NO PART OF THE DRAWING MAY BE REPRODUCED IN ANY MANNER WHATSOEVER WITHOUT PERMISSION FROM WAPCOS LTD.



- NOTES:**
1. ALL DIMENSION IN MM, DO NOT SCALE THE DRAWING FOLLOW WRITTEN DIMENSIONS.
 2. WORK TO COMMENCE AFTER THE SITE BOUNDARIES HAVE BEEN IDENTIFIED AND EARMARKED AT SITE AS PER SURVEY DRAWING.
 3. ANY DISCREPANCY IN THE DRAWING NOTED/NOTICES SHALL BE BROUGHT TO THE ATTENTION OF THE LANDSCAPE ARCHITECT AND RESOLVED AS SOON AS POSSIBLE BUT PRIOR TO THE PROCUREMENT/EXECUTION OF WORKS.
 4. STRUCTURAL DETAILS AS PER STRUCTURAL CONSULTANT.

LEGEND

F.R.L	FINISHED ROAD LEVEL
F.F.L	FINISHED FLOOR LEVEL
F.G.L	FINISHED GROUND LEVEL
T.O.B	TOP OF BENCH
T.O.C	TOP OF COPING
T.O.PL	TOP OF PLANTER
T.O.S	TOP OF SLAB
T.O.T	TOP OF TRELLIS
T.O.W	TOP OF WALL
T.O.P	TOP OF PARAPET
T.O.PR	TOP OF PROJECTION

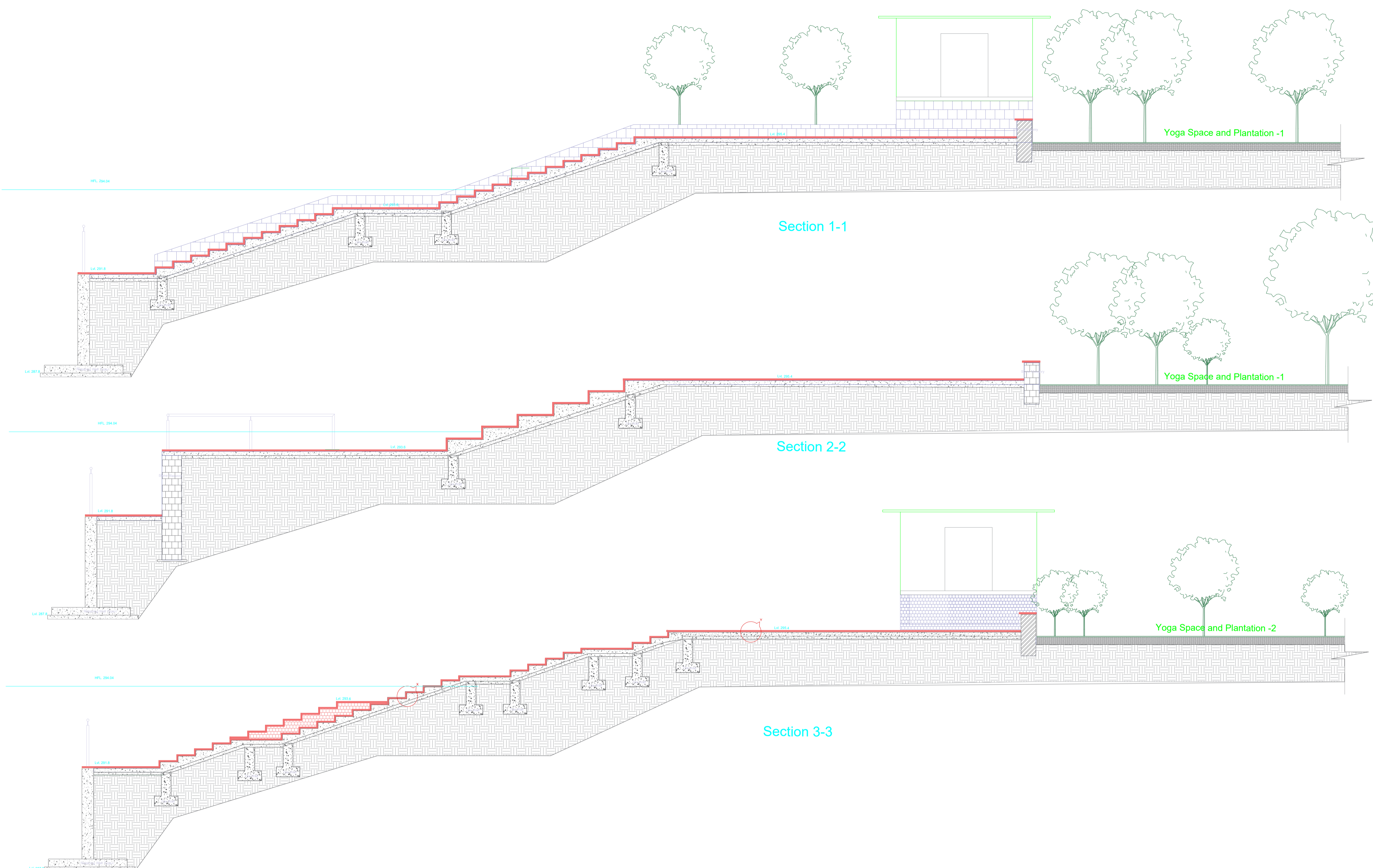
WAPCOS LIMITED
(A GOVERNMENT OF INDIA UNDERTAKING)

PROJECT TITLE:
Akhand Param Dham Ghat, Haridwar.

DRAWING TITLE:
Settingout Plan

DRAWING No:
DWG No - TDWG - 02

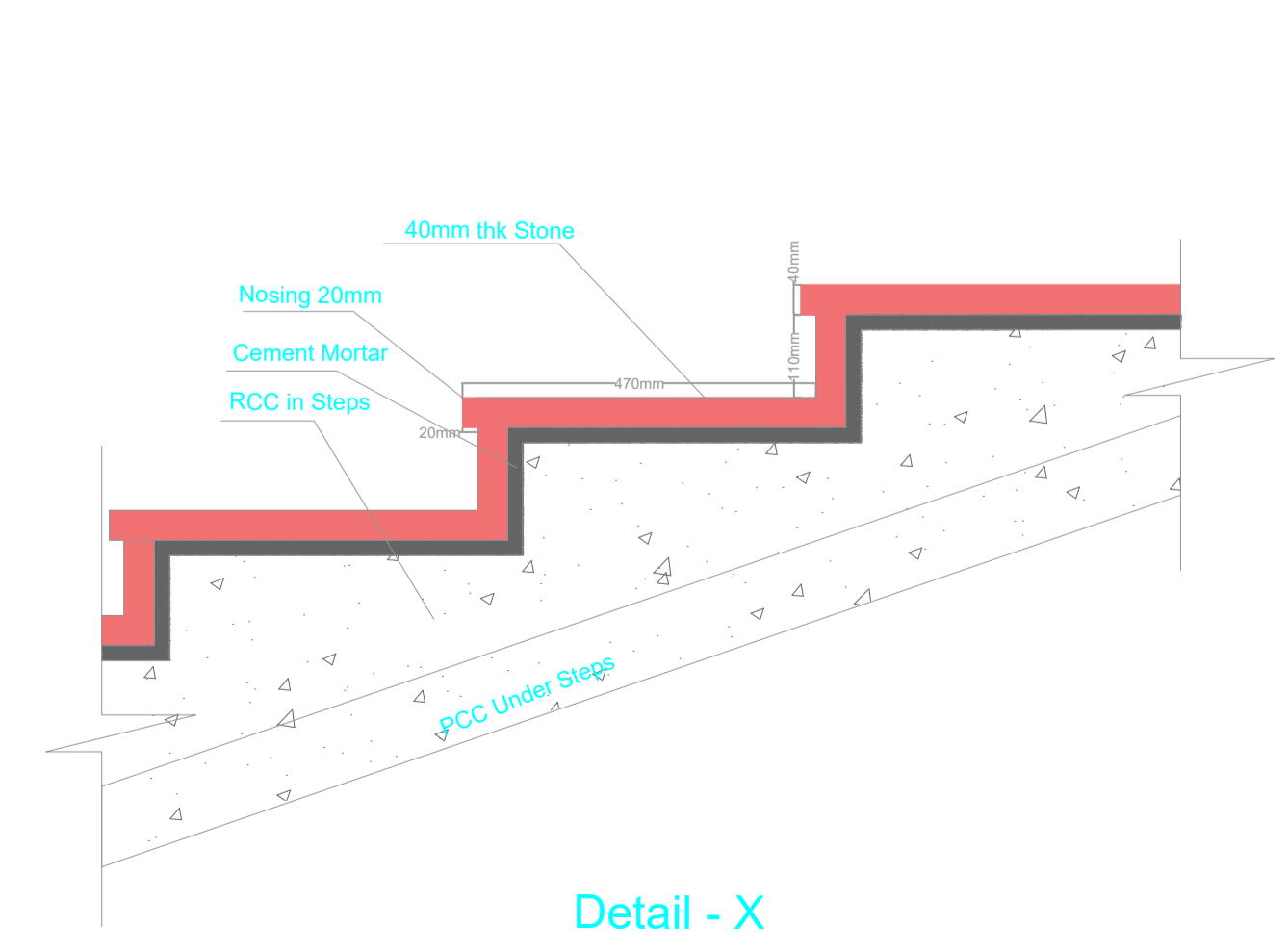
THIS DRAWING IS THE PROPERTY OF WAPCOS LTD. NO PART OF THE DRAWING MAY BE REPRODUCED IN ANY MANNER WHATSOEVER WITHOUT PERMISSION FROM WAPCOS LTD.



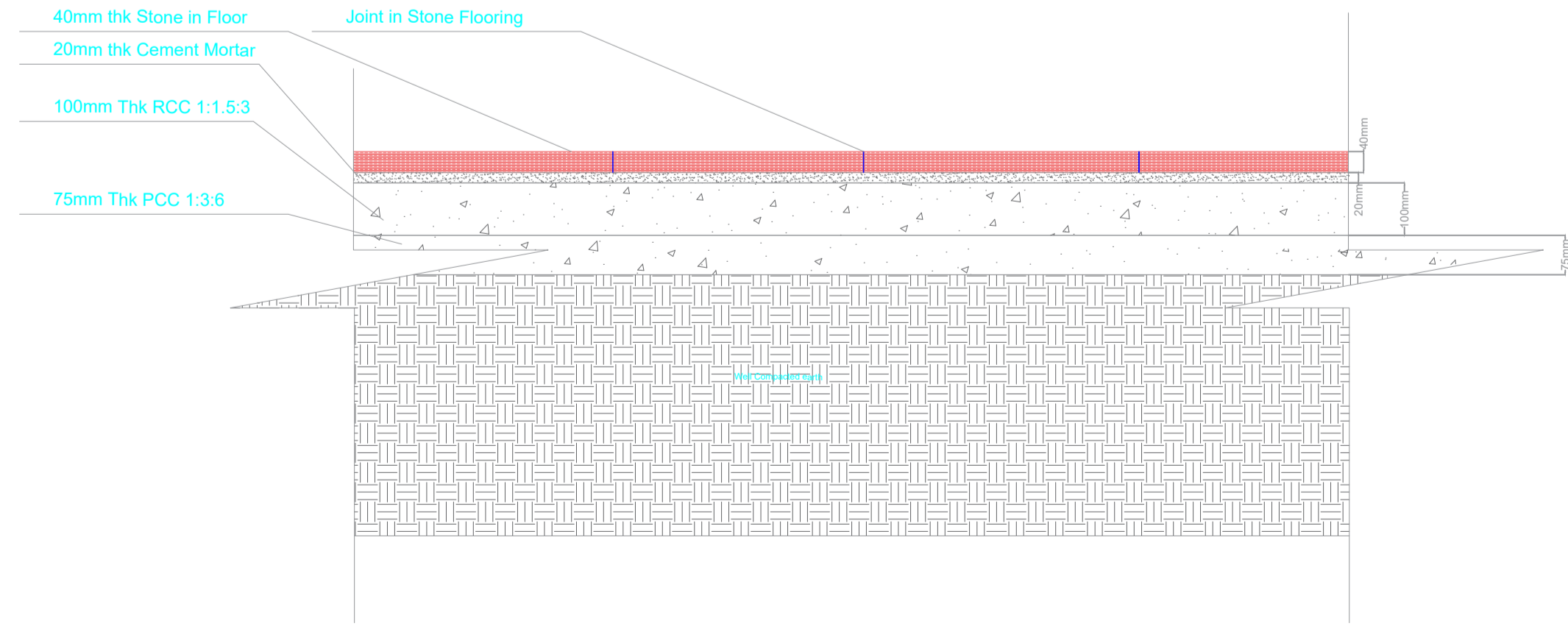
- NOTES:**
1. ALL DIMENSION IN MM. DO NOT SCALE THE DRAWING FOLLOW WRITTEN DIMENSIONS.
 2. WORK TO COMMENCE AFTER THE SITE BOUNDARIES HAVE BEEN IDENTIFIED AND EARMARKED AT SITE AS PER SURVEY DRAWING.
 3. ANY DISCREPANCY IN THE DRAWING NOTED/NOTICED SHALL BE BROUGHT TO THE ATTENTION OF THE LANDSCAPE ARCHITECT AND RESOLVED AS SOON AS POSSIBLE BUT PRIOR TO THE PROCUREMENT/EXECUTION OF WORKS.
 4. STRUCTURAL DETAILS AS PER STRUCTURAL CONSULTANT.

LEGEND


F.R.L	FINISHED ROAD LEVEL
F.F.L	FINISHED FLOOR LEVEL
F.G.L	FINISHED GROUND LEVEL
T.O.B	TOP OF BENCH
T.O.C	TOP OF COPING
T.O.PL	TOP OF PLANTER
T.O.S	TOP OF SLAB
T.O.T	TOP OF TRELLIS
T.O.W	TOP OF WALL
T.O.P	TOP OF PARAPET
T.O.PR	TOP OF PROJECTION



Detail - X



Detail - Y

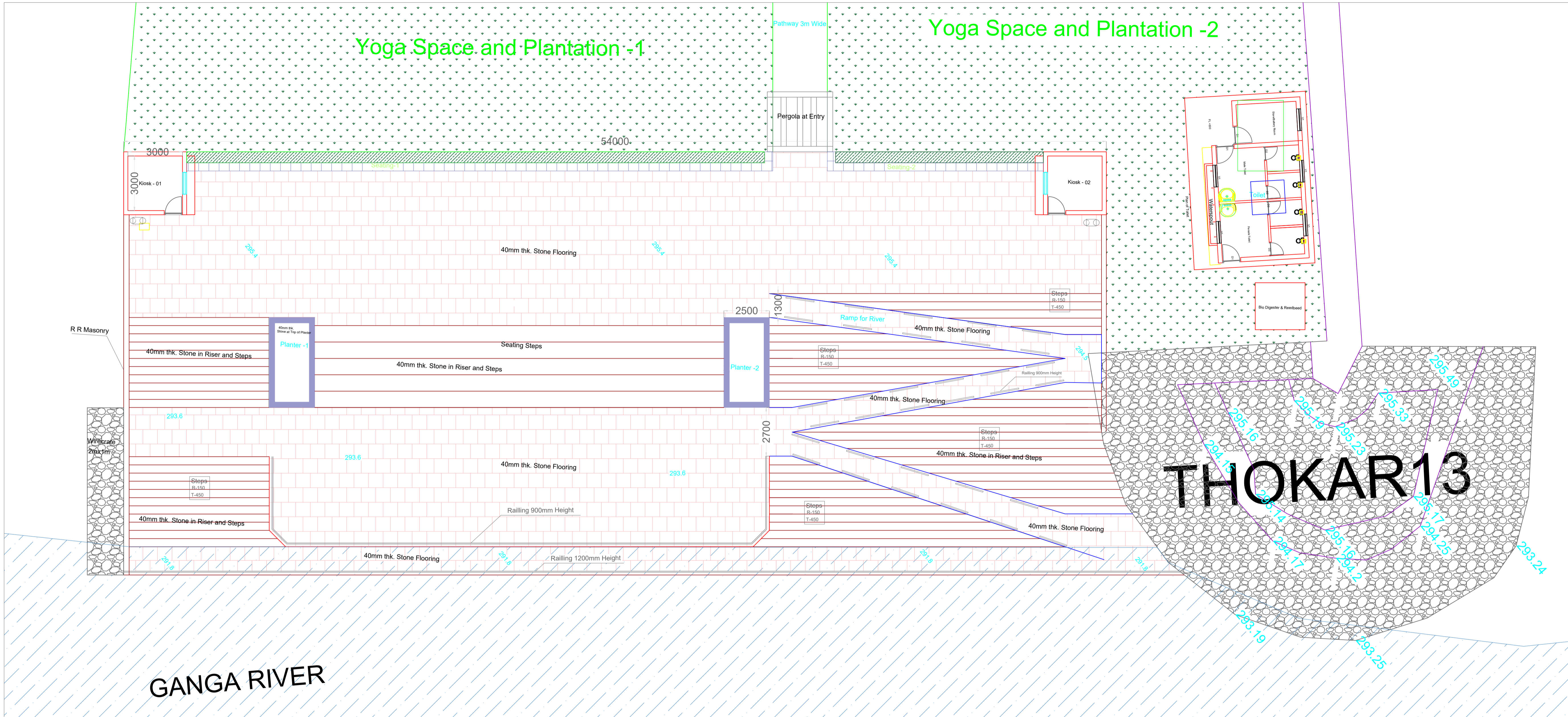

WAPCOS LIMITED
 (A GOVERNMENT OF INDIA UNDERTAKING)

PROJECT TITLE :
Akhand Param Dham Ghat, Haridwar.

DRAWING TITLE:
SECTION-1, 2 & 3

DRAWING No:
 DWG No-TDWG-03

THIS DRAWING IS THE PROPERTY OF WAPCOS LTD. NO PART OF THE DRAWING MAY BE REPRODUCED IN ANY MANNER WHATSOEVER WITHOUT PERMISSION FROM WAPCOS LTD.



- NOTES:**
1. ALL DIMENSION IN MM, DO NOT SCALE THE DRAWING FOLLOW WRITTEN DIMENSIONS.
 2. WORK TO COMMENCE AFTER THE SITE BOUNDARIES HAVE BEEN IDENTIFIED AND EARMARKED AT SITE AS PER SURVEY DRAWING.
 3. ANY DISCREPANCY IN THE DRAWING NOTED/NOTICED SHALL BE BROUGHT TO THE ATTENTION OF THE LANDSCAPE ARCHITECT AND RESOLVED AS SOON AS POSSIBLE BUT PRIOR TO THE PROCUREMENT/EXECUTION OF WORKS.
 4. STRUCTURAL DETAILS AS PER STRUCTURAL CONSULTANT.

LEGEND

F.R.L	FINISHED ROAD LEVEL
F.F.L	FINISHED FLOOR LEVEL
F.G.L	FINISHED GROUND LEVEL
T.O.B	TOP OF BENCH
T.O.C	TOP OF COPING
T.O.PL	TOP OF PLANTER
T.O.S	TOP OF SLAB
T.O.T	TOP OF TRELIS
T.O.W	TOP OF WALL
T.O.P	TOP OF PARAPET
T.O.PR	TOP OF PROJECTION

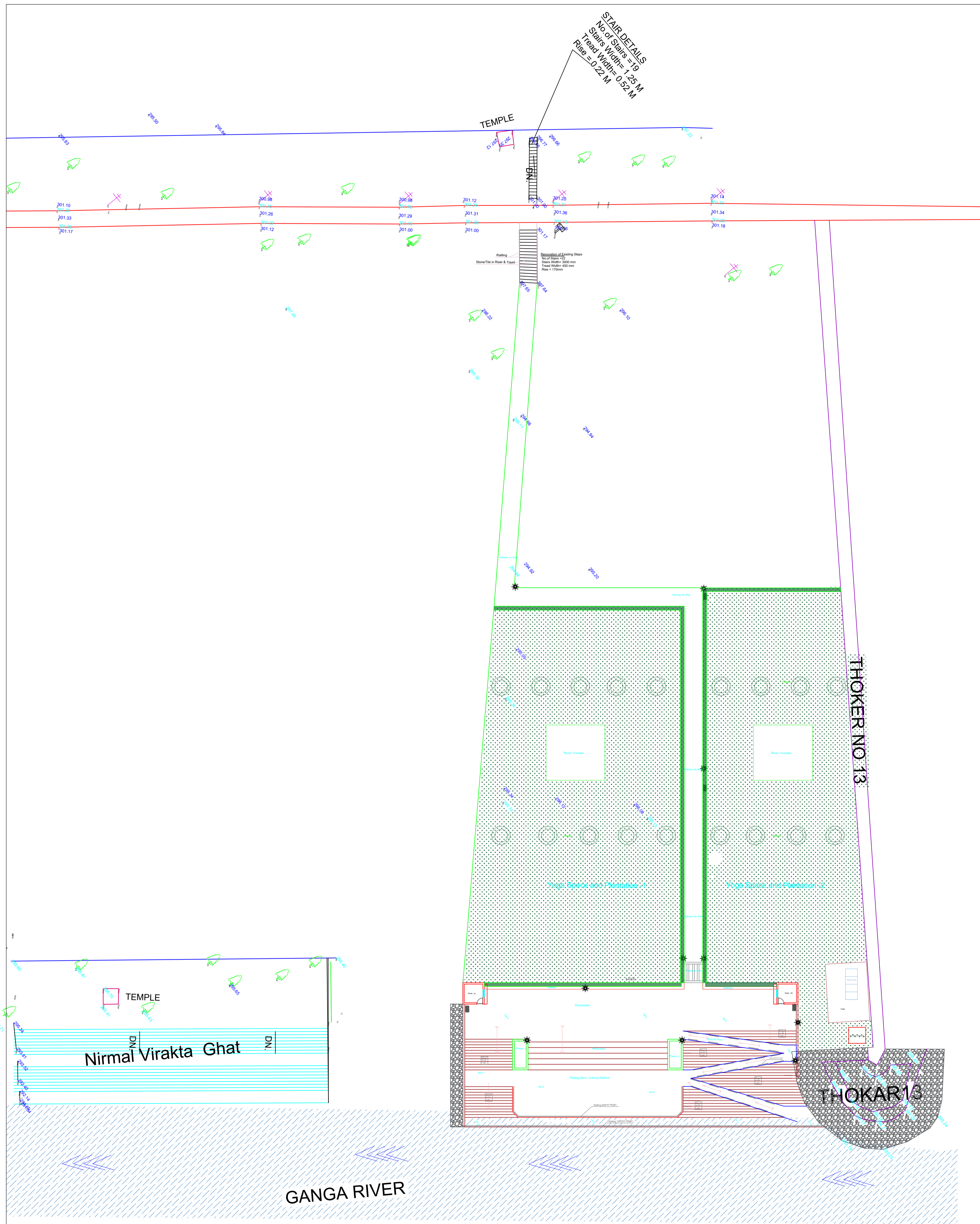
WAPCOS LIMITED
(A GOVERNMENT OF INDIA UNDERTAKING)

PROJECT TITLE:
Akhand Param Dham Ghat, Haridwar.

DRAWING TITLE:
Flooring Plan and Elevation

DRAWING No:
DWG No-TDWG-04

THIS DRAWING IS THE PROPERTY OF WAPCOS LTD. NO PART OF THE DRAWING MAY BE REPRODUCED IN ANY MANNER WHATSOEVER WITHOUT PERMISSION FROM WAPCOS LTD.



Symbol	Meaning
⚡	Lightning Rod
★	Lightning Protection Symbol

- NOTES:**
1. ALL DIMENSION IN MM, DO NOT SCALE THE DRAWING FOLLOW WRITTEN DIMENSIONS.
 2. WORK TO COMMENCE AFTER THE SITE BOUNDARIES HAVE BEEN IDENTIFIED AND EARMARKED AT SITE AS PER SURVEY DRAWING.
 3. ANY DISCREPANCY IN THE DRAWING NOTICED/NOTICES SHALL BE BROUGHT TO THE ATTENTION OF THE LANDSCAPE ARCHITECT AND RESOLVED AS SOON AS POSSIBLE BUT PRIOR TO THE PROCUREMENT/EXECUTION OF WORKS.
 4. STRUCTURAL DETAILS AS PER STRUCTURAL CONSULTANT.

LEGEND

F.R.L	FINISHED ROAD LEVEL
F.F.L	FINISHED FLOOR LEVEL
F.G.L	FINISHED GROUND LEVEL
T.O.B	TOP OF BENCH
T.O.C	TOP OF COPING
T.O.PL	TOP OF PLANTER
T.O.S	TOP OF SLAB
T.O.T	TOP OF TRELLIS
T.O.W	TOP OF WALL
T.O.P	TOP OF PARAPET
T.O.PR	TOP OF PROJECTION

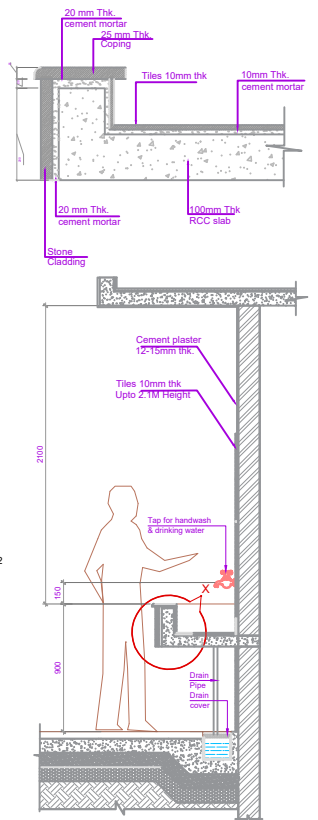
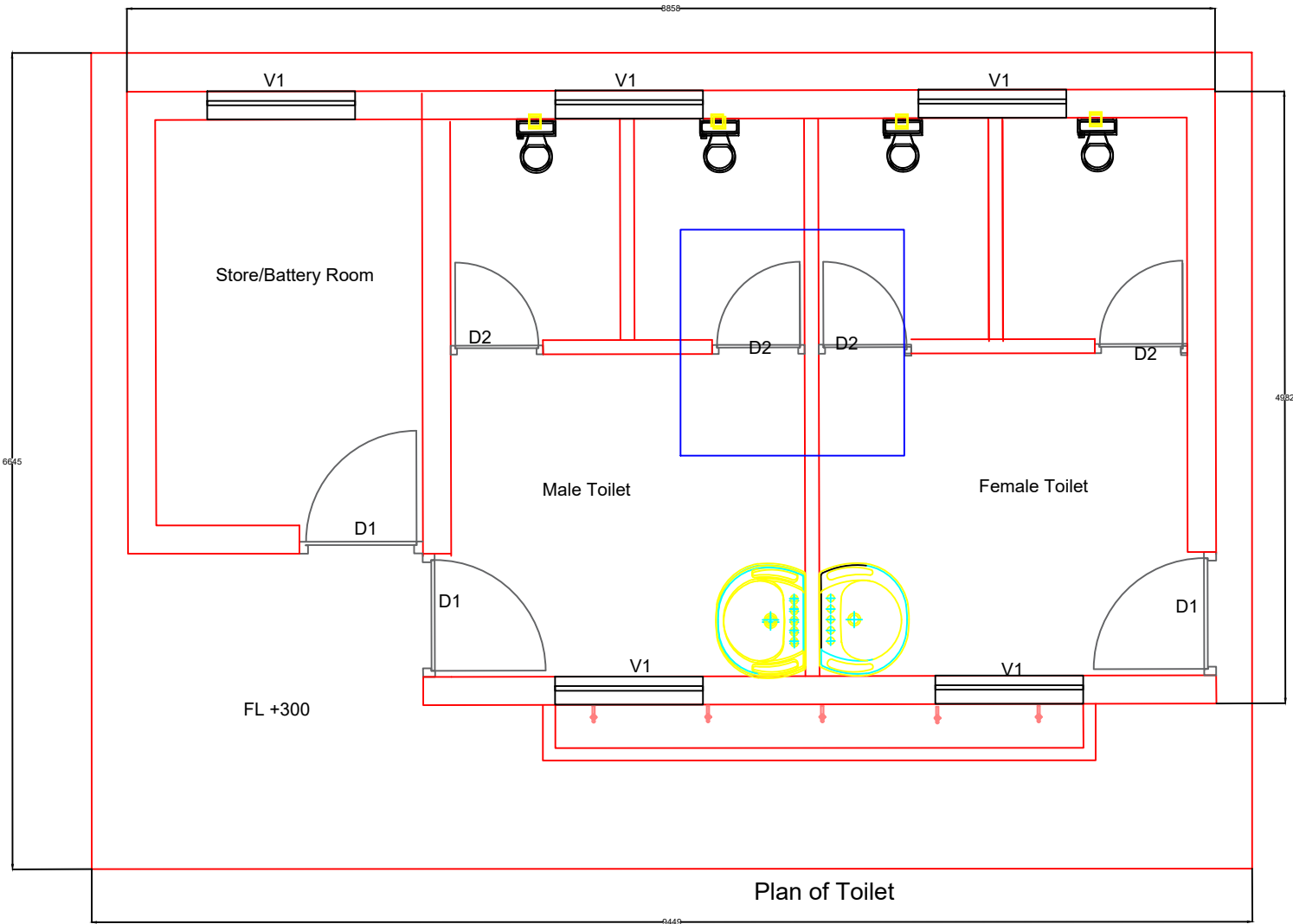
WAPCOS LIMITED
(A GOVERNMENT OF INDIA UNDERTAKING)

PROJECT TITLE:
Akhand Param Dham Ghat, Haridwar.

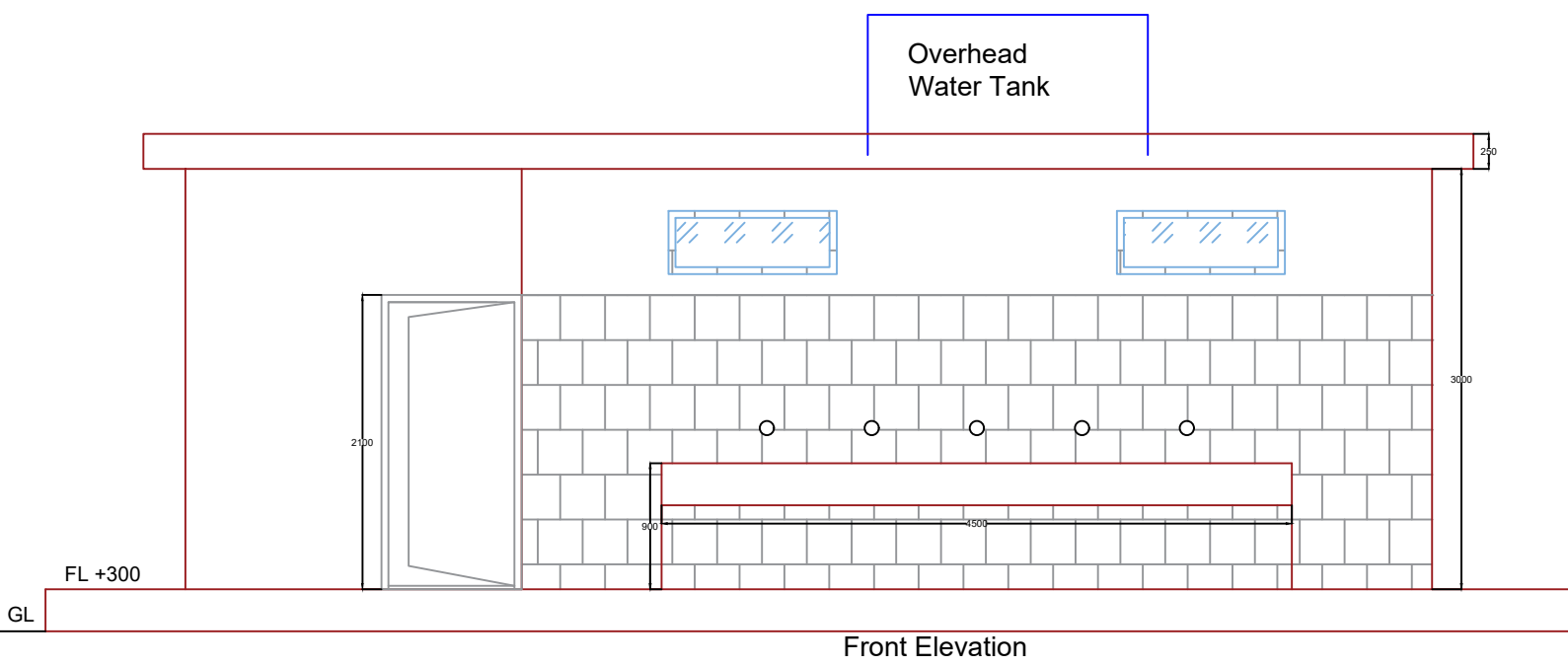
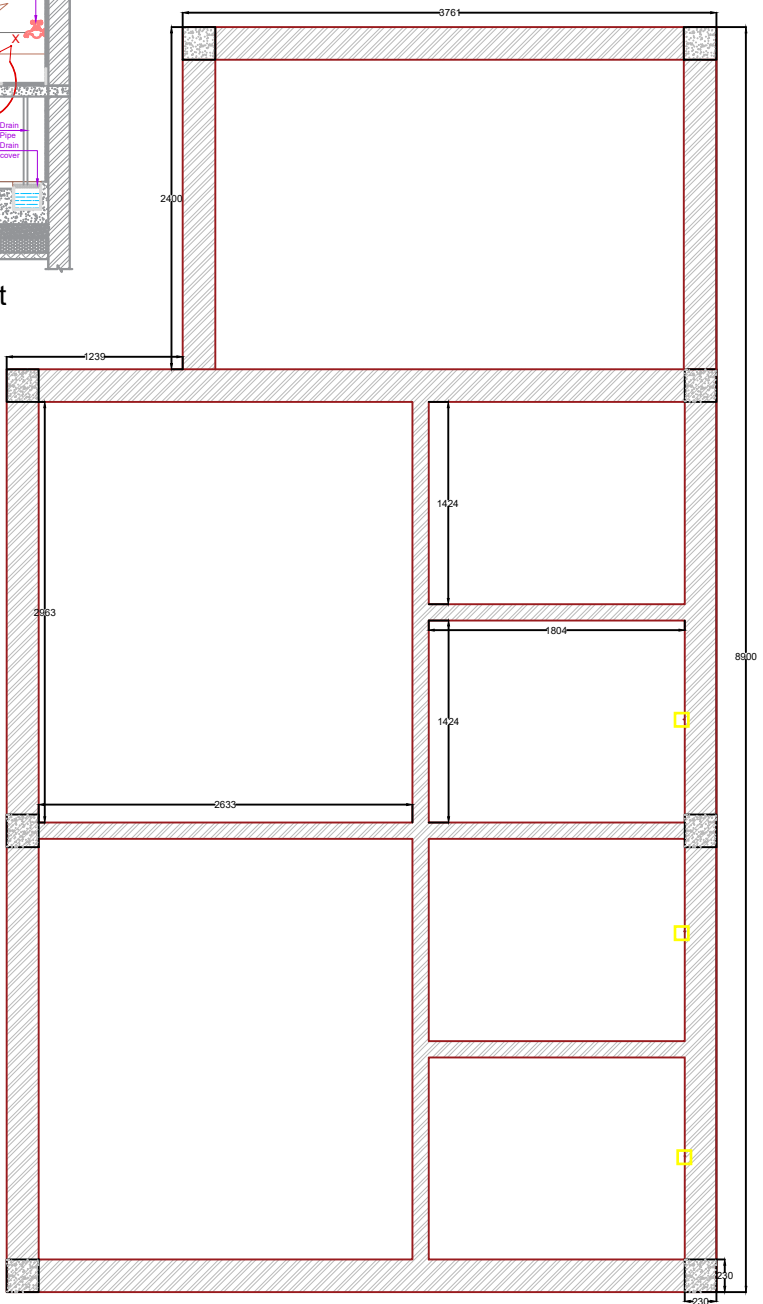
DRAWING TITLE:
Lightning Plan

DRAWING No:
DWG No-TDWG-05

THIS DRAWING IS THE PROPERTY OF WAPCOS LTD. NO PART OF THE DRAWING MAY BE REPRODUCED IN ANY MANNER WHATSOEVER WITHOUT PERMISSION FROM WAPCOS LTD.



Description	Size
Door (D1)	1000x2100
Door (D2)	750x2100
Ventilator (V)	1200x450



- NOTES:**
1. ALL DIMENSION IN MM, DO NOT SCALE THE DRAWING FOLLOW WRITTEN DIMENSIONS.
 2. WORK TO COMMENCE AFTER THE SITE BOUNDARIES HAVE BEEN IDENTIFIED AND EARMARKED AT SITE AS PER SURVEY DRAWING.
 3. ANY DISCREPANCY IN THE DRAWING NOTED/NOTICED SHALL BE BROUGHT TO THE ATTENTION OF THE LANDSCAPE ARCHITECT AND RESOLVED AS SOON AS POSSIBLE BUT PRIOR TO THE PROCUREMENT/EXECUTION OF WORKS.
 4. STRUCTURAL DETAILS AS PER STRUCTURALCONSULTANT.

LEGEND

F.R.L	FINISHED ROAD LEVEL
F.F.L	FINISHED FLOOR LEVEL
F.G.L	FINISHED GROUND LEVEL
T.O.B	TOP OF BENCH
T.O.C	TOP OF COPING
T.O.PL	TOP OF PLANTER
T.O.S	TOP OF SLAB
T.O.T	TOP OF TRELLIS
T.O.W	TOP OF WALL
T.O.P	TOP OF PARAPET
T.O.PR	TOP OF PROJECTION

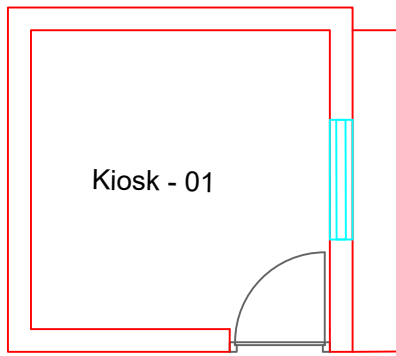
WAPCOS LIMITED
(A GOVERNMENT OF INDIA UNDERTAKING)

PROJECT TITLE:
Akhand Param Dham Ghat, Haridwar.

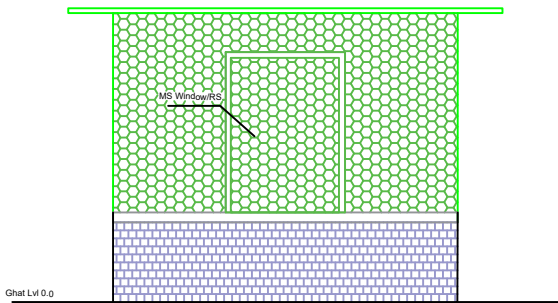
DRAWING TITLE:
Toilet Detail

DRAWING No:
DWG No-TDWG-06

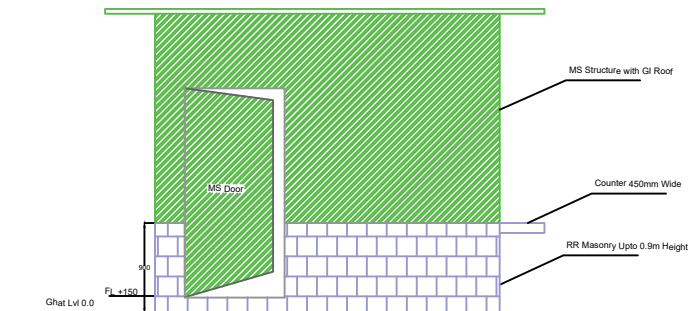
THIS DRAWING IS THE PROPERTY OF WAPCOS LTD. NO PART OF THE DRAWING MAY BE REPRODUCED IN ANY MANNER WHATSOEVER WITHOUT PERMISSION FROM WAPCOS LTD.



Description	Size
Door	1000x2100
Window	900x1200



Elevation 2



Elevation 2

- NOTES:**
1. ALL DIMENSION IN MM. DO NOT SCALE THE DRAWING FOLLOW WRITTEN DIMENSIONS.
 2. WORK TO COMMENCE AFTER THE SITE BOUNDARIES HAVE BEEN IDENTIFIED AND EARMARKED AT SITE AS PER SURVEY DRAWING.
 3. ANY DISCREPANCY IN THE DRAWING NOTED/NOTICED SHALL BE BROUGHT TO THE ATTENTION OF THE LANDSCAPE ARCHITECT AND RESOLVED AS SOON AS POSSIBLE BUT PRIOR TO THE PROCUREMENT/EXECUTION OF WORKS.
 4. STRUCTURAL DETAILS AS PER STRUCTURALCONSULTANT.

LEGEND

F.R.L	FINISHED ROAD LEVEL
F.F.L	FINISHED FLOOR LEVEL
F.G.L	FINISHED GROUND LEVEL
T.O.B	TOP OF BENCH
T.O.C	TOP OF COPING
T.O.PL	TOP OF PLANTER
T.O.S	TOP OF SLAB
T.O.T	TOP OF TRELLIS
T.O.W	TOP OF WALL
T.O.P	TOP OF PARAPET
T.O.PR	TOP OF PROJECTION



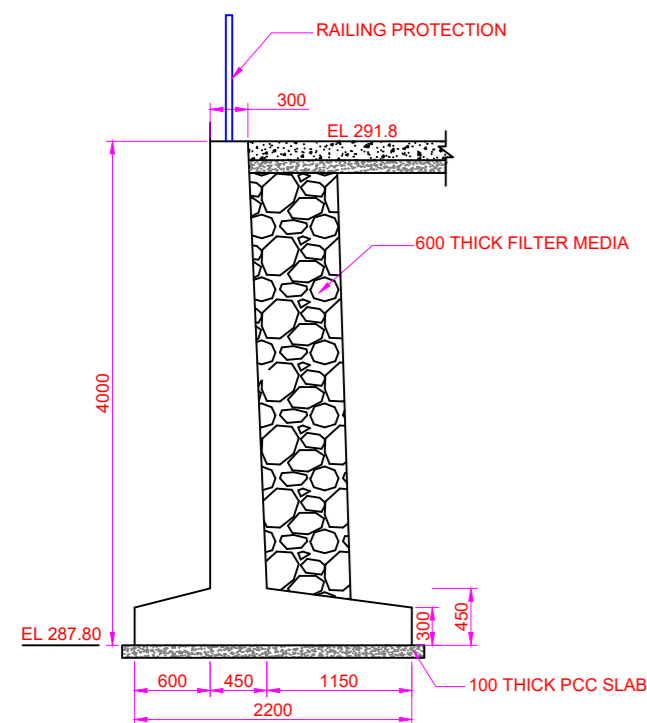
WAPCOS LIMITED
(A GOVERNMENT OF INDIA
UNDERTAKING)

PROJECT TITLE:
Akhand Param Dham Ghat, Haridwar.

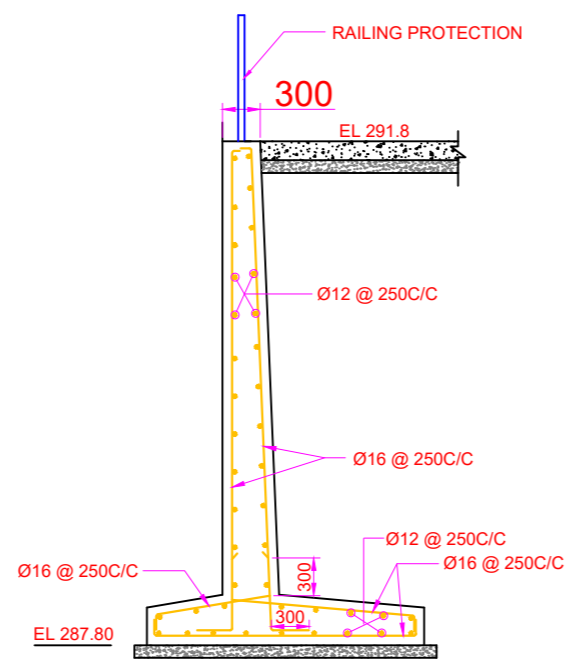
DRAWING TITLE:
Kiosk Details

DRAWING No:
DWG No-TDWG-07

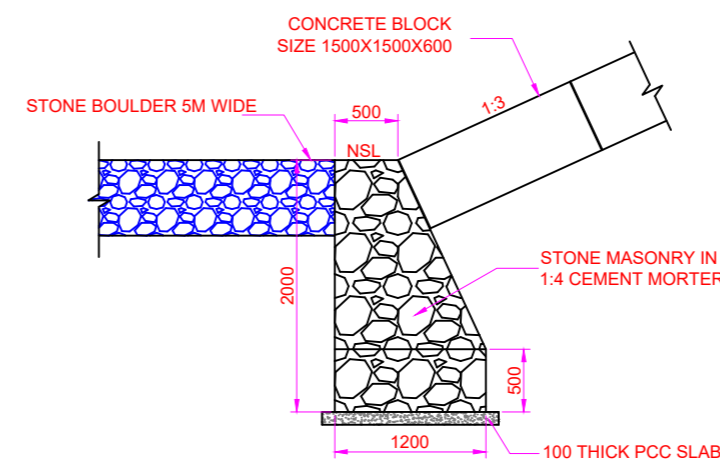
THIS DRAWING IS THE PROPERTY OF WAPCOS LTD. NO PART OF THE DRAWING MAY BE REPRODUCED IN ANY MANNER WHATSOEVER WITHOUT PERMISSION FROM WAPCOS LTD.



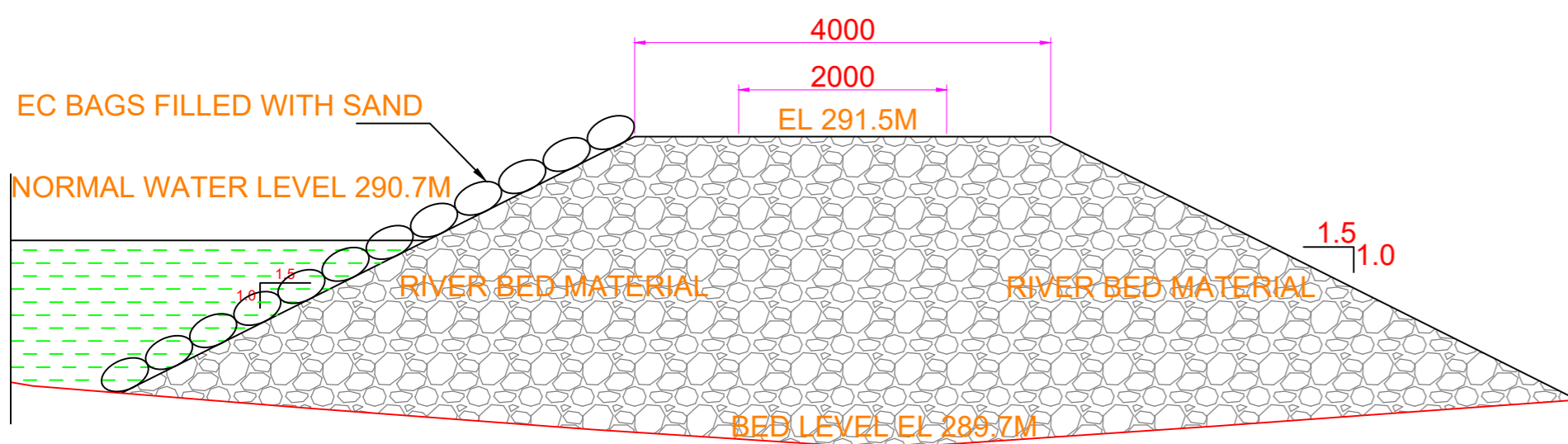
RETAINING WALL TYPE - I



RETAINING WALL TYPE - I

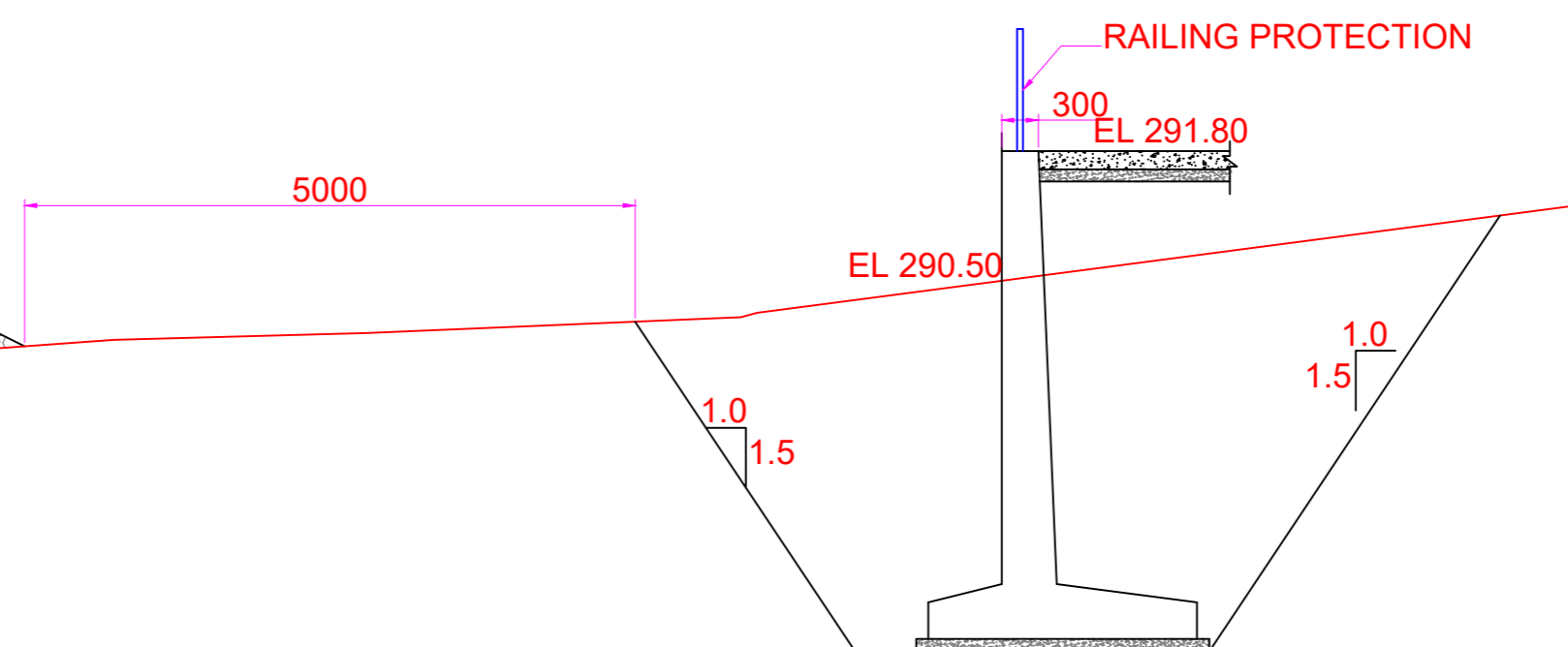


GENERAL ARRANGEMENT FOR TOE WALL



SECTION FOR EMBANKMENT DRAWINGS

TYPICAL ARRANGEMENT FOR DIVERSION WORK



EXCAVATION FOR RETAINING WALL

NOTES:

1. ALL DIMENSION IN MM, DO NOT SCALE THE DRAWING FOLLOW WRITTEN DIMENSIONS.
2. WORK TO COMMENCE AFTER THE SITE BOUNDARIES HAVE BEEN IDENTIFIED AND EARMARKED AT SITE AS PER SURVEY DRAWING.
3. ANY DISCREPANCY IN THE DRAWING NOTED/NOTICED SHALL BE BROUGHT TO THE ATTENTION OF THE LANDSCAPE ARCHITECT AND RESOLVED AS SOON AS POSSIBLE BUT PRIOR TO THE PROCUREMENT/EXECUTION OF WORKS.
4. STRUCTURAL DETAILS AS PER STRUCTURALCONSULTANT.

LEGEND

F.R.L	FINISHED ROAD LEVEL
F.F.L	FINISHED FLOOR LEVEL
F.G.L	FINISHED GROUND LEVEL
T.O.B	TOP OF BENCH
T.O.C	TOP OF COPING
T.O.PL	TOP OF PLANTER
T.O.S	TOP OF SLAB
T.O.T	TOP OF TRELIS
T.O.W	TOP OF WALL
T.O.P	TOP OF PARAPET
T.O.PR	TOP OF PROJECTION



WAPCOS LIMITED
(A GOVERNMENT OF INDIA
UNDERTAKING)

PROJECT TITLE :
Akhand Param Dham Ghat, Haridwar.

DRAWING TITLE:
Retaining Wall Type-I

DRAWING No:
DWG No-TDWG-08

THIS DRAWING IS THE PROPERTY OF WAPCOS LTD.
NO PART OF THE DRAWING MAY BE REPRODUCED IN
ANY MANNER WHATSOEVER WITHOUT PERMISSION
FROM WAPCOS LTD.