



(A Government of India Undertaking–Ministry of Jal Shakti)

**WAPCOS Limited**

**(A Government of India Undertaking- Ministry of Jal Shakti)**

Ropeways Division, 2nd Floor, Plot No. - 62,

Institutional Area, Sector-18, Gurgaon – 122015 (Haryana)

Phone: 0124-2977225

Email: ropeways@wapcos.co.in

## **TENDER DOCUMENT FOR**

# **RENOVATION OF EXISTING STROM WATER DRAIN NETWORK & PROVISION OF STP WITH SEWERAGE NETWORK AT MTPF AMBERNATH, MAHARASHTRA**

**WAP/ROPEWAYS/2024-25/10**

**Date: 25/02/2025**

**TABLE OF CONTENT**

<b>TECHNICAL BID</b>	
<b>VOLUME – I</b>	
<b>SECTION</b>	<b>PARTICULAR</b>
	NOTICE INVITING TENDER
<b>SECTION I</b>	INSTRUCTIONS TO BIDDER
<b>SECTION II</b>	SELECTION AND QUALIFYING CRITERIA
<b>SECTION III</b>	GENERAL CONDITIONS OF CONTRACT
<b>SECTION IV</b>	SPECIAL CONDITIONS OF CONTRACT
<b>SECTION V</b>	<b>ANNEXURES</b>
	ANNEXURE - I      FORMAT FOR PERFORMANCE SECURITY
	ANNEXURE - II     FORMAT FOR ADVANCE PAYMENT BANK GUARANTEE
	ANNEXURE - III    FORMAT FOR INDENTURE FOR SECURED ADVANCES
	ANNEXURE - IV    FORMAT FOR SEEKING EXTENSION OF TIME
	ANNEXURE - V     FORMAT FOR GUARANTEE BONDS / AFFIDAVIT FOR WORK
	ANNEXURE - VI    FORMAT FOR GUARANTEE BOND FOR WATER PROOFING TREATMENT
	ANNEXURE - VII   FORMAT FOR GUARANTEE BONDS FOR ANTI-TERMITE TREATMENT
	ANNEXURE - VIII  FORMAT FOR SAFETY CODES
	ANNEXURE - IX    FORMAT FOR MODEL RULES FOR THE PROTECTION OF HEALTH AND SANITARY ARRANGEMENTS
	ANNEXURE - X     FORMAT FOR CONTRACTOR'S LABOUR REGULATIONS
	ANNEXURE - XI    FORMAT FOR BANK GUARANTEE FORMAT FOR EMD
<b>SECTION VI</b>	<b>FORMS</b>
	LETTER OF TRANSMITTAL
	FORM A : FINANCIAL INFORMATION
	FORM B : STRUCTURE & ORGANISATION
	FORM C : NO CONVICTION CERTIFICATE
	FORM D : UNDERSTANDING THE PROJECT SITE
	FORM E : NO DEVIATION CERTIFICATE
	FORM F : INTEGRITY PACT
	FORM G: FORMAT FOR LITIGATION HISTORY, LIQUIDATED DAMAGES, DISQUALIFICATION
	FORM H : UNDERTAKING REGARDING BLACKLISTING / NON DEBARMENT
	FORM I : FORMAT FOR SOLVENCY CERTIFICATE
	FORM J : DETAILS OF SIMILAR WORKS EXECUTED DURING LAST 07 YEAR MEETING THE MINIMUM ELIGIBILITY CRITERIA
	FORM-K : NON-DISCLOSURE AGREEMENT (NDA)
	FORM-L : UNDERTAKING FOR RESTRICTION UNDER RULE 144(XI) OF GFRs
<b>SECTION VII</b>	<b>SCOPE OF WORK</b>
<b>SECTION VIII</b>	<b>TENDER DRAWINGS OF THE PROJECT</b>
<b>VOLUME - II</b>	
<b>FINANCIAL BID</b>	
<b>SECTION IX</b>	<b>FINANCIAL PROPOSAL</b>
	LETTER OF TRANSMITTAL
	SUMMARY OF COST



(A Government of India Undertaking–Ministry of Jal Shakti)

**WAPCOS Limited**

**(A Government of India Undertaking- Ministry of Jal Shakti)**

Ropeways Division, 2nd Floor, Plot No.- 62,  
Institutional Area, Sector-18, Gurgaon – 122015 (Haryana)

Phone: 0124-2977225

Email: ropeways@wapcos.co.in

**(A Government of India Undertaking- Ministry of Jal Shakti)**

**RENOVATION OF EXISTING STROM WATER DRAIN NETWORK  
& PROVISION OF STP WITH SEWERAGE NETWORK AT MTPF  
AMBERNATH, MAHARASHTRA**

---

**E-NOTICE INVITING TENDER (NIT)**

---

**NOTICE INVITING TENDER (NIT)****NIT No. WAP/ROPEWAYS/2024-25/10****Dated: 25/02/2025**

WAPCOS Limited (A Govt. of India Undertaking) invites “**Online Electronic Tenders**” Item rate mode” from experienced and competent bidders, meeting prescribed qualifying criteria as mentioned in tender document.

1.	Name of Work / Project	:	Renovation of Existing Storm Water Drainage & Provision of STP at MTPF AVNL, Ambernath, Maharashtra.
2.	Site / Location	:	Ambernath, Maharashtra
3.	Website for viewing tender	:	<a href="http://www.wapcos.co.in">www.wapcos.co.in</a>
4.	Website for Registration/ uploading of Tender and also viewing of Corrigendum/ Addendum, if any.	:	<a href="http://www.etenders.gov.in/eprocure">www.etenders.gov.in/eprocure</a>
5.	Estimated Cost of Work	:	Rs.10.95 Crore (Inclusive of all taxes exclusive GST)
6.	Joint Venture	:	Joint Ventures / Consortia of firms shall not be allowed
7.	Cost of Tender Document	:	Rs. 5,000/- (in form of Demand Draft/Online Transfer in favour of WAPCOS LIMITED payable at Gurugram)
8.	Amount of Earnest Money Deposit	:	Rs. 20,95,002 /- (in form of Demand Draft/Bank Guarantee/FDR in favour of WAPCOS LIMITED payable at Gurugram)
9.	Solvency Certificate	:	40% of Estimated Cost of Work above (in original) from a Nationalized/Scheduled Commercial Bank approved by Reserve Bank of India (RBI). The Certificate shall have been issued after the publication of NIT.
10.	Project Completion Period	:	12 Months from the Date of Award which must be strictly adhered by the contractor
11.	Validity of Bid/Tender	:	120 Days
12.	Defect Liability Period	:	<i>One (1) years from the date of successful completion of each component of the project and handing over to WAPCOS/AVNL, Ambernath with all satisfaction &amp; acceptance along with submission of all the required documents i.e. As- built drawings, Inventory list, guarantee / warranty bonds, certificates &amp; invoices of equipment, lock and key of each room and NoCs form various Departments</i>
13.	Pre Bid Meeting	:	07/03/2025 at 15:00 hours to be held in the office Of Chief Scientist-II (Ropeways) OR through Video Conferencing. The details of Video conferencing will be intimated on <a href="http://www.etenders.gov.in/eprocure">www.etenders.gov.in/eprocure</a> on (10th day

		<a href="#">of uploading)</a>
14.	Offline Submission of Technical document, Tender Fees, EMD etc. as detail in Tender for bidders.	19/03/2025 up to 16:00 hours in the office of Chief Scientist, Ropeways Division, WAPCOS Limited Name: WAPCOS LTD Name of Bank: Indian Overseas Bank Branch: NHB, GURUGRAM Account No: 193502000000405 IFSC Code IOBA0001935
15.	Last date & time for online submission of Technical & Financial Bid	18/03/2025 up to 16:00 hours
16.	Online opening of Technical Bid	19/03/2025 at 16:00 hours
17.	Online opening of Financial Bid	Intimated to Technical Qualified Bidders.
18.	WAPCOS Communication address during Tendering and execution of works	Chief Scientist, Ropeways Division, WAPCOS Limited 2nd Floor, Plot No.- 62, Institutional Area, Sector-18, Gurugram – 122015 (Haryana) Phone: 0124-2977225 Email: ropeways@wapcos.co.in
If the office of WAPCOS Limited, happens to be closed on the last date and time mentioned for any of the event, the said event will take place on the next working day at the same time and venue.		

- The tender document has to be downloaded from above specified websites. Bidders are advised to visit above specified websites regularly for updates /Amendments/ Corrigendum, if any. The Updates/Corrigendum/Addendum shall be followed up to submission of tender and it will be the part of tender. The full details about the work, specifications, Drawings, terms and conditions shall be available in the Tender Document. The tender document has to be submitted online on websites <https://etender.gov.in>
- The purpose of this NIT is to provide interested Bidders with information to assist the preparation of their bid. While WAPCOS Limited has taken due care in the preparation of the information contained herein, and believe it to be complete and accurate, neither it nor any of its authorities or agencies nor any of its respective officers, employees, agents or advisors give any warranty or make any representations, expressed or implied as to the completeness or accuracy of the information contained in this document or any information which may be provided in association with it. The Bidders must read all the terms and conditions of bidding document carefully and only submit the bid, if eligible and in possession of all the documents required. Corrigendum while all efforts have been made to avoid errors in the drafting of the tender documents, the Bidder is advised to check the same carefully. No claim on account of any errors detected in the tender documents shall be entertained.
- Further, WAPCOS Limited does not claim that the information is exhaustive. Respondents to this NIT are required to make their own inquiries/ surveys and will be required to confirm, in writing, that they have done so and they did not rely solely on the information in NIT. WAPCOS Limited is not responsible if no due diligence is performed by the bidders.

**IMPORTANT POINTS**

- 1.1 The bidder should be an Indian Registered Company under Companies Act 1956/ 2013/Proprietorship Firm/ Partnership Firm.
- 1.2 Employer” shall mean “WAPCOS Limited”, A Government of India undertaking- Ministry of Jal Shakti, for execution of the Work / Project and WAPCOS is working as Project Management Consultancy (PMC) “MTPF-AVNL Ambernath, Maharashtra”.
- 1.3 All Bidders are hereby cautioned that Bids containing any deviation or reservation as described in Clauses of “Instructions to Bidders” shall be considered as non-responsive and shall be summarily rejected.
- 1.4 WAPCOS Ltd. reserves the right to accept or reject any or all bids without assigning any reasons. No Bidder shall have any cause of action or claim against the WAPCOS Ltd. For rejection of his Bid and will not be bound to accept the lowest or any other tender.
- 1.5 No reimbursement of cost of any type or on any account will be paid to persons or entities submitting their Bid.
- 1.6 All information submitted in response to this NIT shall be the property of WAPCOS Limited and it shall be free to use the concept of the same at its will.
- 1.7 It is hereby declared that WAPCOS is committed to follow the principle of transparency, equity and competitiveness in public procurement. The subject Notice Inviting Tender (NIT) is an invitation to offer made on the condition that the Bidder will sign the integrity Agreement, which is an integral part of tender/bid documents, failing which the tenderer/bidder will stand disqualified from the tendering process and the bid of the bidder would be summarily rejected. This declaration shall form part and parcel of the Integrity Agreement and signing of the same shall be deemed as acceptance and signing of the Integrity Agreement on behalf of the WAPCOS.

**For and on behalf of WAPCOS LIMITED**  
**Chief Scientist**

## **SECTION- I**

---

### **INSTRUCTIONS TO BIDDER**

---

## **SECTION- I**

### **INSTRUCTIONS TO BIDDER**

#### **1.0 SPECIAL INSTRUCTIONS TO BIDDERS FOR E-TENDERING**

##### **1.1 GENERAL**

Submission of Online Bids is mandatory for this Tender. E-Tendering is a methodology for conducting Public Procurement in a transparent and secured manner. For conducting electronic tendering, bidders shall use the portal [www.etenders.gov.in/eprocure](http://www.etenders.gov.in/eprocure) . Tender is invited in Single Stage -Two Envelope system, one Technical Bid and second as financial bid. Accordingly, bidder is directed to make all formalities and registration on [www.etenders.gov.in/eprocure](http://www.etenders.gov.in/eprocure) website and submit the Technical Bid and Financial bid.

The bidders are required to submit soft copies of their bids electronically on the CPP Portal, using valid Digital Signature Certificates. The instructions given below are meant to assist the bidders in registering on the CPP Portal, prepare their bids in accordance with the requirements and submitting their bids online on the CPP Portal.

More information useful for submitting online bids on the CPP Portal may be obtained at: <https://etenders.gov.in/eprocure/app>.

##### **1.2 REGISTRATION**

- 1) Bidders are required to enroll on the e-Procurement module of the Central Public Procurement Portal (URL: <https://etenders.gov.in/eprocure/app>) by clicking on the link “Online bidder Enrollment” on the CPP Portal which is free of charge.
- 2) As part of the enrolment process, the bidders will be required to choose a unique username and assign a password for their accounts.
- 3) Bidders are advised to register their valid email address and mobile numbers as part of the registration process. These would be used for any communication from the CPP Portal.
- 4) Upon enrolment, the bidders will be required to register their valid Digital Signature Certificate (Class III Certificates with signing key usage) issued by any Certifying Authority recognized by CCA India (e.g. Sify / nCode / eMudhra etc.), with their profile.
- 5) Only one valid DSC should be registered by a bidder. Please note that the bidders are responsible to ensure that they do not lend their DSC’s to others which may lead to misuse.
- 6) Bidder then logs in to the site through the secured log-in by entering their user ID /password and the password of the DSC / e-Token.

##### **1.3 SEARCHING FOR TENDER DOCUMENTS**

- 1) There are various search options built in the CPP Portal, to facilitate bidders to search active tenders by several parameters. These parameters could include Tender ID, Organization Name, Location, Date, Value, etc. There is also an option of advanced search for tenders, wherein the bidders may combine a number of search parameters such as Organization Name, Form of Contract, Location, Date, Other keywords etc. to search for a tender published on the CPP Portal.



- 2) Once the bidders have selected the tenders they are interested in, they may download the required documents / tender schedules. These tenders can be moved to the respective 'My Tenders' folder. This would enable the CPP Portal to intimate the bidders through SMS / e-mail in case there is any corrigendum issued to the tender document.
- 3) The bidder should make a note of the unique Tender ID assigned to each tender, in case they want to obtain any clarification / help from the Helpdesk.

#### 1.4 PREPARATION OF BIDS

- 1) Bidder should take into account any corrigendum published on the tender document before submitting their bids.
- 2) Please go through the tender advertisement and the tender document carefully to understand the documents required to be submitted as part of the bid. Please note the number of covers in which the bid documents have to be submitted, the number of documents - including the names and content of each of the document that need to be submitted. Any deviations from these may lead to rejection of the bid.
- 3) Bidder, in advance, should get ready the bid documents to be submitted as indicated in the tender document / schedule and generally, they can be in PDF / XLS / RAR / DWF/JPG formats. Bid documents may be scanned with 100 dpi with black and white option which helps in reducing size of the scanned document.
- 4) To avoid the time and effort required in uploading the same set of standard documents which are required to be submitted as a part of every bid, a provision of uploading such standard documents (e.g. PAN card copy, annual reports, auditor certificates etc.) has been provided to the bidders. Bidders can use "My Space" or "Other Important Documents" area available to them to upload such documents. These documents may be directly submitted from the "My Space" area while submitting a bid, and need not be uploaded again and again. This will lead to a reduction in the time required for bid submission process.

**Note:** My Documents space is only a repository given to the Bidders to ease the uploading process. If Bidder has uploaded his Documents in My Documents space, this does not automatically ensure these Documents being part of Technical Bid.

#### 1.5 SUBMISSION OF BIDS

- 1) ***Please uninstall any Java version if installed already. Then go to this link <https://eprocure.gov.in/cppp/jre-windows-i586.exe> and download this prescribed version of java for this portal.***
- 2) Bidder should log into the site well in advance for bid submission so that they can upload the bid in time i.e. on or before the bid submission time. Bidder will be responsible for any delay due to other issues.
- 3) Bidder should log into the site well in advance for bid submission so that they can upload the bid in time i.e. on or before the bid submission time. Bidder will be responsible for any delay due to other issues.
- 4) The bidder has to digitally sign and upload the required bid documents one by one as indicated in the tender document.
- 5) Bidder has to select the payment option as "offline/online as applicable" to pay the tender fee/EMD/Bid Security Declaration as applicable and enter details of the instrument.

- 6) Bidder should prepare the EMD/Bid Security Declaration as per the instructions specified in the tender document. The original should be posted/couriered/given in person to the concerned official, latest by the last date of bid submission or as specified in the tender documents. The details of the DD/any other accepted instrument, physically sent, should tally with the details available in the scanned copy and the data entered during bid submission time. Otherwise the uploaded bid will be rejected.
- 7) Bidders are requested to note that they should necessarily submit their financial bids in the format provided and no other format is acceptable. If the price bid has been given as a standard BoQ format with the tender document, then the same is to be downloaded and to be filled by all the bidders. Bidders are required to download the BoQ file, open it and complete the white coloured (unprotected) cells with their respective financial quotes and other details (such as name of the bidder). No other cells should be changed. Once the details have been completed, the bidder should save it and submit it online, without changing the filename. If the BoQ file is found to be modified by the bidder, the bid will be rejected.
- 8) The server time (which is displayed on the bidders' dashboard) will be considered as the standard time for referencing the deadlines for submission of the bids by the bidders, opening of bids etc. The bidders should follow this time during bid submission.
- 9) All the documents being submitted by the bidders would be encrypted using PKI encryption techniques to ensure the secrecy of the data. The data entered cannot be viewed by unauthorized persons until the time of bid opening. The confidentiality of the bids is maintained using the secured Socket Layer 128 bit encryption technology. Data storage encryption of sensitive fields is done. Any bid document that is uploaded to the server is subjected to symmetric encryption using a system generated symmetric key. Further this key is subjected to asymmetric encryption using buyers/bid opener's public keys. Overall, the uploaded tender documents become readable only after the tender opening by the authorized bid openers.
- 10) The uploaded tender documents become readable only after the tender opening by the authorized bid openers.
- 11) Upon the successful and timely submission of bids (i.e. after Clicking "Freeze Bid Submission" in the portal), the portal will give a successful bid submission message & a bid summary will be displayed with the bid no. and the date & time of submission of the bid with all other relevant details.
- 12) The bid summary has to be printed and kept as an acknowledgement of the submission of the bid. This acknowledgement may be used as an entry pass for any bid opening meetings.

#### **1.6 ASSISTANCE TO BIDDERS**

- 1) Any queries relating to the tender document and the terms and conditions contained therein should be addressed to the Tender Inviting Authority for a tender or the relevant contact person indicated in the tender.
- 2) Any queries relating to the process of online bid submission or queries relating to CPP Portal in general may be directed to the 24x7 CPP Portal Helpdesk.  
For any technical related queries please call at 24 x 7 Help Desk Number 0120-4001 002, 0120-4001 005, 0120-4493395

International Bidders are requested to prefix +91 as country code EMail Support: For any Issues or Clarifications relating to the published tenders, bidders are requested to contact the respective Tender Inviting Authority Technical - support-eproc@nic.in Policy Related - cppp-doe@nic.in

## 2.0 INSTRUCTIONS TO BIDDER

The purpose of these instructions to serve as a guide to Bidders for preparing offer for carrying out the project in all respect.

- a) Submission of a tender by a tenderer implies that the tenderer has read this notice and all other Tender Documents and has made himself aware of the scope, the specifications, and conditions of contract, local conditions and other factors having bearings on the execution of the work.
- b) WAPCOS Limited desires that the bidders, suppliers, and Sub-contractors under the Project, observe the highest standard of ethics during the performance, procurement and execution of such contracts. In pursuance of this requirement, WAPCOS Limited, defines, for the purposes of this provision, the terms set forth below:
  - i. "Corrupt Practice" means the offering, giving, receiving, or soliciting, directly or indirectly, anything of value to influence improperly the actions of another party;
  - ii. "Fraudulent Practice" means any act of submission of forged documentation, or omission, including a misrepresentation, that knowingly or recklessly misleads, or attempts to mislead, a party to obtain a financial or other benefit or to avoid an obligation, or to succeed in a competitive bidding process;
  - iii. "Coercive Practice" means impairing or harming, or threatening to impair or harm, directly or indirectly, any party or the property of the party to influence improperly the actions of a party;
  - iv. "Collusive Practice" means an arrangement between two or more parties designed to achieve an improper purpose, including influencing improperly the actions of another party.
  - v. Will reject the award of Contract, even at a later stage, if it determines that the bidder recommended/ selected for award/awarded has, directly or through an agent, engaged in Corrupt, Fraudulent, Collusive, Or Coercive Practices incompetent for the Contract; Will sanction a party or its successors, including declaring ineligible, either indefinitely or for a stated period of time, to participate in any further bidding/procurement proceedings under the Project, if it at any time determines that the party has, directly or through an agent, engaged in Corrupt, Fraudulent, Collusive, Or Coercive Practices in competing for, or in executing, the contract.
  - vi. The party may be required to sign an Integrity Pact, if required; and WAPCOS Limited will have the right to require the bidders, or its suppliers, contractors and consultants to permit WAPCOS Limited to inspect their accounts and records and other documents relating to the bid submission and contract performance and to have them audited by auditors appointed by WAPCOS Limited at the cost of the bidders.
  - vii. The Bidder must obtain for himself on his own responsibility and at his own expenses all the information which may be necessary for the purpose of making a bid and for entering into a contract, must examine the Drawings, must inspect the sites of the work, acquaint himself with all local conditions, means of access to the work, nature of the work and all matters pertaining thereto. WAPCOS Limited will in no case be responsible or liable for those costs, regardless of the conduct or outcome of the bidding process.

- viii. The Contract shall be governed by each SECTION OF TENDER DOCUMENT i.e. instructions to bidders, selection & qualifying criteria, scope of works, General Conditions for Contract (GCC), Special Conditions for Contract (SCC), Annexures, Forms, Drawings, Technical Specification, Addendum / Clarification / Corrigendum etc. and all other Conditions mentioned in the tender documents.
- ix. All Bidders are hereby explicitly informed that conditional offers or offers with deviations from the Conditions of Contract, the bids not meeting the minimum eligibility criteria, Technical Bids not accompanied with EMD/Bid Security Declaration and Tender Document Fees of requisite amount in acceptable format, Bids in altered/modified formats, or in deviation with any other requirements stipulated in the tender documents are liable to be rejected.
- x. The company reserves the right to waive minor deviations if they do not materially affect the capability of the Tenderer to perform the contract.
- xi. The bidders shall not tamper or modify any part of the tender documents in any manner. In case in part of the bid is found to be tampered or modified at any stage, the bids are liable to be rejected, the contract is liable to be terminated and the full earnest deposit/retention money/performance guarantee will be forfeited and the bidder will be liable to be banned from doing any business with WAPCOS Limited.
- xii. Incomplete Price bid shall be liable to be rejected, at the discretion of WAPCOS Limited. The total bid price shall cover the entire scope of works covered in the tender.

## **2.1 PREFERENCE TO MAKE IN INDIA**

1. The provisions of revised 'Public Procurement (Preference to Make in India) Order 2017-Revision' issued by Department of Industrial Policy and Promotion under Ministry of Commerce and Industry vide letter no.-P45021/2/2017-PP (BE-II) as amended on 16.09.2020 shall be applicable to the bidding process and award of the contract shall be done accordingly. In this. Connection, the minimum local content shall be 50% and the margin of purchase preference shall be 20%.
2. Verification of Local Content
  - a) The bidder at the time of tender, bidding or solicitation shall be required to indicate percentage of local content and provide self-certification that the item offered meets the local content requirement of the tender. They shall also give details of the location(s) at with the local value addition is made.
  - b) In cases of procurement for a value in excess of Rs 10 Crores, the bidder shall be required to provide a certificate from the statutory auditor or cost auditor of the company (in the case of companies) or from a practicing cost accountant or practicing chartered accountant (in respect of suppliers other than companies) giving the percentage of local content.

## **3.0 TENDER FEES AND EARNEST MONEY DEPOSIT (EMD)**

The Earnest Money Deposit shall be as per the details mentioned in NIT. The Bid Security/ EMD of the unsuccessful bidder shall be returned at the earliest without any interest after expiry of final bid validity period and latest by 30<sup>th</sup> days after the award of the contract. Bid Security shall be refunded/returned without any interest to the successful bidder on receipt of Performance Security. The successful bidder shall accept the Letter of Award (LOA) within 15 (Fifteen) days from receipt of the same, failing which the EMD shall be forfeited and the award of work may be liable to be cancelled.

If any bidder withdraws or make any changes in his offer already submitted before the expiry of the validity period or any extension thereof without the written consent of the company, the EMD amount will be forfeited for such act of the bidder.

WAPCOS Limited reserves the right of forfeiture of Earnest Money deposit (EMD) or Bid Security if the bidder

- i. Withdraws or amends its/ his tender;
- ii. Impairs or derogates from the tender in any respect within the period of validity of the tender;
- iii. does not accept the correction of his bid price during evaluation; and
- iv. Fails to sign the contract or furnish the required performance security within the specified period.
- v. After opening of Tender, revokes his tender within the validity period or increases his earlier quoted rates.
- vi. Does not commence the work within the period as per LOA/Contract. In case the LOA/Contract is silent in this regard then within 15 days after award of contract

#### **4.0 COST OF BIDDING**

The Bidder shall bear all costs associated with the preparation and submission of the Bid as well as costs associated for facilitating the evaluation. WAPCOS Limited shall in no case be responsible or liable for these costs, regardless of the conduct or outcome of the bidding process.

#### **5.0 LANGUAGE OF BID**

The Bid and all related correspondence and documents relating to the Project shall be in English language only. Supporting documents and printed literature furnished by the Bidder may be in another language provided they are accompanied by an accurate English translation which shall be certified by a qualified translator. Any material that is submitted in a language other than English and which is not accompanied by an accurate English translation will not be considered.

#### **6.0 CURRENCY OF BID**

Bid prices shall be quoted in Indian Rupees. Tender submitted by tenderer shall remain valid for acceptance as mentioned in NIT from the date set for submission of the tender. The tenderer shall not be entitled within the said period to revoke or cancel or vary the tender given or any item thereof, without the consent of WAPCOS Limited.

WAPCOS Limited reserves the right to reject any or all the bids or to cancel the Tender, without assigning any reason(s) whatsoever.

**For & on behalf of Tenderer**

## **SECTION– II**

---

### **SELECTION AND QUALIFYING CRITERIA**

---

## SECTION-II SELECTION AND QUALIFYING CRITERIA

### 1.0 SITE VISIT

Intending Bidder(s) are advised to inspect and examine the site at his own cost and its surroundings and satisfy themselves before submitting their bids as to the nature of the ground and sub-soil (so far as is practicable), the form and nature of the site, the means of access to the site, the accommodation they may require and in general shall themselves obtain all necessary information as to risks, contingencies and other circumstances which may influence or affect their bid. A bidder(s) shall be deemed to have full knowledge of the site whether he inspects it or not and no extra charge consequent on any misunderstanding or otherwise shall be allowed. The bidder(s) shall be responsible for arranging and maintaining at his own cost all materials, tools & plants, water, electricity access, facilities for workers and all other services required for executing the work unless otherwise specifically provided for in the contract documents. Submission of a bid by a bidder(s) implies that he has read this notice and all other contract documents and has made himself aware of the scope and specifications of the work to be done and of conditions and rates at which stores, tools and plant, etc. will be issued to him by the Government and local conditions and other factors having a bearing on the execution of the work.

### 2.0 PRE-BID MEETING

The pre-bid meeting will be held as mentioned in the NIT in the office of Chief Scientist-II, Ropeways Division, WAPCOS Limited 2nd Floor, Plot No.- 62, Institutional Area, Sector-18, Gurugram – 122015 (Haryana) or through Video- Conferencing, which will be intimated before the date and time of pre-bid meeting on [www.etenders.gov.in/eprocure](http://www.etenders.gov.in/eprocure) (on 10th day)

### 3.0 QUALIFYING CRITERIA: ONLINE TECHNICAL BID SUBMISSION

The intending bidders must read the terms & conditions of tender documents carefully. He should only submit bid if he considers himself eligible and he is in possession of all the documents required.

The Technical Bid shall be uploaded **with colored scanned copies of following documents. All the documents must be Serial wise as stated below along with check list and clearly marked page no. on each page (MANDATORY). Any Bid not in order with page no shall be rejected.**

Format of Check List				
S.N	Particular of Document	Yes	No	Page Nos. (from – to)
a)	Authority to Sign the Tender a) In case of proprietary firm, the Proprietor shall sign with full name, current address OR by the authorized person holding Notarized Power of Attorney issued by the Proprietor for signing of bid document. The Power of Attorney shall <b><u>be submitted in original and shall be specific to this Bid submission only and mentioning the name of the work/project</u></b>  b) In case of a Limited Company or Corporation, the Application shall be signed by an authorized person			

Format of Check List				
S.N	Particular of Document	Yes	No	Page Nos. (from – to)
	<p>holding the Power of Attorney for signing of bid document. A certified copy of the Power of Attorney shall accompany the Application.</p> <p><b>Note:</b> Power of Attorney duly notarized and on a stamp paper of Rs 100, issued for signing the tender documents, make corrections/ modifications, to interact with the Employer and act as the contact person, shall be submitted along with Technical Bid.</p>			
b)	Scanned copy of EMD as mentioned in NIT and Scanned copy of Demand Draft for Tender Fees of the amount as mentioned in NIT.			
c)	Letter of Transmittal on bidder's original letter Head to submit Technical Bid.			
d)	Yearly sales Turnover and Audited Balance Sheet for Last 5 (five) years ending on the financial year 2023-24			
	<ul style="list-style-type: none"> <li>The requisite certificates must be certified by statutory auditor of the firm/company. Any such Certificate must carry the UDIN (Unique Document Identification Number).</li> </ul> <p>Note:-All figures/values as mentioned in Form -A must reflect in the UDIN Certificate.</p>			
	<ul style="list-style-type: none"> <li>The contractor should not have incurred any loss (profit after tax should be positive) in more than two years during last five years ending 2023-24 duly audited and <b><u>Attested by the Independent Chartered Accountant. (Form-A)</u></b></li> </ul>			
	<ul style="list-style-type: none"> <li><b>Turnover:</b> Average annual financial turnover <b>on Construction works</b> should be at least 50% of the estimated cost of work during the immediate last 3 consecutive financial years ending 2023-24. This should be duly audited by the Chartered Accountant doing Statutory Audit.</li> </ul>			
	<ul style="list-style-type: none"> <li>Full Balance Sheet and Profit &amp; loss Statement for last 5 years ending 2023-24 of Bidder should be verified by Chartered Accountant.</li> </ul>			
	<ul style="list-style-type: none"> <li>Turnover, profit, net worth certificates must be certified by the statutory auditor of the firm/company. Any such certificate must carry the UDIN (Unique Document Identification Number)</li> </ul>			



Format of Check List				
S.N	Particular of Document	Yes	No	Page Nos. (from – to)
e)	<p>The contractor should also have satisfactorily completed the similar types of works as mentioned below during last seven years ending previous day of last date of submission of tender.</p> <ul style="list-style-type: none"> <li>• One similar completed work costing not less than 80% of the estimated cost of work.</li> </ul> <p style="text-align: center;">Or</p> <ul style="list-style-type: none"> <li>• Two similar completed works of order value each not less than 50% of the estimated cost of work.</li> </ul> <p style="text-align: center;">Or</p> <ul style="list-style-type: none"> <li>• Three similar completed works of order value not less than 40% of the estimated cost of work.</li> </ul> <p>Note:  “<b>Similar work</b>” refers to a work involving</p> <ol style="list-style-type: none"> <li>1) Construction/ Renovation of Stormwater Drainage &amp;</li> <li>2) Construction/ laying of sewerage network along with STP</li> </ol> <p>Agency should have executed both works i.e., Stormwater Drainage network &amp; sewerage network along with STP (but not necessarily in single project). The weightage in the ratio of 85%: 15% shall be considered against above mentioned value of completed work for qualification.</p> <p>The bidders shall submit Completion Certificate(s) mentioning name, nature of work(s), value(s) of the job(s), date(s) of commencement, stipulated date(s) of completion and Actual date(s) of completion and actual date(s) of completion along- with LOI(s)/W. O(s) from respective Owner(s)/Clients(s).</p> <p>The value of executed works shall be brought to current costing level by enhancing the actual value of work at simple rate of 7% per annum; calculated from the date of completion to previous day of last day of submission of tenders.</p>			
f)	<p><b>Solvency Certificate</b></p> <p>The bidder should not be insolvent, in receivership, bankrupt or being wound up, not have had their business activities suspended. Accordingly, Bidder shall submit Solvency certificate with details of Financial Status i.e. Name of the Banker &amp; Current Solvency certificate from</p>			

Format of Check List				
S.N	Particular of Document	Yes	No	Page Nos. (from – to)
	<p>Banker for a sum of at least 40% of the estimated cost of work Certificate in Original.</p> <p>Solvency Certificate should be as per <b>(Form-I)</b></p> <p><b><u>IMPORTANT NOTE</u> : The Solvency Certificate shall be issued by the Nationalized/ Scheduled Commercial bank &amp; must have been issued after the date of publication of NIT &amp; be addressed to the tendering authority quoting the name of the work</b></p>			
g)	Name, Address, details of the Organization, Name(s) of the Owner/Partners/Promoters and Directors of the firm / company. <b>(Form-B)</b>			
h)	Copy of P.F and PAN Number.			
i)	<b>Goods and Service Tax (GST):</b> Bidders are advised to get themselves registered for GST, which are mandatory, as per Govt. of India notification regarding GST. Accordingly, bidder shall submit relevant documents if already registered. <b>If not registered till date of submission of bid, bidder will give undertaking on bidder letter head stating that they will get registered in GST as per Govt. norms before submission of bills.</b>			
j)	The bidder should be an Indian Registered Company under Companies Act 1956/2013/Proprietorship Firm/ Partnership Firm. <b>Joint Ventures are not accepted.</b> Copy of Certificate of Incorporation/ Registration/ Partnership Deed Registration or any other relevant document, as applicable, should be submitted along with a copy of address proof. <b>NOTE:</b> Proprietor firms shall submit registration details or shall submit the copy of relevant page of Pass book for the Current Account in the name of Proprietor Firm.			
k)	Bidder should not be blacklisted/ debarred by any Government/ semi-Government Department/ PSU. Bidders shall give undertaking for not being involved in any form of corrupt and fraudulent practices. <b>(Form-C).</b>			
l)	Letter of understanding the project site on bidder letter Head <b>(Form-D).</b>			
m)	'No Deviation Certificate' in prescribed format in Bidder's Letter Head <b>(Form-E).</b>			
n)	Consent Letter to execute the Integrity Pact <b>(Form-F).</b>			
o)	Bidder shall submit Information on litigation history, liquidated damages, disqualification etc. in bidder Letter Head <b>(Form-G).</b>			

Format of Check List				
S.N	Particular of Document	Yes	No	Page Nos. (from – to)
p)	Bidder has to submit Bar chart showing the timelines to complete the project in stipulated time period			
q)	NON- DISCLOSURE AGGEMENT ( <b>Form K</b> )			
r)	Tender document & Addendum/ Corrigendum shall be Digitally signed by the bidders submitting the Tender in token of his/their having acquainted himself/ themselves and accepted the entire tender documents including various conditions of contract. ( <b>Do Not Submit with the document of Offline Submission</b> )			

#### 4.0 OFFLINE SUBMISSIONS OF DOCUMENTS

The Bidder shall submit following Document offline also.

1. **All the documents in ORIGINAL**, mentioned in “Section-II: Selection and Qualifying Criteria” in Para 3: Qualifying Criteria for Technical Bid i.e. at Sr. No. (a) to (q) along with checklist & page numbering (**MANDATORY**) in separate sealed envelope clearly labeled as “TECHNICAL BID” for the Work (Write Name of Work/Project as mentioned in NIT) along with Details of Bidders Address, Phone, E-mail on Envelope.
2. **Originals EMD and Tender submission fee in the form of Demand Draft** in separate sealed envelope clearly labeled as “EMD AND TENDER FEE” for the work (Write Name of Work/Project as mentioned in NIT) along with Details of Bidders Address, Phone, E-mail on Envelope.

**NOTE: All above two envelopes shall be submitted in one single envelope clearly labeled as “Documents for Offline Submission”** for the Work (Write Name of Work/Project as mentioned in NIT) along with Details of Bidders Address, Phone, E-mail on Envelope.

**IMPORTANT NOTE: - The offline submissions as mentioned above shall be submitted on WAPCOS address mentioned in NIT as per date & time mentioned in NIT otherwise bids will be rejected.**

#### 5.0 CONTENTS OF FINANCIAL BID

The Financial Bid and Technical Bid shall be uploaded separately before last date & time of submission of Tender Document.

The quoted cost filled in Summary of Cost, by bidders, should include all associated costs with the project including any out of pocket / mobilization expenses/ Custom duty (if any) , Buildings and other construction workers welfare cess, TDS, taxes (all taxes except GST) if any applicable as per Govt. terms, shall be paid by the Contractor. The Goods and Services Tax (GST) shall be paid extra over quoted cost.

It is mandatory to bidders to deposit GST within time limit framed by Govt. of India, if applicable. The Goods and Services Tax (GST), shall be reimbursed to the Agency only after uploading of bills by Contractor on GST Portal “to avail Input benefit of GST”.

The company shall be performing all its duties of deduction of TDS and other deduction on

payment made to the contractor as per applicable legislation in force on the date of submission of bid or to be newly / amended introduced during the execution of the Contract.

The tenderer shall quote cost up to zero decimal and as well as in words. In case of any discrepancy cost quoted in words shall prevail.

***The Bill of quantity of tender is attached in Microsoft Excel format, bidder shall fill the rates only in soft format. The bidder will upload same filled soft Microsoft Excel copy during uploading of financial bid.***

#### **6.0 OPENING OF FINANCIAL BID**

The financial bids of the technically qualified bidders shall be opened at the notified date & time mentioned in NIT. Final selection of the bidder will be made based on the least cost method.

**For & on behalf of Tenderer**

## **SECTION – III**

---

# **GENERAL CONDITIONS OF CONTRACT**

**SECTION – III**  
**GENERAL CONDITIONS TO CONTRACT**

**1.0 GENERAL RULES AND DIRECTIONS**

<b>General Rules &amp; Directions</b>	<b>1.</b>	<p>The work proposed for execution by contract will be notified in a form of invitation to tender by publication in Newspapers or posted on website as the case may be.</p> <p>This form will state the work to be carried out, as well as the date for submitting and opening tenders and the time allowed for carrying out the work, also the amount of earnest money to be deposited with the tender, and the amount of the security deposit and Performance guarantee to be deposited by the successful tenderer and the percentage, if any, to be deducted from bills.</p> <p>Copies of the specifications, designs and drawings and any other documents required in connection with the work signed for the purpose of identification by the officer inviting tender shall also be open for inspection by the contractor at the office of officer inviting Tender during office hours.</p>
	<b>2.</b>	<p>In the event of the tender being submitted by a Partnership firm, it must be signed separately by each partner thereof or in the event of the absence of any partner, it must be signed on his behalf by a person holding a Power of Attorney authorizing him to do so, such power of attorney to be produced with the tender, and it must disclose that the firm is duly registered under the Indian Partnership Act, 1952.</p>
	<b>3.</b>	<p>Receipts for payment made on account of work, when executed by a Partnership firm, must also be signed by all the partners, except where contractors are described in their tender as a firm, in which case the receipts must be signed in the name of the firm by one of the partners, or by some other person having due authority to give effectual receipts for the firm</p>
	<b>4.</b>	<p>The rate(s) must be quoted in decimal coinage. Amounts must be quoted in full rupees by ignoring fifty paisa and considering more than fifty paisa as rupee one.</p> <p>In case the lowest tendered amount (worked out on the basis of quoted rate of Individual items) of two or more contractors is same, then such lowest contractors may be asked to submit sealed revised online offer (through limited tender process) quoting rate/ cost of work of each item of the schedule of quantity for all sub sections/sub heads as the case may be, but the revised quoted rate of each item of schedule of quantity for all sub sections/sub heads should not be higher than their respective original rate quoted already at the time of submission of tender. The lowest tender shall be decided on the basis of revised offer.</p> <p>If the revised tendered amount (worked out on the basis of quoted rate of individual items) of two or more contractors received in revised offer is again found to be equal, then the lowest tender, among such contractors, shall be decided by draw of lots and the lowest contractors</p>

	<p>those have quoted equal amount of their tenders.</p> <p>In case of any such lowest contractor in his revised offer quotes rate of any item more than their respective original rate quoted already at the time of submission of tender, then such revised offer shall be treated invalid. Such case of revised offer of the lowest contractor or case of refusal to submit revised offer by the lowest contractor shall be treated as withdrawal of his tender before acceptance and 50% of his earnest money shall be forfeited or action as per provisions of the Bid Security Declaration.</p> <p>In case all the lowest contractors those have same tendered amount (as a result of their quoted rate of individual items), refuse to submit revised offers, then tenders are to be recalled after forfeiting 50% of EMD or action as per provisions of the Bid Security Declaration of each lowest contractors.</p> <p>Contractor, whose earnest money is forfeited because of non-submission of revised offer, or quoting higher revised rate(s) of any item(s) than their respective original rate quoted already at the time of submission of his bid shall not be allowed to participate in the retendering process of the work.</p>
4A	<p>In case of Percentage Rate Tenders, contractor shall fill up the usual printed form, stating at what percentage below/above (in figures as well as in words) the total estimated cost given in Schedule of Quantities, he will be willing to execute the work. The tender submitted shall be treated as invalid if :-</p> <ol style="list-style-type: none"> <li>1. The contractor does not quote percentage above/below on the total amount of tender or any section/sub head of the tender.</li> <li>2. The percentage above/below is not quoted in figures &amp; words both on the total amount of tender or any section/sub head of the tender.</li> <li>3. The percentage quoted above/below is different in figures &amp; words on the total amount of tender or any section/sub head of the tender.</li> </ol> <p>Tenders, which propose any alteration in the work specified in the said form of invitation to tender, or in the time allowed for carrying out the work, or which contain any other conditions of any sort including conditional rebates, will be summarily rejected.</p>
4B	<p>In case the lowest tendered amount (estimated cost + amount worked on the basis of percentage above/below) of two or more contractors is same, such lowest contractors will be asked to submit revised online offer (through limited tender process) in the form of letter mentioning percentage above/ below on estimated cost of tender including all sub sections/sub heads as the case may be, but the revised percentage quoted above/below on tendered cost or on each sub section/ sub head should not be higher than the percentage quoted at the time of submission of tender. The lowest tender shall be decided on the basis of revised offers.</p>

	<p>In case any of such contractor refuses to submit revised offer, then it shall be treated as withdrawal of his tender before acceptance and 50% of earnest money shall be forfeited or action as per provisions of the Bid Security Declaration shall be taken.</p> <p>If the revised tendered amount of two more contractors received in revised offer is again found to be equal, the lowest tender, among such contractors, shall be decided by draw of lots in the presence WAPCOS &amp; the lowest contractors those have quoted equal amount of their tenders.</p> <p>In case all the lowest contractors those have quoted same tendered amount, refuse to submit revised offers, then tenders are to be recalled after forfeiting 50% of EMD or action as per provisions of the Bid Security Declaration of each contractor, whose earnest money is forfeited because of non-submission of revised offer, shall not be allowed to participate in the re-Tendering process of the work.</p>
<b>5.</b>	<p>The designated committee will open tenders in the presence of any intending contractors who may be present at the time, and will enter the amounts of the several tenders in a comparative statement in a suitable form. In the event of a tender being accepted, a receipt for the earnest money/Bid Security Declaration shall thereupon be given to the contractor who shall thereupon for the purpose of identification sign copies of the specifications and other documents. In the event of a tender being rejected, the earnest money shall thereupon be returned to the contractor remitting the same, without any interest, if applicable.</p>
<b>6.</b>	<p>WAPCOS shall have the right of rejecting all or any of the tenders and will not be bound to accept the lowest or any other tender.</p>
<b>7.</b>	<p>The receipt of an accountant or clerk for any money paid by the contractor will not be considered as any acknowledgment or payment to the officer inviting tender and the contractor shall be responsible for seeing that he procures a receipt signed by the officer inviting tender or a duly authorized Cashier.</p>
<b>8.</b>	<p>In the case of Item Rate Tenders, only rates quoted shall be considered. Any tender containing percentage below/above the rates quoted is liable to be rejected. Rates quoted by the contractor in item rate tender in figures and words shall be accurately filled in so that there is no discrepancy in the rates written in figures and words. However, if a discrepancy is found, the rates which correspond with the amount worked out by the contractor shall unless otherwise proved be taken as correct. If the amount of an item is not worked out by the contractor or it does not correspond with the rates written either in figures or in words, then the rates quoted by the contractor in words shall be taken as correct. Where the rates quoted by the contractor in figures and in words tally, but the amount is not worked out correctly, the rates quoted by the contractor will unless otherwise proved be taken as correct and not the</p>



	<p>amount. In event no rate has been quoted for any item(s), leaving space both in figure(s), word(s), and amount blank, it will be presumed that the contractor has included the cost of this/these item(s) in other items and rate for such item(s) will be considered as zero and work will be required to be executed accordingly.</p> <p>However, if a tenderer quotes nil rates against each item in item rate tender, the tender shall be treated as invalid and will not be considered as lowest tenderer and earnest money deposited shall be forfeited or action as per provisions of the Bid Security Declaration of each contractor.</p> <p>In the case of any tender where unit rate of any item/items appear unrealistic, such tender will be considered as unbalanced and in case the tenderer is unable to provide satisfactory explanation, such a tender is liable to be disqualified and rejected.</p>
<b>9.</b>	In case of Percentage Rate Tenders only percentage quoted shall be considered. Any tender containing item rates is liable to be rejected. Percentage quoted by the contractor in percentage rate tender shall be accurately filled in figures and words, so that there is no discrepancy.
<b>10.</b>	In Percentage Rate Tender, the tenderer shall quote percentage below/above (in figures as well as in words) at which he will be willing to execute the work. He shall also work out the total amount of his offer and the same should be written in figures as well as in words in such a way that no interpolation is possible. In case of figures, the word 'Rs.' should be written before the figure of rupees and word 'P' after the decimal figures, e.g. 'Rs. 2.15P' and in case of words, the word 'Rupees' should precede and the word 'Paisa' should be written at the end.
<b>11.</b>	<p>i. The Contractor, whose tender is accepted, will be required to furnish performance guarantee of 5% (five Percent) of the tendered amount within the period specified in Special Conditions of Contract. This guarantee shall be in the form of cash (in case guarantee amount is less than Rs. 10,000/-) or Deposit at call receipt of any scheduled bank/Banker's cheque of any scheduled bank/Demand Draft of any scheduled bank/Pay order of any scheduled bank (in case guarantee amount is less than Rs. 1,00,000/-) or Government Securities or Fixed Deposit Receipts or Guarantee Bonds of any Scheduled Bank or the State Bank of India in accordance with the prescribed form.</p> <p>ii. The contractor whose tender is accepted will also be required to furnish by way of Security Deposit for the fulfillment of his contract, an amount equal to 2.5% of the tendered value of the work. The Security deposit will be collected by deductions from the running bills as well as final bill of the contractor at the rates mentioned above.</p>
<b>12.</b>	On acceptance of the tender, the name of the accredited representative(s) of the contractor who would be responsible for taking instructions from the Engineer-in-Charge shall be communicated in writing to the Engineer-in-Charge.

	<b>13.</b>	GST or any other tax applicable in respect of inputs procured by the contractor for this contract shall be payable by the Contractor and WAPCOS will not entertain any claim whatsoever in respect of the same.				
	<b>14.</b>	The contractor shall give a list of WAPCOS employees related to him.				
	<b>15.</b>	The tenderers shall sign a declaration under the official Secret Act 1923, for maintaining secrecy of the tender documents drawings or other records connected with the work given to them.				
	<b>16.</b>	The tender for the work shall not be witnessed by a contractor or contractors who himself/themselves has/have tendered or who may and has/have tendered for the same work. Failure to observe this condition would render, tenders of the contractors tendering, as well as witnessing the tender, liable to summary rejection.				
	<b>17.</b>	The tender for composite work includes, in addition to building work, all other works such as sanitary and water supply installations drainage installation, electrical work, horticulture work, roads and paths etc. The tenderer apart from being a registered contractor (B&R) of appropriate class, must associate himself with agencies of appropriate class which are eligible to tender for sanitary and water supply drainage, electrical and horticulture works in the composite tender.				
	<b>18.</b>	The contractor shall comply with the provisions of the Apprentices Act 1961, and the rules and orders issued thereunder from time to time. If he fails to do so, his failure will be a breach of the contract and WAPCOS may in his discretion, without prejudice to any other right or remedy available in law, cancel the contract. The contractor shall also be liable for any pecuniary liability arising on account of any violation by him of the provisions of the said Act.				
	<b>19.</b>	The contractor shall submit list of works which are in hand (progress) in the following form :-				
		Name of work	Name and particulars where work is being executed	Value of work	Position of works in progress	Remarks
		(1)	(2)	(3)	(4)	(5)

## 2.0 CONDITIONS OF CONTRACT

<b>Definitions</b>	1.	The Contract means the documents forming the tender and acceptance thereof and the formal agreement executed between the WAPCOS and the Contractor, together with the documents referred to therein including these conditions, the specifications, designs, drawings and instructions issued from time to time by the Engineer-In-Charge and all these documents taken together, shall be deemed to form one contract and shall be complementary to one another.
	2.	In the contract, the following expressions shall, unless the context otherwise requires, have the meanings, hereby respectively assigned to them:-

	<p>“Employer” shall mean “WAPCOS Limited”, A Government of India undertaking- Ministry of Jal Shakti, for execution of the Work / Project as mentioned in NIT. Having their Registered office at 5<sup>th</sup> floor, Kailash building, 26- Kasturba Gandhi Marg, New Delhi-110001, India &amp; include their successors &amp; permitted assigns as well as their authorized officer / representatives</p> <ol style="list-style-type: none"> <li>i. The expression <b>works or Project</b> shall, unless there be something either in the subject or context repugnant to such construction, be construed and taken to mean the works by or by virtue of the contract contracted to be executed whether temporary or permanent, and whether original, altered, substituted or additional.</li> <li>ii. The <b>Site</b> shall mean the land/or other places on, into or through which work is to be executed under the contract or any adjacent land, path or street through which work is to be executed under the contract or any adjacent land, path or street which may be allotted or used for the purpose of carrying out the contract.</li> <li>iii. The <b>Bidder /Contractor</b> shall mean the individual, firm or company, whether incorporated or not, undertaking the works and shall include the legal personal representative of such individual or the persons composing such firm or company, or the successors of such firm or company and the permitted assignees of such individual, firm or company who are participating in Bidding process and will Execution the project after award of the works as Contractor.</li> <li>iv. The <b>Engineer-in-Charge</b> means the Engineer Officer appointed by WAPCOS or his duly authorized representative who shall direct, supervise and be in-charge of the work for the purpose of this Contract</li> <li>v. <b>Accepting Authority</b> shall mean the authority mentioned in Special Conditions of Contract.</li> <li>vi. <b>Tenderer / Bidder</b> shall mean the firm/party who intends to participate in this Notice Inviting Tender</li> <li>vii. <b>Excepted Risk</b> are risks due to riots (other than those on account of contractor’s employees), war (whether declared or not) invasion, act of foreign enemies, hostilities, civil war, rebellion revolution, insurrection, military or usurped power, any acts of Government, damages from aircraft, acts of God, such as earthquake, lightening and unprecedented floods, and other causes over which the contractor has no control and accepted as such by the Accepting Authority or causes solely due to use or occupation by Government of the part of the works in respect of which a certificate of completion has been issued or a cause solely due to Government’s faulty design of works.</li> </ol> <p><b>Market Rate</b> shall be the rate as decided by the Engineer-in-Charge on the basis of the cost of materials and labour at the site</p>
--	---

		<p>where the work is to be executed plus the percentage mentioned in Special Conditions of Contract to cover, all overheads and profits, Provided that no extra overheads and profits shall be payable on the part(s) of work assigned to other agency(s) by the contractor as per terms of contract.</p> <p>x. <b>Schedule(s)</b> referred to in these conditions shall mean the relevant schedule(s) annexed to the tender papers or the standard Schedule of Rates of the government mentioned in Special Conditions of Contract hereunder, with the amendments thereto issued up to the date of receipt of the tender.</p> <p>xi. <b>District Specifications</b> means the specifications followed by the State Government in the area where the work is to be executed.</p> <p>xii. The <b>Contractor/Successful Bidder</b> shall mean the firm or company whose bid has been accepted by WAPCOS.</p> <p>xiii. <b>Consultant</b> shall mean any consultant nominated by the WAPCOS</p> <p>xiv. <b>Tendered value</b> means the value of the entire work as stipulated in the letter of award.</p> <p>xv. <b>Date of commencement of work:</b> The date of commencement of work shall be the date of start as specified in Special Conditions of Contract or the first date of handing over of the site, whichever is later, in accordance with the phasing if any, as indicated in the tender document.</p> <p>xvi. <b>GST</b> shall mean Goods and Service Tax - Central, State and Inter State.</p>
<b>scope and Performance</b>	3.	Where the context so requires, words imparting the singular only also include the plural and vice versa. Any reference to masculine gender shall whenever required include feminine gender and vice versa.
	4.	Headings and Marginal notes to these General Conditions of Contract shall not be deemed to form part thereof or be taken into consideration in the interpretation or construction thereof or of the contract.
	5.	The contractor shall be furnished, free of cost one certified copy of the contract documents except standard specifications, and such other printed and published documents, together with all drawings as may be forming part of the tender papers. None of these documents shall be used for any purpose other than that of this contract.
<b>Works to be carried out</b>	6.	The work to be carried out under the Contract shall, except as otherwise provided in these conditions, include all labour, materials, tools, plants, equipment and transport which may be required in preparation of and for and in the full and entire execution and completion of the works. The descriptions given in the Schedule of Quantities/ Building Components shall, unless otherwise stated, be held to include wastage on materials, carriage and cartage, carrying and return of empties, hoisting, setting, fitting and fixing in position

		and all other labours necessary in and for the full and entire execution and completion of the work as aforesaid in accordance with good practice and recognized principles.
<b>Sufficiency of Tender</b>	7.	The Contractor shall be deemed to have satisfied himself before tendering as to the correctness and sufficiency of his tender for the works and of the cost quoted in the Schedule of Quantities/ Building Components, which rates and prices shall, except as otherwise provided, cover all his obligations under the Contract and all matters and things necessary for the proper completion and maintenance of the works.
<b>Discrepancies and Adjustment of Errors</b>	8.	The several documents forming the Contract are to be taken as mutually explanatory of one another, detailed drawings being followed in preference to small scale drawing and figured dimensions in preference to scale and special conditions in preference to General Conditions.
	8.1	In the case of discrepancy between the schedule of Quantities/Building Components, the Specifications and/ or the Drawings, the following order of preference shall be observed:- i. Description of Schedule of Quantities/Building Components/ Drawings. ii. Particular Specification and Special Condition, if any. iii. Standard Specifications iv. Drawings. v. Indian Standard Specifications of B.I.S.
	8.2	If there are varying or conflicting provisions made in any one document forming part of the contract, the Accepting Authority shall be the deciding authority with regard to the intention of the document and his decision shall be final and binding on the contractor.
	8.3	Any error in description, quantity or rate in Schedule of Quantities or any omission therefrom shall not vitiate the Contract or release the Contractor from the execution of the whole or any part of the works comprised therein according to drawings and specifications or from any of his obligations under the contract.
<b>Signing of Contract</b>	9.	The successful tenderer/contractor, on acceptance of his tender by the Accepting Authority, shall, within 15 days from the stipulated date of start of the work, sign the contract consisting of:- i. The notice inviting tender, all the documents including drawings, if any, forming the tender as issued at the time of invitation of tender and acceptance thereof together with any correspondence leading thereto. ii. Special Conditions of Contract consisting of: a) Various standard clauses with corrections up to the date stipulated in Special Conditions of Contract along with annexures thereto. b) Safety Code. c) Model Rules for the protection of health, sanitary arrangements for workers employed WAPCOS or its

		<p>contractors.</p> <p>d) Contractor's Labour Regulations.</p> <p>e) List of Acts and omissions for which fines can be imposed.</p> <p>iii. No payment for the work done will be made unless contract is signed by the contractor</p>
--	--	---

### 3.0 CLAUSES OF CONTRACT

#### CLAUSE 1: PERFORMANCE GUARANTEE

- i. The contractor shall submit an irrevocable **Performance Guarantee of 5% (five percent) of the "Tendered amount"** in addition to other deposits mentioned elsewhere in the contract for his proper performance of the contract agreement, (not withstanding and/or without prejudice to any other provisions in the contract) within period specified in Special Conditions of Contract from the date of issue of letter of acceptance. This period can be further extended by the Engineer-in-Charge up to a maximum period as specified in Special Conditions of Contract on written request of the contractor stating the reason for delays in procuring the Performance Guarantee, to the satisfaction of the Engineer-in-Charge. This guarantee shall be in the form of Cash (in case guarantee amount is less than Rs. 10,000/-) or Banker's Cheque of any scheduled bank/Demand Draft of any scheduled bank/Pay Order of any scheduled bank (in case guarantee amount is less than Rs. 1,00,000/-) or Fixed Deposit Receipts or Insurance Surety Bonds or Guarantee Bonds of any Scheduled Bank or the State Bank of India in accordance with the form annexed hereto. In case a fixed deposit receipt of any Bank is furnished by the contractor to the WAPCOS as part of the performance guarantee and the Bank is unable to make payment against the said fixed deposit receipt, the loss caused thereby shall fall on the contractor and the contractor shall forthwith on demand furnish additional security to the WAPCOS to make good the deficit.
- ii. **The Performance Guarantee shall be initially valid up to the stipulated date of completion plus 12 months claim period beyond that.** In case the time for completion of work gets enlarged, the contractor shall get the validity of Performance Guarantee extended to cover such enlarged time for completion of work. After recording of the completion certificate for the work by the competent authority, the performance guarantee shall be returned to the contractor, without any interest. However, in case of contracts involving maintenance of building and services/any other work after construction of same building and services/other work, then 50% of Performance Guarantee shall be retained as Security Deposit. The same shall be returned year wise proportionately.
- iii. The Engineer-in-Charge shall make a claim under the performance guarantee except for amounts to which the WAPCOS is entitled under the contract (not withstanding and/or without prejudice to any other provisions in the contract agreement) in the event of:
  - (a) Failure by the contractor to extend the validity of the Performance Guarantee as described herein above, in which event the Engineer-in-Charge may claim the full amount of the Performance Guarantee.

- (b) Failure by the contractor to pay WAPCOS any amount due, either as agreed by the contractor or determined under any of the Clauses/Conditions of the agreement, within 30 days of the service of notice to this effect by Engineer in-Charge.
- iv. In the event of the contract being determined or rescinded under provision of any of the Clause/Condition of the agreement, the performance guarantee shall stand forfeited in full and shall be absolutely at the disposal of the WAPCOS.
- v. On substantial Completion of any work which has been completed to such an extent that the intended purpose of the work is met and ready to use, then a provisional Completion certificate shall be recorded by the Engineer-in-Charge. The provisional certificate shall have appended with a list of outstanding balance item of work that need to be completed in accordance with the provisions of the contract.

This provisional completion certificate shall be recorded by the concerned Engineer in-charge with the approval of competent authority, if required. After recording of the provisional Completion Certificate for the work by the competent authority, the 80 % of performance guarantee shall be returned to the contractor, without any interest.

However, in case of contracts involving Maintenance of building and services /any other work after construction of same building and services/ other work, then 50% of performance guarantee shall be returned to the contractor, without any interest after recording the provisional Completion certificate.

#### **CLAUSE 1A: RECOVERY OF SECURITY DEPOSIT**

The person/persons whose tender(s) may be accepted (hereinafter called the contractor) shall permit WAPCOS at the time of making any payment to him for work done under the contract to deduct a sum at the rate of 2.5% of the gross amount of each running and final bill till the sum deducted will amount to security deposit of 2.5% of the tendered value of the work. Such deductions will be made and held by WAPCOS by way of Security Deposit unless he/they has/have deposited the amount of Security at the rate mentioned above in cash or in the form of Government Securities or fixed deposit receipts. In case a fixed deposit receipt of any Bank is furnished by the contractor to the WAPCOS as part of the security deposit and the Bank is unable to make payment against the said fixed deposit receipt, the loss caused thereby shall fall on the contractor and the contractor shall forthwith on demand furnish additional security to the WAPCOS to make good the deficit.

All compensations or the other sums of money payable by the contractor under the terms of this contract may be deducted from, or paid by the sale of a sufficient part of his security deposit or from the interest arising therefrom, or from any sums which may be due to or may become due to the contractor by WAPCOS on any account whatsoever and in the event of his Security Deposit being reduced by reason of any such deductions or sale as aforesaid, the contractor shall within 10 days make good in cash or fixed deposit receipt tendered by the State Bank of India or by Scheduled Banks endorsed in favour of WAPCOS LIMITED, any sum or sums which may have been deducted from, or raised by sale of his security deposit or any part thereof. The security deposit shall be collected from the running bills and the final bill of the contractor at the rates mentioned above.

The security deposit as deducted above can be released against bank guarantee issued by a scheduled bank, on its accumulations to a minimum of Rs. 5 lac subject to the condition that amount of such bank guarantee, except last one, shall not be less than Rs. 5 lac. Provided

further that the validity of bank guarantee including the one given against the earnest money shall be in conformity with provisions contained in **Clause 17** which shall be extended from time to time depending upon extension of contract granted under provisions of **Clause 2** and **Clause 5**.

## **CLAUSE 2: COMPENSATION FOR DELAY**

If the contractor fails to maintain the required progress in terms of **Clause 5** or to complete the work and clear the site on or before the contract or justified extended date of completion as per **Clause 5** (excluding any extension under **Clause 5.5**) as well as any extension granted under **Clauses 12 and 15**, he shall, without prejudice to any other right or remedy available under the law to the Government on account of such breach, pay as compensation the amount calculated at the rates stipulated below as the authority specified in Special Conditions of Contract may decide on the amount of accepted Tendered Value of the work for every completed day/month (as determined) that the progress remains below that specified in **Clause 5** or that the work remains incomplete.

- i. Compensation for delay of work with maximum rate @ 1% (one percent) per month of delay to be computed on per day basis based on quantum of damage suffered due to stated delay on the part of Contractor.

Provided always that the total amount of compensation for delay to be paid under this Condition shall not exceed 10% of the Tendered Value of work or of the Tendered Value of the item or group of items of work for which a separate period of completion is originally given.

In case no compensation has been decided by WAPCOS during the progress of work, this shall be no waiver of right to levy compensation by the said authority if the work remains incomplete on final justified extended date of completion. If the Engineer in Charge decides to give further extension of time allowing performance of work beyond the justified extended date, the contractor shall be liable to pay compensation for such extended period. If any variation in amount of contract takes place during such extended period beyond justified extended date and the contractor becomes entitled to additional time under **Clause 12**, the net period for such variation shall be accounted for while deciding the period for levy of compensation. However, during such further extended period beyond the justified extended period, if any delay occurs by events under sub **Clause 5.2**, the contractor shall be liable to pay compensation for such delay.

Provided that compensation during the progress of work before the justified extended date of completion for delay under this clause shall be for non-achievement of sectional completion or part handing over of work on stipulated/justified extended date for such part work or if delay affects any other works/services. This is without prejudice to right of action by the Engineer in Charge under **Clause 3** for delay in performance and claim of compensation under that clause.

In case action under **Clause 2** has not been finalized and the work has been determined under **Clause 3**, the right of action under this clause shall remain post determination of contract but levy of compensation shall be for days the progress is behind the schedule on date of determination, as assessed by the WAPCOS, after due consideration of justified extension. The compensation for delay, if not decided before the determination of contract, shall be decided after of determination of contract.



The amount of compensation may be adjusted or set-off against any sum payable to the Contractor under this or any other contract with the WAPCOS. In case, the contractor does not achieve a particular milestone mentioned in Special Conditions of Contract, or the re-scheduled milestone(s) in terms of **Clause 5.4**, the amount shown against that milestone shall be withheld, to be adjusted against the compensation levied at the final grant of Extension of Time. Withholding of this amount on failure to achieve a milestone, shall be automatic without any notice to the contractor. However, if the contractor catches up with the progress of work on the subsequent milestone(s), the withheld amount shall be released. In case the contractor fails to make up for the delay in subsequent milestone(s), amount mentioned against each milestone missed subsequently also shall be withheld. However, no interest, whatsoever, shall be payable on such withheld amount. (Modified OM No. DG/CON/306 dt. 04.10.2019).

### **CLAUSE 3: WHEN CONTRACT CAN BE DETERMINED**

Subject to other provisions contained in this clause, the Engineer-in-Charge may, without prejudice to his any other rights or remedy against the contractor in respect of any delay, inferior workmanship, any claims for damages and/or any other provisions of this contract or otherwise, and whether the date of completion has or has not elapsed, by notice in writing absolutely determine the contract in any of the following cases:

- i. If the contractor having been given by the Engineer-in-Charge a notice in writing to rectify, reconstruct or replace any defective work or that the work is being performed in an inefficient or otherwise improper or un-workman like manner shall omit to comply with the requirement of such notice for a period of seven days thereafter.
- ii. If the contractor has, without reasonable cause, suspended the progress of the work or has failed to proceed with the work with due diligence so that in the opinion of the Engineer-in-Charge (which shall be final and binding) he will be unable to secure completion of the work by the date for completion and continues to do so after a notice in writing of seven days from the Engineer-in-Charge.
- iii. If the contractor fails to complete the work or section of work with individual date of completion on or before the stipulated or justified extended date, on or before such date of completion; and the Engineer in Charge without any prejudice to any other right or remedy under any other provision in the contract has given further reasonable time in a notice given in writing in that behalf as either mutually agreed or in absence of such mutual agreement by his own assessment making such time essence of contract and in the opinion of Engineer-in-Charge the contractor will be unable to complete the same or does not complete the same within the period specified.
- iv. If the contractor persistently neglects to carry out his obligations under the contract and/ or commits default in complying with any of the terms and conditions of the contract and does not remedy it or take effective steps to remedy it within 7 days after a notice in writing is given to him in that behalf by the Engineer-in-Charge.
- v. If the contractor shall offer or give or agree to give to any person in WAPCOS service or to any other person on his behalf any gift or consideration of any kind as an inducement or reward for doing or forbearing to do or for having done or forborne to do any act in relation to the obtaining or execution of this or any other contract for WAPCOS.
- vi. If the contractor shall enter into a contract with WAPCOS in connection with which commission has been paid or agreed to be paid by him or to his knowledge, unless the particulars of any such commission and the terms of payment thereof have been

- previously disclosed in writing to the Engineer-in-Charge.
- vii. If the contractor had secured the contract with WAPCOS as a result of wrong tendering or other non-bonafide methods of competitive tendering or commits breach of Integrity Agreement.
  - viii. If the contractor being an individual, or if a firm, any partner thereof shall at any time be adjudged insolvent or have a receiving order or order for administration of his estate made against him or shall take any proceedings for liquidation or composition (other than a voluntary liquidation for the purpose of amalgamation or reconstruction) under any Insolvency Act for the time being in force or make any conveyance or assignment of his effects or composition or arrangement for the benefit of his creditors or purport so to do, or if any application be made under any Insolvency Act for the time being in force for the sequestration of his estate or if a trust deed be executed by him for benefit of his creditors.
  - ix. If the contractor being a company shall pass a resolution or the court shall make an order that the company shall be wound up or if a receiver or a manager on behalf of a creditor shall be appointed or if circumstances shall arise which entitle the court or the creditor to appoint a receiver or a manager or which entitle the court to make a winding up order.
  - x. If the contractor shall suffer an execution being levied on his goods and allow it to be continued for a period of 21 days.
  - xi. If the contractor assigns (excluding part(s) of work assigned to other agency(s) by the contractor as per terms of contract), transfers, sublets (engagement of labour on a piece- work basis or of labour with materials not to be incorporated in the work, shall not be deemed to be subletting) or otherwise parts with or attempts to assign, transfer, sublet or otherwise parts with the entire works or any portion thereof without the prior written approval of the Engineer -in-Charge.
  - xii. When the contractor has made himself liable for action under any of the cases aforesaid, the Engineer-in-Charge on behalf of the WAPCOS shall have powers:
    - (a) To determine the contract as aforesaid so far as performance of work by the Contractor is concerned (of which determination notice in writing to the contractor under the hand of the Engineer-in-Charge shall be conclusive evidence). Upon such determination, Security Deposit already recovered, Security deposit payable and Performance Guarantee under the contract shall be liable to be forfeited and shall be absolutely at the disposal of the Government/ WAPCOS.
    - (b) After giving notice to the contractor to measure up the work of the contractor and to take such whole, or the balance or part thereof, as shall be un-executed out of his hands and to give it to another contractor to complete the work. The contractor, whose contract is determined as above, shall not be allowed to participate in the tendering process for the balance work including any new items needed to complete the work.

In the event of above courses being adopted by the Engineer-in-Charge, the contractor shall have no claim to compensation for any loss sustained by him by reasons of his having purchased or procured any materials or entered into any engagements or made any advances on account or with a view to the execution of the work or the performance of the contract. And in case action is taken under any of the provision aforesaid, the contractor shall not be entitled to recover or be paid any sum for any work thereof or actually performed under this contract

unless and until the Engineer- in-Charge has certified in writing the performance of such work and the value payable in respect thereof and he shall only be entitled to be paid the value so certified.

**CLAUSE 3A:**

In case, the work cannot be started due to reasons not within the control of the contractor within 1/8th of the stipulated time for completion of work or one month whichever is higher, either party may close the contract. In case contractor wants to close the contract, he shall give notice to the WAPCOS stating the failure on the part of WAPCOS. In such eventuality, the Performance Guarantee of the contractor shall be refunded within following time limits:

- |   |         |
|---|---------|
| a) Tendered value of work is up to Rs. 1.0 Crore                                  | 15 Days |
| b) If the Tendered value of work is more than Rs.1.0 crore and up to Rs. 10 Crore | 21 days |
| c) If the Tendered value of work exceeds Rs. 10 Crore                             | 30 days |

Neither party shall claim any compensation for such eventuality. This clause is not applicable for any breach of the contract by either party.

**CLAUSE 4: CONTRACTOR LIABLE TO PAY COMPENSATION EVEN IF ACTION NOT TAKEN UNDER CLAUSE 3**

In any case in which any of the powers conferred upon the Engineer-in-Charge by **Clause-3** thereof, shall have become exercisable and the same are not exercised, the non-exercise thereof shall not constitute a waiver of any of the conditions hereof and such powers shall notwithstanding be exercisable in the event of any future case of default by the contractor and the liability of the contractor for compensation shall remain unaffected. In the event of the Engineer-in-Charge putting in force all or any of the powers vested in him under the preceding clause he may, if he so desires after giving a notice in writing to the contractor, take possession of (or at the sole discretion of the Engineer-in-Charge which shall be final and binding on the contractor) use as on hire (the amount of the hire money being also in the final determination of the Engineer-in-Charge) all or any tools, plant, materials and stores, in or upon the works, or the site thereof belonging to the contractor, or procured by the contractor and intended to be used for the execution of the work/or any part thereof, paying or allowing for the same in account at the contract rates, or, in the case of these not being applicable, at current market rates to be certified by the Engineer-in-Charge, whose certificate thereof shall be final, and binding on the contractor, clerk of the works, foreman or other authorized agent to remove such tools, plant, materials, or stores from the premises (within a time to be specified in such notice) in the event of the contractor failing to comply with any such requisition, the Engineer-in-Charge may remove them at the contractor's expense or sell them by auction or private sale on account of the contractor and his risk in all respects and the certificate of the Engineer-in-Charge as to the expenses of any such removal and the amount of the proceeds and expenses of any such sale shall be final and conclusive against the contractor.

**CLAUSE 5: TIME AND EXTENSION FOR DELAY**

The time allowed for execution of the Works as specified in the Special Conditions of Contract or the extended time in accordance with these conditions shall be the essence of the Contract. The execution of the works shall commence from such time period as mentioned in Special Conditions of Contract or from the date of handing over of the site whichever is later. If the

Contractor commits default in commencing the execution of the work as aforesaid, WAPCOS shall without prejudice to any other right or remedy available in law, be at liberty to forfeit the performance guarantee absolutely.

**5.1** As soon as possible but within 7 (seven) working days of award of work and in consideration of:

- (a) Schedule of handing over of site as specified in the Special Conditions of Contract
- (b) Schedule of issue of designs as specified in the Special Conditions of Contract
- (i) The Contractor shall submit a Time and Progress Chart for each mile stone. The Engineer-in-Charge may within 7 (seven) working days thereafter, if required modify, and communicate the program approved to the contractor failing which the program submitted by the contractor shall be deemed to be approved by the Engineer-in-Charge. The work program shall include all details of balance drawings and decisions required to complete the contract with specific dates by which these details are required by contractor without causing any delay in execution of the work. The Chart shall be prepared in direct relation to the time stated in the Contract documents for completion of items of the works. It shall indicate the forecast of the dates of commencement and completion of various trades of sections of the work and may be amended as necessary by agreement between the Engineer in- Charge and the Contractor within the limitations of time imposed in the Contract documents.
- (ii) In case of non-submission of construction programme by the contractor, the program approved by the Engineer-in-Charge shall be deemed to be final.
- (iii) The approval by the Engineer-in-Charge of such programme shall not relieve the contractor of any of the obligations under the contract.
- (iv) The contractor shall submit the Time and Progress Chart and progress report using the mutually agreed software or in other format decided by Engineer-in- Charge for the work done during previous month to the Engineer-in-charge on or before 5th day of each month failing which a recovery to be decided by the NIT approving authority shall be made on per week or part basis in case of delay in submission of the monthly progress report.

**5.2 If the work(s) be delayed by :-**

- (i) force majeure, or
- (ii) abnormally bad weather, or
- (iii) serious loss or damage by fire, or
- (iv) civil commotion, local commotion of workmen, strike or lockout, affecting any of the trades employed on the work, or
- (v) delay on the part of other contractors or tradesmen engaged by Engineer-in-Charge in executing work not forming part of the Contract, or
- (vi) Any other cause like above which, in the reasoned opinion of the Engineer-in-Charge is beyond the Contractor's control.

Then upon the happening of any such event causing delay, the Contractor shall immediately give notice thereof in writing to the authority as indicated in Special Conditions of Contract but shall nevertheless use constantly his best endeavors to prevent or make good the delay and shall do all that may be reasonably required to the satisfaction of the Engineer-in-Charge to proceed with the works.

The contractor shall have no claim of damages for extension of time granted or rescheduling of milestone/s for events listed in **sub clause 5.2**.

- 5.3** In case the work is hindered by the WAPCOS or for any reason / event, for which the WAPCOS is responsible, the authority as indicated in Special Condition of Contract shall, if justified, give a fair and reasonable extension of time and reschedule the mile stones for completion of work. Such extension of time or rescheduling of milestone/s shall be without prejudice to any other right or remedy of the parties in contract or in law; provided further that for concurrent delays under this sub clause and sub clause **5.2** to the extent the delay is covered under sub **clause 5.2** the contractor shall be entitled to only extension of time and no damages.
- 5.4** Request for rescheduling of Milestones or extension of time, to be eligible for consideration, shall be made by the Contractor in writing within 14 (fourteen days) of the happening of the event causing delay on the prescribed forms i.e. Form of application by the contractor for seeking rescheduling of milestones or Form of application by the contractor for seeking extension of time respectively to the authority as indicated in Special Conditions of Contract. The Contractor shall indicate in such a request the period by which rescheduling of milestone/s or extension of time is desired. With every request for rescheduling of milestones, or if at any time the actual progress of work falls behind the approved programme by more than 10% of the stipulated period of completion of contract, the contractor shall produce a revised programme, which shall include all details of pending drawings and decisions required to complete the contract and also the target dates by which these details should be available without causing any delay in execution of the work. A recovery as specified in Special Conditions of Contract shall be made on per day basis in case of delay in submission of the revised programme.
- 5.4.1** In any such case the authority as indicated in Special Conditions of Contract may give a fair and reasonable extension of time and reschedule the mile stones for completion of work. Such extension or rescheduling of the milestones shall be communicated to the Contractor by the authority as indicated in Special Conditions of Contract in writing, **within 21 days** of the date of receipt of such request respectively. Non application by the contractor for extension of time/ rescheduling of the milestones shall not be a bar for giving a fair and reasonable extension/ rescheduling of the milestones by the authority as indicated in Special Conditions of Contract and this shall be binding on the contractor.
- 5.5** In case the work is delayed by any reasons, in the opinion of the Engineer-in-Charge, by the contractor for reasons beyond the events mentioned in **Clause 5.2** or **Clause 5.3** or **Clause 5.4** and beyond the justified extended date; without prejudice to right to take action under **Clause 3**, the Engineer-in-Charge may grant extension of time required for completion of work without rescheduling of milestones. The contractor shall be liable for levy of compensation for delay for such extension of time.

#### **CLAUSE 6: MEASUREMENTS OF WORK DONE**

Engineer-in-Charge shall, except as otherwise provided, ascertain and determine by measurement, the value in accordance with the contract of work done.

All measurements of all items having financial value shall be entered by the contractor and compiled in the shape of the Measurement Book having pages of A-4 size as per the format of the WAPCOS so that a complete record is obtained of all the items of works performed under the contract.

All such measurements and levels recorded by the contractor or his authorized representative from time to time, during the progress of the work, shall be got checked by the contractor from the Engineer-in-Charge or his authorized representative as per interval or program fixed in consultation with Engineer-in-Charge or his authorized representative. After the necessary corrections made by the Engineer-in-Charge, the measurement sheets shall be returned to the contractor for incorporating the corrections and for resubmission to the Engineer-in-Charge for the dated signatures by the Engineer-in-Charge and the contractor or their representatives in token of their acceptance.

Whenever bill is due for payment, the contractor would initially submit draft computerized measurement sheets and these measurements would be got checked/test checked from the Engineer-in-Charge and/or his authorized representative. The contractor will, thereafter, incorporate such changes as may be done during these checks/test checks in his draft measurements, and submit to the WAPCOS a measurement book, duly bound, and with its pages machine numbered. The Engineer-in-Charge and/or his authorized representative would thereafter check this MB, and record the necessary certificates for their checks/test checks.

The final, fair, computerized measurement book given by the contractor, duly bound, with its pages machine numbered, should be 100% correct, and no cutting or over-writing in the measurements would thereafter be allowed. If at all any error is noticed, the contractor shall have to submit a fresh MB with its pages duly machine numbered and bound, after getting the earlier MB cancelled by the WAPCOS. This should be done before the corresponding bill is submitted to the WAPCOS Nodal Office for payment. The contractor shall submit two spare copies of such MB's for the purpose of reference and record by the various officers of the WAPCOS.

The contractor shall also submit to the WAPCOS separately his Abstract of Cost and the bill based on these measurements, duly bound, and its pages machine numbered along with two spare copies of the "bill. Thereafter, this bill will be processed by the Office-in-charge and allotted a number as per the computerized record in the same way as done for the measurement book meant for measurements. The contractor shall, without extra charge, provide all assistance with every appliance, labour and other things necessary for checking of measurements/levels by the Engineer-in-Charge or his representative.

Except where any general or detailed description of the work expressly shows to the contrary, measurements shall be taken in accordance with the procedure set forth in the specifications notwithstanding any provision in the relevant Standard Method of measurement or any general or local custom. In the case of items which are not covered by specifications, measurements shall be taken in accordance with the relevant standard method of measurement issued by the Bureau of Indian Standards and if for any item no such standard is available then a mutually agreed method shall be followed.

The contractor shall give, not less than 7 (seven) days' notice to the Engineer-in-Charge or his authorized representative in charge of the work, before covering up or otherwise placing beyond the reach of measurement any work in order that the same may be measured and correct dimensions thereof be taken before the same is covered up or placed beyond the reach of measurement and shall not cover up and place beyond reach of measurement any work without consent in writing of the Engineer-in-Charge or his authorized representative in charge of the work who shall within the aforesaid period of 7 (seven) days inspect the work, and if any work shall be covered up or placed beyond the reach of measurements without

such notice having been given or the Engineer-in-Charge's consent being obtained in writing, the same shall be uncovered at the Contractor's expense, or in default thereof no payment or allowance shall be made for such work or the materials with which the same was executed.

Engineer-in-Charge or his authorized representative may cause either themselves or through another officer of the WAPCOS to check the measurements recorded jointly or otherwise as aforesaid and all provisions stipulated herein above shall be applicable to such checking of measurements or levels.

It is also a term of this contract that recording of measurements of any item of work in the measurement book and/or its payment in the interim, on account or final bill shall not be considered as conclusive evidence as to the sufficiency of any work or material to which it relates nor shall it relieve the contractor from liabilities from any over measurement or defects noticed till completion of the defects liability period.

**CLAUSE 7: PAYMENT ON INTERMEDIATE CERTIFICATE TO BE REGARD AS ADVANCE  
----- NOT APPLICABLE**

No payment shall be made for work, estimated to cost Rs. **Twenty lacs** or less till after the whole of the work shall have been completed and certificate of completion given. For works estimated to cost over Rs. **Twenty lacs**, the interim or running account bills shall be submitted by the contractor for the work executed on the basis of such recorded measurements on the format of the WAPCOS in triplicate on or before the date of every month fixed for the same by the Engineer-in-Charge. The contractor shall not be entitled to be paid any such interim payment if the gross work done together with net payment/ adjustment of advances for material collected, if any, since the last such payment is less than the amount specified in Special Conditions of Contract, in which case the interim bill shall be prepared on the appointed date of the month after the requisite progress is achieved. Engineer-in-Charge shall arrange to have the bill verified by taking or causing to be taken, where necessary, the requisite measurements of the work. In the event of the failure of the contractor to submit the bills, Engineer-in-Charge shall prepare or cause to be prepared such bills in which event no claims whatsoever due to delays on payment including that of interest shall be payable to the contractor. Payment on account of amount admissible shall be made by the Engineer-in-Charge certifying the sum to which the contractor is considered entitled by way of interim payment at such rates as decided by the Engineer-in-Charge. An amount of ad-hoc payment not less than 75% of the net amount of the bill under check, shall be made within 10 working days of submission of the bill by the Contractor to the Engineer-in-Charge or his Authorized Engineer together with the account of the material issued by the department, or dismantled materials, if any. The remaining payment is also to be made after final checking of the bill within 28 working days of submission of bill by the contractor. In case of delay in payment of intermediate bills after 45 days of submission of bill by the contractor, provided the bill submitted by the contractor found to be in order, a simple interest @ 5% (five percent) per annum shall be paid to the contractor from the date of expiry of prescribed time limit.

All such interim payments shall be regarded as payment by way of advances against final payment only and shall not preclude the requiring of bad, unsound and imperfect or unskilled work to be rejected, removed, taken away and reconstructed or re-erected. Any certificate given by the Engineer-in-Charge relating to the work done or materials delivered forming part of such payment, may be modified or corrected by any subsequent such certificate(s) or by the final certificate and shall not by itself be conclusive evidence that any work or materials to which it relates is/are in accordance with the contract and specifications. Any such interim

payment, or any part thereof shall not in any respect conclude, determine or affect in any way powers of the Engineer-in-Charge under the contract or any of such payments be treated as final settlement and adjustment of accounts or in any way vary or affect the contract.

Pending consideration of extension of date of completion, interim payments shall continue to be made as herein provided without prejudice to the right of the WAPCOS to take action under the terms of this contract for delay in the completion of work, if the extension of date of completion is not granted by the competent authority.

The Engineer-in-Charge in his sole discretion on the basis of a certificate from the Engineer-In-Charge to the effect that the work has been completed up to the level in question make interim advance payments without detailed measurements for work done (other than foundations, items to be covered under finishing items) up to lintel level (including sunshade etc.) and slab level, for each floor working out at 75% of the assessed value. The advance payments so allowed shall be adjusted in the subsequent interim bill by taking detailed measurements thereof.

In case of composite tenders, running payment for the major component shall be made by Engineer-In-Charge of major discipline to the main contractor. Running payment for minor component shall be made by the Engineer-in-Charge of the discipline of minor component directly to the main contractor.

In case main contractor fails to make the payment to the contractor associated by him within 15 days of receipt of each running account payment, then on the written complaint of contractor associated for such minor component, Engineer in charge of minor component shall serve the show cause to the main contractor and if reply of main contractor either not received or found unsatisfactory, he may make the payment directly to the contractor associated for minor component as per the terms and conditions of the agreement drawn between main contractor and associate contractor fixed by him. Such payment made to the associate contractor shall be recovered by Engineer-in-charge of major or minor component from the next R/A/ final bill due to main contractor as the case may be.

**CLAUSE 7A:**

No Running Account Bill shall be paid for the work till the applicable labour licenses, registration with EPFO, ESIC and BOCW Welfare Board, whatever applicable are submitted by the contractor to the Engineer-in-Charge.

**CLAUSE 8: COMPLETION CERTIFICATE AND COMPLETION PLANS**

Within ten days of the completion of the work, the contractor shall give notice of such completion to the Engineer-in-Charge and within thirty days of the receipt of such notice, the Engineer-in-Charge shall inspect the work and if there is no defect in the work, shall furnish the contractor with a final certificate of completion, otherwise a provisional certificate of physical completion indicating defects (a) to be rectified by the contractor and/or (b) for which payment will be made at reduced rates, shall be issued. But no final certificate of completion shall be issued, nor shall the work be considered to be complete until the contractor shall have removed from the premises on which the work shall be executed all scaffolding, surplus materials, rubbish and all huts and sanitary arrangements required for his/their work people on the site in connection with the execution of the works as shall have been erected or constructed by the contractor(s) and cleaned off the dirt from all wood work, doors, windows, walls, floor or other parts of the building, in, upon, or about which the work is to be executed or of which he may have had possession for the purpose of the execution; thereof, and not



until the work shall have been measured by the Engineer-in-Charge. If the contractor shall fail to comply with the requirements of this Clause as to removal of scaffolding, surplus materials and rubbish and all huts and sanitary arrangements as aforesaid and cleaning off dirt on or before the date fixed for the completion of work, the Engineer-in-Charge may at the expense of the contractor remove such scaffolding, surplus materials and rubbish etc., and dispose of the same as he thinks fit and clean off such dirt as aforesaid, and the contractor shall have no claim in respect of scaffolding or surplus materials as aforesaid except for any sum actually realized by the sale thereof.

#### **CLAUSE 8A: COMPLETION PLANS TO BE SUBMITTED BY THE CONTRACTOR**

The contractor shall submit completion plans for Internal and External Civil, Electrical and Mechanical Services within thirty days of the completion of the work, provided that the service plans having been issued for execution by the Engineer-in-Charge, unless the contractor, by virtue of any other provision in the contract, is required to prepare such plans.

In case, the contractor fails to submit the completion plan as aforesaid, he shall be liable to pay a sum of 0.1 % (zero point one percent) of accepted Tendered Value or limit prescribed in Special Condition of Contract whichever is more as may be fixed by the authority as mentioned in Special Condition of Contract and in this respect the decision of the that authority shall be final and binding on the contractor.

#### **CLAUSE 9 : PAYMENT OF FINAL BILL**

The final bill shall be submitted by the contractor in the same manner as specified in interim bills within three months of physical completion of the work or within one month of the date of the final certificate of completion furnished by the Engineer-in- Charge whichever is earlier. No further claims shall be made by the contractor after submission of the final bill and these shall be deemed to have been waived and extinguished. Payments of those items of the bill in respect of which there is no dispute and for those items which are in dispute on account of quantity and/or rates shall be paid at approved quantity and/or rates by the Engineer-in-Charge, within **three months** period reckoned from the date of receipt of the bill by the Engineer in- Charge or his authorized Assistant Engineer, complete with account of materials issued by the Department and dismantled materials.

- |   |          |
|---|----------|
| a) Tendered value of work is up to Rs. 1.0 Crore                                  | 2 months |
| b) If the Tendered value of work is more than Rs.1.0 crore and up to Rs. 10 Crore | 3 months |
| c) If the Tendered value of work exceeds Rs. 10 Crore                             | 6 months |

#### **CLAUSE 9A : PAYMENT OF CONTRACTOR'S BILLS TO BANKS**

Payments due to the contractor may, if so desired by him, be made to his bank, registered financial, co-operative or thrift societies or recognized financial institutions instead of direct to him provided that the contractor furnishes to the Engineer-in-Charge (1) an authorization in the form of a legally valid document such as a power of attorney conferring authority on the bank; registered financial, co-operative or thrift societies or recognized financial institutions to receive payments and (2) his own acceptance of the correctness of the amount made out as being due to him by WAPCOS or his signature on the bill or other claim preferred against WAPCOS before settlement by the Engineer- in-Charge of the account or claim by payment to the bank, registered financial, co-operative or thrift societies or recognized financial institutions. While the receipt given by such banks; registered financial, co-operative or thrift societies or recognized financial institutions shall constitute a full and sufficient discharge for

the payment, the contractor shall whenever possible present his bills duly receipted and discharged through his bank, registered financial, co-operative or thrift societies or recognized financial institutions.

Nothing herein contained shall operate to create in favour of the bank; registered financial, co-operative or thrift societies or recognized financial institutions any rights or equities vis-à-vis the WAPCOS.

o

**CLAUSE 10: MATERIALS SUPPLIED BY WAPCOS-----NOT APPLICABLE**

Materials which WAPCOS will supply are shown in Special Conditions of Contract (SCC) which also stipulates quantum, place of issue and rate(s) to be charged in respect thereof. The contractor shall be bound to procure them from the Engineer-in-Charge.

As soon as the work is awarded, the contractor shall finalize the programme for the completion of work as per clause 5 of this contract and shall give his estimates of materials required on the basis of drawings/or schedule of quantities of the work. The Contractor shall give in writing his requirement to the Engineer-in-Charge which shall be issued to him keeping in view the progress of work as assessed by the Engineer-in-Charge, in accordance with the agreed phased programme of work indicating monthly requirements of various materials. The contractor shall place his indent in writing for issue of such materials at least 7 days in advance of his requirement.

Such materials shall be supplied for the purpose of the contract only and the value of the materials so supplied at the rates specified in the aforesaid schedule shall be set off or deducted, as and when materials are consumed in items of work (including normal wastage) for which payment is being made to the contractor, from any sum then due or which may therefore become due to the contractor under the contract or otherwise or from the security deposit. At the time of submission of bills, the contractor shall certify that balance of materials supplied is available at site in original good condition.

The contractor shall submit along with every running bill (on account or interim bill) material wise reconciliation statements supported by complete calculations reconciling total issue, total consumption and certified balance (diameter/section-wise in the case of steel) and resulting variations and reasons therefore. Engineer-in-Charge shall (whose decision shall be final and binding on the contractor) be within his rights to follow the procedure of recovery in clause 42 at any stage of the work if reconciliation is not found to be satisfactory.

The contractor shall bear the cost of getting the material issued, loading, transporting to site, unloading, storing under cover as required, cutting assembling and joining the several parts together as necessary. Notwithstanding anything to the contrary contained in any other clause of the contract and (or the CPWA Code) all stores/materials so supplied to the contractor or procured with the assistance of the WAPCOS shall remain the absolute property of WAPCOS and the contractor shall be the trustee of the stores/materials, and the said stores/materials shall not be removed/disposed off from the site of the work on any account and shall be at all times open to inspection by the Engineer-in-Charge or his authorized agent. Any such stores/materials remaining unused shall be returned to the Engineer-in- Charge in as good a condition in which they were originally supplied at a place directed by him, at a place of issue or any other place specified by him as he shall require, but in case it is decided not to take back the stores/materials the contractor shall have no claim for compensation on any account of such stores/materials so supplied to him as aforesaid and not used by him or for any wastage in or damage to in such stores/materials.

On being required to return the stores/materials, the contractor shall hand over the stores/materials on being paid or credited such price as the Engineer-in-Charge shall determine, having due regard to the condition of the stores/materials. The price allowed for credit to the contractor, however, shall be at the prevailing market rate not exceeding the amount charged to him, excluding the storage charge, if any. The decision of the Engineer-in-Charge shall be final and conclusive. In the event of breach of the aforesaid condition, the contractor shall in addition to throwing himself open to account for contravention of the terms of the licenses or permit and/or for criminal breach of trust, be liable to WAPCOS for all advantages or profits resulting or which in the usual course would have resulted to him by reason of such breach. Provided that the contractor shall in no case be entitled to any compensation or damages on account of any delay in supply or non-supply thereof all or any such materials and stores provided further that the contractor shall be bound to execute the entire work if the materials are supplied by the WAPCOS within the original scheduled time for completion of the work plus 50% thereof or schedule time plus 6 months whichever is more if the time of completion of work exceeds 12 months, but if a part of the materials only has been supplied within the aforesaid period, then the contractor shall be bound to do so much of the work as may be possible with the materials and stores supplied in the aforesaid period. For the completion of the rest of the work, the contractor shall be entitled to such extension of time as may be determined by the Engineer-in-Charge whose decision in this regard shall be final and binding on the contractor.

The contractor shall see that only the required quantities of materials are got issued. Any such material remaining unused and in perfectly good/original condition at the time of completion or determination of the contract shall be returned to the Engineer-in-Charge at the stores from which it was issued or at a place directed by him by a notice in writing. The contractor shall not be entitled for loading, transporting, unloading and stacking of such unused material except for the extra lead, if any involved, beyond the original place of issue.

#### **CLAUSE 10A: MATERIALS TO BE PROVIDED BY CONTRACTOR**

The contractor shall, at his own expense, provide all materials, required for the works other than those which are stipulated to be supplied by the WAPCOS

The contractor shall, at his own expense and without delay, supply to the Engineer-in-Charge samples of materials to be used on the work and shall get these approved in advance. All such materials to be provided by the Contractor shall be in conformity with the specifications laid down or referred to in the contract. The contractor shall, if requested by the Engineer-in-Charge furnish proof, to the satisfaction of the Engineer-in-Charge that the materials so comply. The Engineer-in-Charge shall within thirty days (30) of supply of samples or within such further period as he may require intimate to the Contractor in writing whether samples are approved by him or not. If samples are not approved, the Contractor shall forthwith arrange to supply to the Engineer-in-Charge for his approval, fresh samples complying with the specifications laid down in the contract. When materials are required to be tested in accordance with specifications, approval of the Engineer-in-Charge shall be issued after the test results are received.

The Contractor shall at his risk and cost submit the samples of materials to be tested or analyzed and shall not make use of or incorporate in the work any materials represented by the samples until the required tests or analysis have been made and materials finally accepted by the Engineer-in-Charge. The Contractor shall not be eligible for any claim or compensation either arising out of any delay in the work or due to any corrective measures required to be

taken on account of and as a result of testing of materials.

The contractor shall, at his risk and cost, make all arrangements and shall provide all facilities as the Engineer-in-Charge may require for collecting, and preparing the required number of samples for such tests at such time and to such place or places as may be directed by the Engineer-in-Charge and bear all charges and cost of testing unless specifically provided for otherwise elsewhere in the contract or specifications. The Engineer-in-Charge or his authorized representative shall at all times have access to the works and to all workshops and places where work is being prepared or from where materials, manufactured articles or machinery are being obtained for the works and the contractor shall afford every facility and every assistance in obtaining the right to such access.

The Engineer-in-Charge shall have full powers to require the removal from the premises of all materials which in his opinion are not in accordance with the specifications and in case of default, the Engineer-in-Charge shall be at liberty to employ at the expense of the contractor, other persons to remove the same without being answerable or accountable for any loss or damage that may happen or arise to such materials. The Engineer-in-Charge shall also have full powers to require other proper materials to be substituted thereof and in case of default, the Engineer-in-Charge may cause the same to be supplied and all costs which may attend such removal and substitution shall be borne by the Contractor.

The contractor shall at his own expense, provide a material testing lab at the site for conducting routine field tests. The lab shall be equipped at least with the testing equipment as specified in Special Conditions of Contract.

Minimum 01 year warranty for Mechanical & Electrical Equipment and other bought out items, at the discretion of WAPCOS Limited, if supplied directly by the contractor. The standard warranty period offered by the Manufacturer shall be retained, in case the original warranty period is more than one year.

#### **CLAUSE 10B:**

##### **I. SECURED ADVANCE ON NON-PERISHABLE MATERIALS**

The contractor, on signing an indenture in the form to be specified by the Engineer-in-Charge, shall be entitled to be paid during the progress of the execution of the work up to 75% of the assessed value of any materials which are in the opinion of the Engineer-in-Charge non-perishable, non-fragile and non-combustible and are in accordance with the contract and which have been brought on the site in connection therewith and are adequately stored and/or protected against damage by weather or other causes but which have not at the time of advance been incorporated in the works. When materials on account of which an advance has been made under this sub-clause are incorporated in the work, the amount of such advance shall be recovered/ deducted from the next payment made under any of the clause or clauses of this contract.

Such secured advance shall also be payable on other items of perishable nature, fragile and combustible with the approval of the Engineer-in-Charge provided the contractor provides a comprehensive insurance cover for the full cost of such materials. The decision of the Engineer-in-Charge shall be final and binding on the contractor in this matter. No secured advance, shall however, be paid on high-risk materials such as ordinary glass, sand, petrol, diesel etc.

## **II. MOBILISATION ADVANCE**

Mobilization advances not exceeding 10% of the tendered amount may be given, if requested by the contractor in writing within six months of the order to commence the work. Such advance shall be released in two or more installments to be determined by the Engineer in- Charge. The amount of any installment shall not exceed 5% of the tendered amount of the work. The first installment of such advance shall be released by the Engineer-incharge to the contractor on his request. The second and subsequent installments shall be released by the Engineer-in-Charge only after the contractor furnishes a proof of the satisfactory utilization of full amount of the earlier installment(s) to the satisfaction of the Engineer-in-Charge. The mobilization advance will be utilized for the following:

Establishment of site office for contractor and WAPCOS staff, testing lab, labour camps & basic amenities services for labour/staff, cement godown, reinforcement yard, stores etc.

For purchase/mobilization of any type of tool, plant and machinery required for execution of work such as concrete batch mix plant, mixtures, transit mixtures, loader, excavators dumpers, DG sets, a. vibrators, hot mix bitumen plant, paver, rollers, testing lab equipment's etc.

Barricading of site and procurement of centering / shuttering / staging material etc.

Any other item as mentioned in NIT by the NIT approving authority.

90% of the price of new items and 50% of the depreciated price of old items will be considered for assessing the utilized amount of mobilization advance.

Expenditure incurred on items/materials which are measureable and payable under agreement/extra items as well as materials eligible for secured advance will be excluded from utilized amount of mobilization advance, if any.

The assessment of Engineer-in-Charge in this respect shall be final and binding.

Before any installment of advance is released, the contractor shall execute Bank Guarantee Bonds not more than 6 (six) in number from commercial Bank for the amount equal to 110% of the amount of advance and valid for the period till recovery of advance. This (Bank Guarantee from commercial Bank on prescribed format for the amount equal to 110% of the balance amount of advance) shall be kept renewed from time to time to cover the balance amount and likely period of complete recovery.

## **III. INTEREST & RECOVERY**

The mobilization advance in (1) above bear simple interest at the rate of 10 percent per annum and shall be calculated from the date of payment to the date of recovery, both days inclusive, on the outstanding amount of advance. Recovery of such sums advanced shall be made by the deduction from the contractors bills commencing after first ten percent of the gross value of the work is executed and paid, on pro-rata percentage basis to the gross value of the work billed beyond 10% in such a way that the entire advance is recovered by the time 80% (eighty percent) of the gross value of the contract is executed and paid, together with interest due on the entire outstanding amount up to the date of recovery of the installment.

**IV.** If the circumstances are considered reasonable by the Engineer-in-Charge, the period mentioned in (1) and (2) for request by the contractor in writing for grant of mobilization advance may be extended at the discretion of the Engineer-in-Charge.

**CLAUSE 10 C: PAYMENT ON ACCOUNT OF INCREASE IN PRICE / WAGES DUE TO STATUTORY ORDER -----NOT APPLICABLE**

If after submission of the tender, the price of any material incorporated in the works (excluding the materials covered under Clause 10CA and not being a material supplied from the Engineer-in- Charge's stores in accordance with Clause 10 thereof) and/or wages of labour increases as a direct result of the coming into force of any fresh law, or statutory rule or order (but not due to any changes of rate in sales tax/VAT, Central/State Excise/Custom Duty) beyond the prices/wages prevailing at the time of the last stipulated date of receipt of tenders including extensions, if any, for the work during contract period including the justified period extended under the provisions of clause 5 of the contract without any action under clause 2, then the amount of the contract shall accordingly be varied.

If after submission of the tender, the price of any material incorporated in the works (excluding the materials covered under Clause 10CA and not being a material supplied from the Engineer-in- Charge's stores in accordance with Clause 10 thereof) and/or wages of labour as prevailing at the time of last stipulated date of receipt of tender including extensions, if any, is decreased as a direct result of the coming into force of any fresh law or statutory rules or order (but not due to any changes of rate in sales tax/VAT, Central/State Excise/Custom Duty), WAPCOS shall in respect of materials incorporated in the works (excluding the materials covered under Clause 10CA and not being material supplied from the Engineer-in-Charge's stores in accordance with Clause 10 hereof) and/or labour engaged on the execution of the work after the date of coming into force of such law statutory rule or order be entitled to deduct from the dues of the contractor, such amount as shall be equivalent to the difference between the prices of the materials and/or wages as prevailed at the time of the last stipulated date for receipt of tenders including extensions if any for the work and the prices of materials and/or wages of labour on the coming into force of such law, statutory rule or order. This will be applicable for the contract period including the justified period extended under the provisions of clause 5 of the contract without any action under clause 2.

Engineer-in-Charge may call books of account and other relevant documents from the contractor to satisfy himself about reasonability of increase in prices of materials and wages.

The contractor shall, within a reasonable time of his becoming aware of any alteration in the price of any such materials and/or wages of labour, give notice thereof to the Engineer-in-Charge stating that the same is given pursuant to this condition together with all information relating thereto which he may be in position to supply.

For this purpose, the labour component of 85% of the value of the work executed during period under consideration shall not exceed the percentage as specified in Special Conditions of Contract, and the increase/decrease in labour shall be considered on the minimum daily wages in rupees of any unskilled Mazdoor, fixed under any law statutory role and order. The cost of work for which escalation is applicable (W) is same as cost of work done worked out as indicated in sub-para (ii) of clause 10 CC except the amount of full assessed value of secured Advance.

**CLAUSE 10 CA: PAYMENT DUE TO VARIATION IN PRICES OF MATERIALS AFTER RECEIPT OF TENDER-----NOT APPLICABLE**

If after submission of the tender, the price of materials specified in Special Conditions of Contract increases/ decreases beyond the base price(s) as indicated in Special Conditions of Contract for the work, then the amount of the contract shall accordingly be varied and provided

further that any such variations shall be effected for stipulated period of Contract including the justified period extended under the provisions of Clause 5 of the Contract without any action under Clause 2.

However for work done/during the justified period extended as above, it will be limited to indices prevailing at the time of updated stipulated date of completion considering the effect of extra work (extra time to be calculated on pro-rata basis only as cost of extra work x stipulated period/tendered cost).

The increase/decrease in prices of cement, steel reinforcement, structural steel and POL shall be determined by the Price indices Economic Advisor to Government of India, Ministry of Commerce and Industry. For other items provided in the Special Conditions of Contract, this shall be determined by the All India Wholesale Price Indices of materials as published by Economic Advisor to Government of India, Ministry of Commerce and Industry. Base price for cement, steel reinforcement, structural steel and POL shall be as issued by the state / Central Govt. from time to time. In case, price index of a particular material is not issued by Ministry of Commerce and Industry, then the price index of nearest similar material as indicated in Special Conditions of Contract shall be followed.

The amount of the contract shall accordingly be varied for all such materials and will be worked out as per the formula given Clause 10CA of General Conditions of Contract.

**CLAUSE 10CC: PRICE ADJUSTMENT FOR WORKS----- NOT APPLICABLE**

If the prices of materials and/or wages of labour required for execution of the work increase, the contractor shall be compensated for such increase as per provisions detailed below and the amount of the contract shall accordingly be varied, subject to the condition that such compensation for escalation in prices and wages shall be available only for the work done during the stipulated period of the contract including the justified period extended under the provisions of clause 5 of the contract without any action under clause 2. Such compensation For escalation in the prices of materials and labour, when due, shall be worked out based on the following provisions:

- (i) The base date for working out such escalation shall be the last stipulated date of receipt of tenders including extension, if any.
- (ii) The cost of work on which escalation will be payable shall be reckoned as below :
  - a) Gross value of work done up to this quarter : (A)
  - b) Gross value of work done up to the last quarter : (B)
  - c) Gross value of work done since previous quarter (C) = (A-B)
  - d) Full assessed value of Secured Advance fresh paid in this quarter : (D)
  - e) Full assessed value of Secured Advance recovered in this quarter : (E)
  - f) Full assessed value of Secured Advance for which escalation Payable in this quarter, (F) = (D-E)
  - g) Advance payment made during this quarter: (G)
  - h) Advance payment recovered during this quarter: (H)
  - i) Advance payment for which escalation is payable in this Quarter (I) = (G-H)
  - j) Amount paid based on prevailing market rates due to deviations/variations as per clause 12 during this quarter: (J)

$$\text{Then, } M = C+F+I-J$$

Cost of work for which escalation is applicable (W) = 0.85M

Components for materials, labour, etc. shall be pre-determined for every work and incorporated in the conditions of contract attached to the tender documents included in

Schedule 'F'. The decision of the Engineer-in-Charge in working out such percentage shall be binding on the contractors.

- (iii) The following principles shall be followed while working out the payment/recovery on account of variation of prices of materials and/ or wages of labour.
- a) The compensation for escalation shall be worked out at quarterly intervals and shall be with respect to the cost of work done as per bills paid during the three calendar months of the said quarter. The date of submission of bill by the contractor to the department shall be the guiding factor to decide the bills relevant to the quarterly interval. The first such payment shall be made at the end of three months after the month (excluding the month in which the letter of commencement of work is issued by the Engineer-in-Charge) and thereafter at three months' interval. At the time of completion of the work, the last period for payment might become less than 3 months, depending on the actual date of completion.
  - b) The indices as defined below (excluding LI) relevant to any quarter/period for which such compensation is to be paid shall be the arithmetical average of the indices relevant to the three calendar months. If the period up to the date of completion after the quarter covered by the last such installment of payment, is less than three months, the indices shall be the average of the indices for the months falling within that period.
  - c) The minimum wage of an unskilled Mazdoor shall be the higher of the wage notified by Government of India, Ministry of Labour and that notified by the local administration both relevant to the place of work and the period of reckoning.
  - d) The escalation for labour also shall be paid at the same quarterly intervals when escalation due to increase in cost of materials is paid under this clause. If such revision of minimum wages takes place during any such quarterly intervals, the escalation compensation shall be payable at revised rates only for work done in subsequent quarters;
  - e) Irrespective of variations in minimum wages of any category of labour, for the purpose of this clause, the variation in the rate for an unskilled Mazdoor alone shall form the basis for working out the escalation compensation payable on the labour component.
- (iv) In the event the price of materials and/or wages of labour required for execution of the work decreases, there shall be a downward adjustment of the cost of work so that such price of materials and/or wages of labour shall be deductible from the cost of work under this contract and in this regard the formula herein stated below under this Clause 10CC shall mutatis mutandis apply.
- (v) The contract price shall be adjusted for increase or decrease in rates and prices of labour, cement, steel reinforcement bar, fuel and lubricants and other input materials as per percentage of materials/labour specified in schedule F and in accordance with the principles, procedures and formulae specified below:
- a) Price adjustment for change in cost shall be paid in accordance with the following formulae:
    - (i) For Construction period of this work:  

$$VW = W * (1/100) * [CP * (CI - CO) / CO + LP * (LI - LO) / LO + CMP * (CMI - CMO) / CMO + EMP * (EMI - EMO) / EMO + FP * (FI - FO) / FO + SP * (SI - SO) / SO + Bp * (BI - Bo) / BO]$$



Where, W=cost of work done as per para (ii) above.

VW (Variation of cost of Work) =Increase or decrease in the cost of works during the period under consideration due to change in the rates for relevant components.

Percentage components of materials & labour as defined as under:-

- CP - Cement component,
- LP - Labour component,
- CMp - Civil component of other construction materials,
- EMp - E & M component of construction materials
- Fp - POL (Diesel) component
- Sp - Reinforcement steel bars/TMT bars/structural steel (including strands and cables) component
- Bp - Bitumen component

Indices for various components of materials & labour to be used for the purpose of this Clause are defined as under:

Co = Wholesale Price Index for Pozzolana Cement published by office of the Economic Adviser, Ministry of Industry & Commerce valid for the month of ast date of receipt of tender including extension, if any.

CI = Wholesale Price Index for Pozzolana Cement published by office of the Economic Adviser, Ministry of Industry & Commerce for the period under consideration.

LO =Minimum daily wage in rupees of an unskilled adult mazdoor, fixed under any law, statutory rule or order as on the last date of receipt of tender including extension, if any.

LI = Minimum wage in rupees of an unskilled adult mazdoor, fixed under any law, statutory rule or order as applicable on the last date of the quarter previous to the one under consideration.

CMo = Price Index for civil components of other construction materials valid for the month of the last date of receipt of tender including extension, if any, as issued by the office of CE CSQ (Civil) or successor.

CMi = Price Index for civil components of other construction materials for the period under consideration and as issued by the office of CE CSQ (Civil) or successor.

EMo = Price Index for E & M components of construction materials valid for the month of the last date of receipt of tender including extension, if any, as issued by the office of CE CSQ (Electrical) or successor.

EMI = Price Index for E & M components of construction materials for the period under consideration and as issued by the office of CE CSQ (Electrical) or successor.

Fo = Wholesale Price Index of HSD (High Speed Diesel)published by office of the Economic Adviser, Ministry of Industry & Commerce valid for the month of the last date of receipt of tender including extension, if any.

Fi = Wholesale Price Index of HSD (High Speed Diesel) published by office of the Economic Adviser, Ministry of Industry & Commerce for the period under consideration.

SO = Wholesale Price Index of Mild Steel-long products published by office of the Economic Adviser, Ministry of Industry & Commerce valid for the month of the last date of receipt of tender including extension, if any

SI = Wholesale Price Index of Mild Steel-long products published by office of the Economic Adviser, Ministry of Industry & Commerce for the period under consideration.

BO = Wholesale Price Index of Bitumen published by office of the Economic Adviser, Ministry of Industry & Commerce valid for the month of the last date of receipt of tender including extension, if any

BI = Wholesale Price Index of Bitumen published by office of the Economic Adviser, Ministry of Industry & Commerce for the period under consideration.

(v) Provided always that:

(a) Where provisions of clause 10CC are applicable, provisions of clause 10C will not be applicable.

(b) Where provisions of clause 10CC are not applicable, provisions of clause 10C will become applicable.

#### **CLAUSE 10 D: DISMANTLED MATERIAL WAPCOS PROPERTY**

The contractor shall treat all materials obtained during dismantling of a structure, excavation of the site for a work, etc. as WAPCOS' property and such materials shall be disposed of to the best advantage of WAPCOS according to the instructions in writing issued by the Engineer-in-Charge.

#### **CLAUSE 11: WORKS TO BE EXECUTED IN ACCORDANCE WITH SPECIFICATIONS, DRAWINGS, and ORDERS etc.**

The contractor shall execute the whole and every part of the work in the most substantial and workmanlike manner both as regards materials and otherwise in every respect in strict accordance with the specifications. The contractor shall also conform exactly, fully and faithfully to the design, drawings and instructions in writing in respect of the work signed by the Engineer-in-Charge and the contractor shall be furnished free of charge one copy of the contract documents together with specifications, designs, drawings and instructions as are not included in the standard specifications specified in Special Conditions of Contract or in any Bureau of Indian Standard or any other, published standard or code or, Schedule of Rates or any other printed publication referred to elsewhere in the contract.

The contractor shall comply with the provisions of the contract and with the care and diligence execute and maintain the works and provide all labour and materials, tools and plants including for measurements and supervision of all works, structural plans and other things of temporary or permanent nature required for such execution and maintenance in so far as the necessity for providing these, is specified or is reasonably inferred from the contract. The Contractor shall take full responsibility for adequacy, suitability and safety of all the works and methods of construction.

At least to 10% of prescribed Tests as per Central Public Works Department Manual/IS Codes of construction materials shall be carried out from the outside approved/NABL recognized Laboratory as may be approved by WAPCOS without any extra expenditure to WAPCOS.

The Contractor shall establish a field test laboratory on the site with latest equipment for carrying out field tests of construction materials and will maintain proper records of all the test results.

#### **CLAUSE 12: DEVIATIONS / VARIATIONS EXTENT AND PRICING**

The Engineer-in-Charge shall have power (i) to make alteration in, omissions from, additions to, or substitutions for the original specifications, drawings, designs and instructions that may appear to him to be necessary or advisable during the progress of the work, and (ii) to omit a

part of the works in case of non-availability of a portion of the site or for any other reasons and the contractor shall be bound to carry out the works in accordance with any instructions given to him in writing signed by the Engineer-in-Charge and such alterations, omissions, additions or substitutions shall form part of the contract as if originally provided therein and any altered, additional or substituted work which the contractor may be directed to do in the manner specified above as part of the works, shall be carried out by the contractor on the same conditions in all respects including price on which he agreed to do the main work except as hereafter provided. The completion cost of any agreement for Maintenance works including works of up gradation, aesthetic, special repair, addition/ alteration should not exceed 1.25 times of Tendered amount. Any further deviation beyond this limit up-to 1.5 times of tendered amount shall be approved by the authority with recorded reason and in exceptional case, shall have full power to approve the deviation beyond 1.50 times of tendered amount with recorded reason and take suitable corrective action.

**12.1** The time for completion of the works shall, in the event of any deviations resulting in additional cost over the tendered value sum being ordered, be extended, if requested by the contractor, as follows:

- (i) In the proportion which the additional cost of the altered, additional or substituted work, bears to the original tendered value plus
- (ii) 25% of the time calculated in (i) above or such further additional time as may be considered reasonable by the Engineer-in-Charge.

**12.2 (a) Deviations, Extra Items and Pricing**

In the case of extra item(s) (items which are not available in the contract), the contractor may within fifteen days of the receipt of order or occurrence of the item(s), submit claim for market rate(s), supported with proper analysis of rate and manufacturer's specification for the work, invoices, vouchers, etc. (as applicable), failing which the rate(s) approved later by the Engineer-in-Charge shall be final and binding. Where the contractor submits claim for market rate(s) in the manner prescribed above, the Engineer-in-Charge shall, within 45 days of the receipt of the claims, after giving consideration to the analysis of rates and other documents submitted by the contractor, determine the rates on the basis of the market rates and the contractor shall be paid in accordance with the rates so determined.

The rate(s) of extra items so determined by the Engineer-in-Charge shall be final and binding on the contractor, and shall not be arbitrable.

**12.2 (b) Deviations, Substituted Items and Pricing.**

In the case of substituted items (items that are taken up with partial substitution or in lieu of items of work in the contract), the rate for the agreement item (to be substituted) and substituted item shall also be determined in the manner as mentioned in the following para.

- (a) If the market rate for the substituted item so determined is more than the market rate of the agreement item (to be substituted), the rate payable to the contractor for the substituted item shall be the rate for the agreement item (to be substituted) so increased to the extent of the difference between the market rates of substituted item and the agreement item (to be substituted).
- (b) If the market rate for the substituted item so determined is less than the market rate of the agreement item (to be substituted), the rate payable to the contractor for the substituted item shall be the rate for the agreement item (to be substituted) so decreased to the extent of the difference between the market rates of substituted item and the agreement item (to be substituted).

**12.2 (c) Deviations, Deviated Quantities, Pricing**

In the case of contract items which exceed the limit laid down, the contractor may within fifteen days of the receipt of order or occurrence of the excess, claim revision of the rates, supported with proper analysis of rate and invoices, vouchers, etc. (as applicable), for the quantity in excess of the above-mentioned limit. The Engineer-in-Charge shall within 45 days of receipt of the claims, after giving consideration to the analysis of rates and other documents submitted by the contractor, determine the rates on the basis of the market rates and the contractor shall be paid in accordance with the rates so determined.

The rate(s) of extra items so determined by the Engineer-in-Charge shall be final and binding on the contractor, and shall not be arbitrable.

- 12.3** The provisions of the preceding paragraph shall also apply to the decrease in the rates of items for the work in excess of the limits laid down in Special Conditions of Contract, and the Engineer-in-Charge shall after giving notice to the contractor within one month of occurrence of the excess and after taking into consideration any reply received from him within fifteen days of the receipt of the notice, revise the rates for the work in question within one month of the expiry of the said period of fifteen days having regard to the market rates.
- 12.4** The cost of any operation necessarily in contemplation of tenderer while quoting tender or necessary or incidental to proper execution of an item of work included in the Schedule of Quantities or in the Schedule of Rates mentioned, whether or not specifically indicated in the description of the item and the relevant specifications, shall be deemed to be included in the rates quoted by the tenderer or the rate given in the said Schedule of Rates, as the case may be. Nothing extra shall be admissible for such operations.
- 12.5** The contractor shall send to the Engineer-in-Charge once every three months, an up to date account giving complete details of all claims for additional payments to which the contractor may consider himself entitled and of all additional work ordered by the Engineer-in-Charge which he has executed during the preceding quarter failing which the contractor shall be deemed to have waived his right.
- 12.6** For the purpose of operation of Special Conditions of Contract, the following works shall be treated as works relating to foundation unless & otherwise defined in the contract:
- (i) For Buildings: All works up to 1.2 metres above ground level or up to floor 1 level whichever is lower.
  - (ii) For abutments, piers and well staining: All works up to 1.2 m above the bed level.
  - (iii) For retaining walls, wing walls, compound walls, chimneys, overhead reservoirs/tanks and other elevated structures: All works up to 1.2 metres above the ground level.
  - (iv) For reservoirs/tanks (other than overhead reservoirs/tanks): All works up to 1.2 metres above the ground level.
  - (v) For basement: All works up to 1.2 m above ground level or up to floor 1 level whichever is lower.
  - (vi) For Roads, all items of excavation and filling including treatment of sub base.
- 12.7** Any operation incidental to or necessarily has to be in contemplation of tenderer while

filing, tender, or necessary for proper execution of the item included in the Schedule of quantities or in the schedule of rates mentioned above, whether or not, specifically indicated in the description of the item and the relevant specifications, shall be deemed to be included in the rates quoted by the tenderer or the rate given in the said schedule of rates, as the case may be. Nothing extra shall be admissible for such operations.

**CLAUSE 13: FORECLOSURE OF CONTRACT DUE TO ABANDONMENT OR REDUCTION IN SCOPE OF WORK**

If at any time after acceptance of the tender, Engineer-in-charge shall decide to abandon or reduce the scope of the works for any reason whatsoever and hence not require the whole or any part of the works to be carried out, the Engineer-in-Charge shall give notice in writing to that effect to the contractor and the contractor shall act accordingly in the matter. The contractor shall have no claim to any payment of compensation or otherwise whatsoever, on account of any profit or advantage which he might have derived from the execution of the works in full but which he did not derive in consequence of the foreclosure of the whole or part of the works.

The contractor shall be paid at contract rates, full amount for works executed at site and, in addition, a reasonable amount as certified by the Engineer-in-Charge for the items hereunder mentioned which could not be utilized on the work to the full extent in view of the foreclosure;

- (i) Any expenditure incurred on preliminary site work, e.g. temporary access roads, temporary labour huts, staff quarters and site office; storage accommodation and water storage tanks.
- (ii) WAPCOS shall have the option to take over contractor's materials or any part thereof either brought to site or of which the contractor is legally bound to accept delivery from suppliers (for incorporation in or incidental to the work). Provided, however WAPCOS shall be bound to take over the materials or such portions thereof as the contractor does not desire to retain. For materials taken over or to be taken over by WAPCOS, cost of such materials as detailed by Engineer-in-Charge shall be paid. The cost shall, however, take into account purchase price, cost of transportation and deterioration or damage which may have been caused to materials whilst in the custody of the contractor.
- (iii) If any materials supplied by WAPCOS are rendered surplus, the same except normal wastage shall be returned by the contractor to WAPCOS at rates not exceeding those at which these were originally issued, less allowance for any deterioration or damage which may have been caused whilst the materials were in the custody of the contractor. In addition, cost of transporting such materials from site to WAPCOS stores, if so required by WAPCOS, shall be paid.
- (iv) Reasonable compensation for transfer of T & P from site to contractor's permanent stores or to his other works, whichever is less. If T & P are not transported to either of the said places, no cost of transportation shall be payable.
- (v) Reasonable compensation for repatriation of contractor's site staff and imported labour to the extent necessary.

The contractor shall, if required by the Engineer-in-Charge, furnish to him, books of account, wage books, time sheets and other relevant documents and evidence as may be necessary to enable him to certify the reasonable amount payable under this condition.

The reasonable amount of items above shall not be in excess of 2% of the cost of the work remaining incomplete on the date of closure, i.e. total stipulated cost of the work as per accepted tender less the cost of work actually executed under the contract and less the cost of contractor's materials at site taken over by the WAPCOS as per item (ii) above. Provided always that against any payments due to the contractor on this account or otherwise, the Engineer-in-Charge shall be entitled to recover or be credited with any outstanding balances due from the contractor for advance paid in respect of any tool, plants and materials and any other sums which at the date of termination were recoverable by the WAPCOS from the contractor under the terms of the contract.

In the event of action being taken under Clause 13 to reduce the scope of work, the contractor may furnish fresh Performance Guarantee on the same conditions, in the same manner and at the same rate for the balance tendered amount and initially valid up to the extended date of completion or stipulated date of completion if no extension has been granted plus minimum 60 days beyond that. Wherever such a fresh Performance Guarantee is furnished by the contractor the Engineer-in-Charge may return the previous Performance Guarantee.

#### **CLAUSE 14: CARRYING OUT PART WORK AT RISK & COST OF CONTRACTOR**

If contractor:

- (i) At any time makes default during currency of work or does not execute any part of the work with due diligence and continues to do so even after a notice in writing of 7 days in this respect from the Engineer-in-Charge; or
- (ii) Commits default in complying with any of the terms and conditions of the contract and does not remedy it or takes effective steps to remedy it within 7 days even after a notice in writing is given in that behalf by the Engineer-in-Charge; or Fails to complete the work(s) or items of work with individual dates of completion, on or before the date(s) so determined, and does not complete them within the period specified in the notice given in writing in that behalf by the Engineer-in-Charge.
- (iii) The Engineer-in-Charge without invoking action under clause 3 may, without prejudice to any other right or remedy against the contractor which have either accrued or accrue thereafter to WAPCOS, by a notice in writing to take the part work / part incomplete work of any item(s) out of his hands and shall have powers to:
  - (a) Take possession of the site and any materials, constructional plant, implements, stores, etc., thereon; and/or
  - (b) Carry out the part work / part incomplete work of any item(s) by any means at the risk and cost of the contractor.

The Engineer-in-Charge shall determine the amount, if any, is recoverable from the contractor for completion of the part work/ part incomplete work of any item(s) taken out of his hands and execute at the risk and cost of the contractor, the liability of contractor on account of loss or damage suffered by WAPCOS because of action under this clause shall not exceed 10% of the tendered value of the work.

In determining the amount, credit shall be given to the contractor with the value of work done in all respect in the same manner and at the same rate as if it had been carried out by the original contractor under the terms of his contract, the value of contractor's materials taken over and incorporated in the work and use of plant and machinery belonging to the contractor. The certificate of the Engineer-in-Charge as to the value of work done shall be final and conclusive against the contractor provided always that action under this clause shall only be

taken after giving notice in writing to the contractor. Provided also that if the expenses incurred by the WAPCOS are less than the amount payable to the contractor at his agreement rates, the difference shall not be payable to the contractor.

Any excess expenditure incurred or to be incurred by WAPCOS in completing the part work/part incomplete work of any item(s) or the excess loss of damages suffered or may be suffered by WAPCOS as aforesaid after allowing such credit shall without prejudice to any other right or remedy available to WAPCOS in law or per as agreement be recovered from any money due to the contractor on any account, and if such money is insufficient, the contractor shall be called upon in writing and shall be liable to pay the same within 30 days.

If the contractor fails to pay the required sum within the aforesaid period of 30 days, the Engineer-in-Charge shall have the right to sell any or all of the contractors' unused materials, constructional plant, implements, temporary building at site etc. and adjust the proceeds of sale thereof towards the dues recoverable from the contractor under the contract and if thereafter there remains any balance outstanding, it shall be recovered in accordance with the provisions of the contract.

In the event of above course being adopted by the Engineer-in-Charge, the contractor shall have no claim to compensation for any loss sustained by him by reason of his having purchased or procured any materials or entered into any engagements or made any advance on any account or with a view to the execution of the work or the performance of the contract.

#### **CLAUSE 15: SUSPENSION OF WORK**

- (i) The contractor shall, on receipt of the order in writing of the Engineer-in-Charge, (whose decision shall be final and binding on the contractor) suspend the progress of the works or any part thereof for such time and in such manner as the Engineer-in-Charge may consider necessary so as not to cause any damage or injury to the work already done or endanger the safety thereof for any of the following reasons:
  - (a) on account of any default on the part of the contractor or;
  - (b) for proper execution of the works or part thereof for reasons other than the default of the contractor; or
  - (c) For safety of the works or part thereof. The contractor shall, during such suspension, properly protect and secure the works to the extent necessary and carry out the instructions given in that behalf by the Engineer-in-Charge.
- (ii) If the suspension is ordered for reasons (b) and (c) in sub-para (i) above:
  - (a) the contractor shall be entitled to an extension of time equal to the period of every such suspension PLUS 25%, for completion of the item or group of items of work for which a separate period of completion is specified in the contract and of which the suspended work forms a part, and;
  - (b) If the total period of all such suspensions in respect of an item or group of items or work for which a separate period of completion is specified in the contract exceeds thirty days, the contractor shall, in addition, be entitled to such compensation as the Engineer-in-Charge may consider reasonable in respect of salaries and/or wages paid by the contractor to his employees and labour at site, remaining idle during the period of suspension, adding thereto 2% to cover indirect expenses of the contractor provided the contractor submits his claim supported by details to the Engineer-in-Charge within fifteen days of the expiry of the period of 30 days.

- (iii) If the works or part thereof is suspended on the orders of the Engineer-in-Charge for more than three months at a time, except when suspension is ordered for reason (a) in sub para
- (i) above, the contractor may after receipt of such order serve a written notice on the Engineer-in-Charge requiring permission within fifteen days from receipt by the Engineer- in-Charge of the said notice, to proceed with the work or part thereof in regard to which progress has been suspended and if such permission is not granted within that time, the contractor, if he intends to treat the suspension, where it affects only a part of the works as an omission of such part by WAPCOS or where it affects whole of the works, as an abandonment of the works by WAPCOS, shall within ten days of expiry of such period of 15 days give notice in writing of his intention to the Engineer-in-Charge. In the event of the contractor treating the suspension as an abandonment of the contract by WAPCOS, he shall have no claim to payment of any compensation on account of any profit or advantage which he might have derived from the execution of the work in full but which he could not derive in consequence of the abandonment. He shall, however, be entitled to such compensation, as the Engineer-in-Charge may consider reasonable, in respect of salaries and/or wages paid by him to his employees and labour at site, remaining idle in consequence adding to the total thereof 2% to cover indirect expenses of the contractor provided the contractor submits his claim supported by details to the Engineer-in-Charge within 30 days of the expiry of the period of 3 months.

#### **CLAUSE 16: ACTION IN CASE WORK NOT DONE AS PER SPECIFICATIONS**

All works under or in course of execution or executed in pursuance of the contract, shall at all times be open and accessible to the inspection and supervision of the Engineer-In-charge, his authorized subordinates in charge of the work and all the superior officers, officer of the Quality Assurance Unit of the WAPCOS or any organization engaged by the WAPCOS for Quality Assurance and of the Chief Technical Examiner's Office, and the contractor shall, at all times, during the usual working hours and at all other times at which reasonable notice of the visit of such officers has been given to the contractor, either himself be present to receive orders and instructions or have a responsible agent duly accredited in writing, present for that purpose. Orders given to the Contractor's agent shall be considered to have the same force as if they had been given to the contractor himself.

If it shall appear to the Engineer-in-charge or his authorized subordinates in-charge of the work or to the Chief Engineer in charge of Quality Assurance or his subordinate officers or the officers of the organization engaged by the WAPCOS for Quality Assurance or to the Chief Technical Examiner or his subordinate officers, that any work has been executed with unsound, imperfect, or unskillful workmanship, or with materials or articles provided by him for the execution of the work which are unsound or of a quality inferior to that contracted or otherwise not in accordance with the contract, the contractor shall, on demand in writing which shall be made within twelve months (six months in the case of work costing Rs. 10 Lac and below except road work) of the completion of the work from the Engineer-in-Charge specifying the work, materials or articles complained of notwithstanding that the same may have been passed, certified and paid for forthwith rectify, or remove and reconstruct the work so specified in whole or in part, as the case may require or as the case may be, remove the materials or articles so specified and provide other proper and suitable materials or articles at his own charge and cost. In the event of the failing to do so within a period specified by the Engineer-



in- Charge in his demand aforesaid, then the contractor shall be liable to pay compensation at the same rate as under clause 2 of the contract (for non-completion of the work in time) for this default.

In such case the Engineer-in-Charge may not accept the item of work at the rates applicable under the contract but may accept such items at reduced rates as the authority specified in Special Conditions of Contract may consider reasonable during the preparation of on account bills or final bill if the item is so acceptable without detriment to the safety and utility of the item and the structure or he may reject the work outright without any payment and/or get it and other connected and incidental items rectified, or removed and re-executed at the risk and cost of the contractor. Decision of the Engineer-in-Charge to be conveyed in writing in respect of the same will be final and binding on the contractor.

**CLAUSE 17: CONTRACTOR LIABLE FOR DAMAGES, DEFECTS DURING DEFECT LIABILITY PERIOD**

If the contractor or his working people or servants shall break, deface, injure or destroy any part of building in which they may be working, or any building, road, road kerb, fence, enclosure, water pipe, cables, drains, electric or telephone post or wires, trees, grass or grassland, or cultivated ground contiguous to the premises on which the work or any part is being executed, or if any damage shall happen to the work while in progress, from any cause whatever or if any defect, shrinkage or other faults appear in the work within twelve months (six months in the case of work costing Rs. Ten lacs and below except road work) after a certificate final or otherwise of its completion shall have been given by the Engineer-in-Charge as aforesaid arising out of defect or improper materials or workmanship the contractor shall upon receipt of a notice in writing on that behalf make the same good at his own expense or in default the Engineer-in-Charge cause the same to be made good by other workmen and deduct the expense from any sums that may be due or at any time thereafter may become due to the contractor, or from his security deposit or the proceeds of sale thereof or of a sufficient portion thereof. The security deposit of the contractor shall not be refunded before the expiry of twelve months (six months in the case of work costing Rs. Ten lacs and below except road work) after the issue of the certificate final or otherwise, of completion of work, or till the final bill has been prepared and passed whichever is later.

Provided that in the case of road work, if in the opinion of the Engineer-in-Charge, half of the security deposit is sufficient, to meet all liabilities of the contractor under this contract, half of the security deposit will be refundable after six months and the remaining half after twelve months of the issue of the said certificate of completion or till the final bill has been prepared and passed whichever is later.

The defects liability period will be one year from the date of completion of development and construction works. During this period the Contractor will get the defects rectified without any cost to WAPCOS. For the item of water proofing roof treatment the Contractor will give guarantee bond for ten years. Similarly for other items, like electrical/mechanical equipment which have guarantee/warranty period beyond one year, wherever applicable as per manufacturer recommendations, will also be given guarantee bond by the Contractor to WAPCOS.

**CLAUSE 18: CONTRACTOR SUPPLY TOOLS & PLANTS ETC.**

The contractor shall provide at his own cost all materials (except such special materials, if any, as may in accordance with the contract be supplied from the Engineer-in-Charge's stores),

machinery, tools & plants as specified in Special Conditions of Contract. In addition to this, appliances, implements, other plants, ladders, cordage, tackle, scaffolding and temporary works required for the proper execution of the work, whether original, altered or substituted and whether included in the specifications or other documents forming part of the contract or referred to in these conditions or not, or which may be necessary for the purpose of satisfying or complying with the requirements of the Engineer-in-Charge as to any matter as to which under these conditions he is entitled to be satisfied, or which he is entitled to require together with carriage therefore to and from the work. The contractor shall also supply without charge the requisite number of persons with the means and materials, necessary for the purpose of setting out works, and counting, weighing and assisting the measurement for examination at any time and from time to time of the work or materials. Failing his so doing, the same may be provided by the Engineer-in-Charge at the expense of the contractor and the expenses may be deducted, from any money due to the contractor, under this contract or otherwise and/or from his security deposit or the proceeds of sale thereof, or of a sufficient portions thereof.

**CLAUSE 18A: RECOVERY OF COMPENSATION PAID TO WORKMEN**

In every case in which by virtue of the provisions sub-section (1) of Section 12, of the Workmen's Compensation Act, 1923, WAPCOS is obliged to pay compensation to a workman employed by the contractor, in execution of the works, WAPCOS will recover from the contractor, the amount of the compensation so paid; and, without prejudice to the rights of the WAPCOS under sub-section (2) of Section 12, of the said Act, WAPCOS shall be at liberty to recover such amount or any part thereof by deducting it from the security deposit or from any sum due by WAPCOS to the contractor whether under this contract or otherwise. WAPCOS shall not be bound to contest any claim made against it under sub-section (1) of Section 12, of the said Act, except on the written request of the contractor and upon his giving to WAPCOS full security for all costs for which WAPCOS might become liable in consequence of contesting such claim.

**CLAUSE 18B: ENSURING PAYMENT AND AMENITIES TO WORKERS, IF CONTRACTOR FAILS**

In every case in which by virtue of the provisions of the Contract Labour (Regulation and Abolition) Act, 1970, and of the Contract Labour (Regulation and Abolition) Central Rules, 1971, WAPCOS is obliged to pay any amounts of wages to a workman employed by the contractor in execution of the works, or to incur any expenditure in providing welfare and health amenities required to be provided under the above said Act and the rules under Clause 19H or under the C.P.W.D. Contractor's Labour Regulations, or under the Rules framed by Government from time to time for the protection of health and sanitary arrangements for workers employed by C.P.W.D. Contractors, WAPCOS will recover from the contractor, the amount of wages so paid or the amount of expenditure so incurred; and without prejudice to the rights of the WAPCOS under sub-section(2) of Section 20, and sub-section (4) of Section 21, of the Contract Labour (Regulation and Abolition) Act, 1970, WAPCOS shall be at liberty to recover such amount or any part thereof by deducting it from the security deposit or from any sum due by WAPCOS to the contractor whether under this contract or otherwise WAPCOS shall not be bound to contest any claim made against it under sub- section (1) of Section 20, sub-section (4) of Section 21, of the said Act, except on the written request of the contractor and upon his giving to the WAPCOS full security for all costs for which WAPCOS might become liable in contesting such claim.

**CLAUSE 19: LABOUR LAWS TO BE COMPLIED BY CONTRACTOR**

The contractor shall comply with the provisions of the Contract Labour (R&A) Act, 1970, and the Contract Labour (Regulation and Abolition) Central Rules, 1971.

The contractor shall also obtain a valid licence under the said Act before the commencement of the work, and continue to have a valid licence until its completion.

The contractor shall also abide by the provisions of the Child Labour (Prohibition and Regulation) Act, 1986.

The contractor shall also comply with provisions of the Inter-State Migrant Workmen (Regulation of Employment and Conditions of Service) Act, 1979.

The contractor shall also comply with the provisions of the building and other Construction Workers (Regulation of Employment & Conditions of Service) Act, 1996 and the building and other Construction Workers Welfare Cess Act, 1996.

Any failure to fulfill these requirements shall attract the penal provisions of this contract arising out of the resultant non-execution of the work

**CLAUSE 19A**

No labour below the age of fourteen years shall be employed on the work.

**CLAUSE 19B: PAYMENT OF WAGES**

- i. The contractor shall pay to labour employed by him either directly or through subcontractors, wages not less than fair wages as defined in the C.P.W.D. Contractor's Labour Regulations or as per the provisions of the Contract Labour (Regulation and Abolition) Act, 1970 and the contract Labour (Regulation and Abolition) Central Rules, 1971, wherever applicable.
- ii. The contractor shall, notwithstanding the provisions of any contract to the contrary, cause to be paid fair wage to labour indirectly engaged on the work, including any labour engaged by his sub-contractors in connection with the said work, as if the labour had been immediately employed by him.
- iii. In respect of all labour directly or indirectly employed in the works for performance of the contractor's part of this contract, the contractor shall comply with or cause to be complied with the Contractor's Labour Regulations made by WAPCOS from time to time in regard to payment of wages, wage period, deductions from wages recovery of wages not paid and deductions unauthorized made, maintenance of wage books or wage slips, publication of scale of wages and other terms of employment, inspection and submission of periodical returns and all other matters of the like nature or as per the provisions of the Contract Labour (Regulation and Abolition) Act, 1970, and the Contract Labour (Regulation and Abolition) Central Rules, 1971, wherever applicable.
- iv. (a) The Engineer-in-Charge concerned shall have the right to deduct from the moneys due to the contractor any sum required or estimated to be required for making good the loss suffered by a worker or workers by reason of non-fulfilment of the conditions of the contract for the benefit of the workers, non-payment of wages or of deductions made from his or their wages which are not justified by their terms of the contract or non-observance of the Regulations.  
(b) Under the provision of Minimum Wages (Central) Rules, 1950, the contractor is bound to allow to the labours directly or indirectly employed in the works one day rest for 6 days continuous work and pay wages at the same rate as for duty. In the event of default, the Engineer-in-Charge shall have the right to deduct the sum or sums not paid on account of wages for weekly holidays to any labours and pay the same to the persons entitled

thereto from any money due to the contractor by the Engineer-in-Charge concerned.

In the case of Union Territory of Delhi, however, as the all-inclusive minimum daily wages fixed under Notification of the Delhi Administration No.F.12(162)MWO/DAB/ 43884-91, dated 31-12-1979 as amended from time to time are inclusive of wages for the weekly day of rest, the question of extra payment for weekly holiday would not arise.

- v. The contractor shall comply with the provisions of the Payment of Wages Act, 1936, Minimum Wages Act, 1948, Employees Liability Act, 1938, Workmen's Compensation Act, 1923, Industrial Disputes Act, 1947, Maternity Benefits Act, 1961, and the Contractor's Labour (Regulation and Abolition) Act 1970, or the modifications thereof or any other laws relating thereto and the rules made thereunder from time to time.
- vi. The contractor shall indemnify and keep indemnified WAPCOS against payments to be made under and for the observance of the laws aforesaid and the C.P.W.D. Contractor's Labour Regulations without prejudice to his right to claim indemnity from his sub-contractors.
- vii. The laws aforesaid shall be deemed to be a part of this contract and any breach thereof shall be deemed to be a breach of this contract.
- viii. Whatever is the minimum wage for the time being, or if the wage payable is higher than such wage, such wage shall be paid by the contractor to the workmen directly without the intervention of Jamadar and that Jamadar shall not be entitled to deduct or recover any amount from the minimum wage payable to the workmen as and by way of commission or otherwise.
- ix. The contractor shall ensure that no amount by way of commission or otherwise is deducted or recovered by the Jamadar from the wage of workmen.

#### **CLAUSE 19C**

In respect of all labour directly or indirectly employed in the work for the performance of the contractor's part of this contract, the contractor shall at his own expense arrange for the safety provisions as per C.P.W.D. Safety Code framed from time to time and shall at his own expense provide for all facilities in connection therewith. In case the contractor fails to make arrangement and provide necessary facilities as aforesaid, he shall be liable to pay a penalty of Rs.200/- for each default and in addition, the Engineer-in- Charge shall be at liberty to make arrangement and provide facilities as aforesaid and recover the costs incurred in that behalf from the contractor.

#### **CLAUSE 19 D**

The contractor shall submit by the 4th and 19th of every month, to the Engineer-in-Charge, a true statement showing in respect of the second half of the preceding month and the first half of the current month respectively:-

- (1) The number of labourers employed by him on the work,
- (2) Their working yours,
- (3) The wages paid to them,
- (4) The accidents that occurred during the said fortnight showing the circumstances under which they happened and the extent of damage and injury caused by them, and
- (5) The number of female workers who have been allowed maternity benefit according to Clause 19F and the amount paid to them.

Failing which the contractor shall be liable to pay to WAPCOS, a sum not exceeding Rs.200/- for each default or materially incorrect statement. The decision of the Engineer-In-Charge shall

be final in deducting from any bill due to the contractor; the amount levied as fine and be binding on the contractor.

#### **CLAUSE 19 E**

In respect of all labour directly or indirectly employed in the works for the performance of the contractor's part of this contract, the contractor shall comply with or cause to be complied with all the rules framed by Government from time to time for the protection of health and sanitary arrangements for workers employed by the WAPCOS and its contractors.

#### **CLAUSE 19 F**

Leave and pay during leave shall be regulated as follows:-

##### **1. Leave :**

- (i) in the case of delivery - maternity leave not exceeding 8 weeks, 4 weeks up to and including the day of delivery and 4 weeks following that day,
- (ii) in the case of miscarriage - upto 3 weeks from the date of miscarriage.

##### **2. Pay :**

- (i) in the case of delivery - leave pay during maternity leave will be at the rate of the women's average daily earnings, calculated on total wages earned on the days when full time work was done during a period of three months immediately preceding the date on which she gives notice that she expects to be confined or at the rate of Rupee one only a day whichever is greater.
- (ii) in the case of miscarriage - leave pay at the rate of average daily earning calculated on the total wages earned on the days when full time work was done during a period of three months immediately preceding the date of such miscarriage.

##### **3. Conditions for the grant of Maternity Leave:**

No maternity leave benefit shall be admissible to a woman unless she has been employed for a total period of not less than six months immediately preceding the date on which she proceeds on leave.

##### **4. The contractor shall maintain a register of Maternity (Benefit) in the Prescribed Form as shown in appendix -I and II, and the same shall be kept at the place of work.**

#### **CLAUSE 19 G**

In the event of the contractor(s) committing a default or breach of any of the provisions of the WAPCOS, Contractor's Labour Regulations and Model Rules for the protection of health and sanitary arrangements for the workers as amended from time to time or furnishing any information or submitting or filing any statement under the provisions of the above Regulations and Rules which is materially incorrect, he/they shall, without prejudice to any other liability, pay to the Government a sum not exceeding Rs.200/- for every default, breach or furnishing, making, submitting, filing such materially incorrect statements and in the event of the contractor(s) defaulting continuously in this respect, the penalty may be enhanced to Rs.200/- per day for each day of default subject to a maximum of 5 per cent of the estimated cost of the work put to tender. The decision of the Engineer-in-Charge shall be final and binding on the parties.

Should it appear to the Engineer-in-Charge that the contractor(s) is/are not properly observing and complying with the provisions of the C.P.W.D. Contractor's Labour Regulations and Model Rules and the provisions of the Contract Labour (Regulation and Abolition) Act 1970, and the Contract Labour (R& A) Central Rules 1971, for the protection of health and sanitary

arrangements for work- people employed by the contractor(s) (hereinafter referred as “the said Rules”) the Engineer -in- Charge shall have power to give notice in writing to the contractor(s) requiring that the said Rules be complied with and the amenities prescribed therein be provided to the work-people within a reasonable time to be specified in the notice. If the contractor(s) shall fail within the period specified in the notice to comply with and/observe the said Rules and to provide the amenities to the work- people as aforesaid, the Engineer-in-Charge shall have the power to provide the amenities hereinbefore mentioned at the cost of the contractor(s). The contractor(s) shall erect, make and maintain at his/their own expense and to approved standards all necessary huts and sanitary arrangements required for his/their work-people on the site in connection with the execution of the works, and if the same shall not have been erected or constructed, according to approved standards, the Engineer-in-Charge shall have power to give notice in writing to the contractor(s) requiring that the said huts and sanitary arrangements be remodeled and/or reconstructed according to approved standards, and if the contractor(s) shall fail to remodel or reconstruct such huts and sanitary arrangements according to approved standards within the period specified in the notice, the Engineer-in-Charge shall have the power to remodel or reconstruct such huts and sanitary arrangements according to approved standards at the cost of the contractor(s).

#### **CLAUSE 19 H**

The contractor(s) shall at his/their own cost provide his/their labour with a sufficient number of huts (hereinafter referred to as the camp) of the following specifications on a suitable plot of land to be approved by the Engineer-in-Charge.

- (i)
  - (a) The minimum height of each hut at the eaves level shall be 2.10m (7 ft.) and the floor area to be provided will be at the rate of 2.7 sq.m (30 sq.ft.) for each member of the worker’s family staying with the labourer.
  - (b) The contractor(s) shall in addition construct suitable cooking places having a minimum area of 1.80m x 1.50m (6’x5’) adjacent to the hut for each family.
  - (c) The contractor(s) shall also construct temporary latrines and urinals for the use of the labourers each on the scale of not less than four per each one hundred of the total strength, separate latrines and urinals being provided for women.
  - (d) The contractor(s) shall construct sufficient number of bathing and washing places, one unit for every 25 persons residing in the camp. These bathing and washing places shall be suitably screened.
- (ii)
  - (a) All the huts shall have walls of sun-dried or burnt-bricks laid in mud mortar or other suitable local materials as may be approved by the Engineer-in-Charge. In case of sun-dried bricks, the walls should be plastered with mud gobi on both sides. The floor may be kutcha but plastered with mud gobi and shall be at least 15 cm (6”) above the surrounding ground. The roofs shall be laid with thatch or any other materials as may be approved by the Engineer-in-Charge and the contractor shall ensure that throughout the period of their occupation, the roofs remain water-tight.
  - (b) The contractor(s) shall provide each hut with proper ventilation.
  - (c) All doors, windows, and ventilators shall be provided with suitable leaves for security purposes.
  - (d) There shall be kept an open space of at least 7.2m (8 yards) between the rows of huts which may be reduced to 6m (20 ft.) according to the availability of site with the approval of the Engineer-in-Charge. Back to back construction will be allowed
- (iii) **Water Supply** - The contractor(s) shall provide adequate supply of water for the use

of labourers. The provisions shall not be less than two gallons of pure and wholesome water per head per day for drinking purposes and three gallons of clean water per head per day for bathing and washing purposes. Where piped water supply is available, supply shall be at stand posts and where the supply is from wells or river, tanks which may be of metal or masonry, shall be provided. The contractor(s) shall also at his/ their own cost make arrangements for laying pipe lines for water supply to his/ their labour camp from the existing mains wherever available, and shall pay all fees and charges therefore.

- (iv) The site selected for the camp shall be high ground, removed from jungle.
- (v) **Disposal of Excreta** - The contractor(s) shall make necessary arrangements for the disposal of excreta from the latrines by trenching or incineration which shall be according to the requirements laid down by the Local Health Authorities. If trenching or incineration is not allowed, the contractor(s) shall make arrangements for the removal of the excreta through the Municipal Committee/authority and inform it about the number of labourers employed so that arrangements may be made by such Committee/authority for the removal of the excreta. All charges on this account shall be borne by the contractor and paid direct by him to the Municipality/authority. The contractor shall provide one sweeper for every eight seats in case of dry system.
- (vi) **Drainage** - The contractor(s) shall provide efficient arrangements for draining away sullage water so as to keep the camp neat and tidy.
- (vii) The contractor(s) shall make necessary arrangements for keeping the camp area sufficiently lighted to avoid accidents to the workers.
- (viii) **Sanitation** - The contractor(s) shall make arrangements for conservancy and sanitation in the labour camps according to the rules of the Local Public Health and Medical Authorities.

#### **CLAUSE 19 I**

The Engineer-in-Charge may require the contractor to dismiss or remove from the site of the work any person or persons in the contractors' employ upon the work who may be incompetent or misconduct himself and the contractor shall forthwith comply with such requirements. In respect of maintenance/repair or renovation works etc. where the labour have an easy access to the individual houses, the contractor shall issue identity cards to the labourers, whether temporary or permanent and he shall be responsible for any untoward action on the part of such labour. AE/JE will display a list of contractors working in the colony/Blocks on the notice board in the colony and also at the service centre, to apprise the residents about the same.

#### **CLAUSE 19J**

It shall be the responsibility of the contractor to see that the building under construction is not occupied by anybody unauthorized during construction, and is handed over to the Engineer-in-Charge with vacant possession of complete building. If such building though completed is occupied illegally, then the Engineer-in-Charge shall have the option to refuse to accept the said building/buildings in that position. Any delay in acceptance on this account will be treated as the delay in completion and for such delay, a levy up to 5% of tendered value of work may be imposed by the WAPCOS whose decision shall be final both with regard to the justification and quantum and be binding on the contractor.

However, WAPCOS, through a notice, may require the contractor to remove the illegal occupation any time on or before construction and delivery.

**CLAUSE 19K: Employment of Skilled / Semi Skilled Workers**

The contractor shall, at all stages of work, deploy skilled/semi-skilled tradesmen who are qualified and possess certificate in particular trade from Industrial Training Institute/National Institute of construction Management and Research (NICMAR)/ National Academy of Construction, CIDC or any similar reputed and recognized Institute managed/ certified by State/Central Government. The number of such qualified tradesmen shall not be less than 20% of total skilled/semi-skilled workers required in each trade at any stage of work. The contractor shall submit number of man days required in respect of each trade, it's scheduling and the list of qualified tradesmen along with requisite certificate from recognized Institute to Engineer in charge for approval. Notwithstanding such approval, if the tradesmen are found to have inadequate skill to execute the work of respective trade, the contractor shall substitute such tradesmen within two days of written notice from Engineer-in-Charge. Failure on the part of contractor to obtain approval of Engineer-in-Charge or failure to deploy qualified tradesmen will attract a compensation to be paid by contractor at the rate of Rs. 100 per such tradesman per day. Decision of Engineer in Charge as to whether particular tradesman possesses requisite skill and amount of compensation in case of default shall be final and binding.

Provided always, that the provisions of this clause, shall not be applicable for works with estimated cost put to tender being less than Rs. 5 crores. For work costing more than Rs 10 Crores, and upto Rs. 50 Crores, the contractor shall arrange on site training as per National Skill Development Corporation (NSDC) norms for at least 20% of the unskilled workers engaged in the project in co- ordination with the CPWD Regional Training Institute & National Skill Development Corporation (NSDC) for certification at the level of skilled/semi-skilled tradesmen.

For work costing more than Rs 50Crores, the contractor shall arrange on site training as per National Skill Development Corporation (NSDC) norms for at least 30% of the unskilled worker engaged in the project in co- ordination with the CPWD Regional Training Institute & National Skill Development Corporation (NSDC) for certification at the level of skilled/semi- skilled tradesmen. The cost of such training as stated above shall be borne by the Government. The necessary space and workers shall be provided by the contractor and no claim what so ever shall be entertained.

**Clause 19L: Contribution of EPF and ESI- NOT APPLICABLE**

The ESI and EPF contributions on the part of employer in respect of this contract shall be paid by the contractor. These contributions on the part of the employer paid by the contractor shall be reimbursed by the Engineer-in-charge to the contractor on actual basis. The verification of deployment of labour will be done through biometric attendance system or any other suitable method by the Engineer in Charge. The applicable and eligible amount of EPF & ESI shall be reimbursed preferably within 7 days but not later than 30 days of submission of documentary proof of payment provided same are in order.

**CLAUSE 20: MINIMUM WAGES ACT TO BE COMPLIED WITH**

The contractor shall comply with all the provisions of the Minimum Wages Act, 1948, and Contract Labour (Regulation and Abolition) Act, 1970, amended from time to time and rules framed thereunder and other labour laws affecting contract labour that may be brought into force from time to time.

**CLAUSE 21: WORK NOT TO BE SUBLET. ACTION IN CASE OF INSOLVENCY**

The contract shall not be assigned or sublet without the written approval of the Engineer-in



Charge. And if the contractor shall assign or sublet his contract, or attempt to do so, or become insolvent or commence any insolvency proceedings or make any composition with his creditors or attempt to do so, or if any bribe, gratuity, gift, loan, perquisite, reward or advantage pecuniary or otherwise, shall either directly or indirectly, be given, promised or offered by the contractor, or any of his servants or agent to any public officer or person in the employ of WAPCOS in any way relating to his office or employment, or if any such officer or person shall become in any way directly or indirectly interested in the contract, the Engineer-in-Charge on behalf of the WAPCOS shall have power to adopt the course specified in Clause 3 hereof in the interest of WAPCOS and in the event of such course being adopted, the consequences specified in the said Clause 3 shall ensue.

## **CLAUSE 22**

All sums payable by way of compensation under any of these conditions shall be considered as reasonable compensation to be applied to the use of WAPCOS without reference to the actual loss or damage sustained and whether or not any damage shall have been sustained.

## **CLAUSE 23: CHANGES IN FIRM'S CONSTITUTION TO BE INTIMATED**

Where the contractor is a partnership firm, the previous approval in writing of the Engineer-in-Charge shall be obtained before any change is made in the constitution of the firm. Where the contractor is a Proprietor Firm, such approval as aforesaid shall likewise be obtained before the contractor enters into any partnership agreement where under the partnership firm would have the right to carry out the works hereby undertaken by the contractor. If previous approval as aforesaid is not obtained, the contract shall be deemed to have been assigned in contravention of Clause 21 hereof and the same action may be taken, and the same consequences shall ensue as provided in the said Clause 21.

## **CLAUSE 24: LIFE CYCLE COST**

The contractor shall be responsible for safety, quality and soundness of the buildings including structural elements beyond maintenance period. The contractor shall have obligation to rectify such defects minimum up to 5 (five) years from the date of completion of work. The defects have to be rectified within a reasonable time not exceeding forty five days after issue of notice by Engineer-in-Charge. If contractor does not take corrective action within 45 days, then action for debarment of the contractor shall be taken by the appropriate authority.

All works to be executed under the contract shall be executed under the direction and subject to the approval in all respects of the Engineer-in-Charge who shall be entitled to direct at what point or points and in what manner they are to be commenced, and from time to time carried on.

## **CLAUSE 25: SETTLEMENT OF DISPUTES & ARBITRATION**

### **Resolution and Mediation**

Save where expressly stated to the contrary in the Contract, any dispute, difference or controversy of whatever nature between the Parties, howsoever arising under, out of or in relation to the Contract including disputes, if any, with regard to any acts, decision or opinion of WAPCOS Limited Representative and so notified in writing by either Party to the other (the "Dispute") shall in the first instance be attempted to be resolved amicably in accordance with the procedure set out in Clause 25.1 [Amicable Resolution and Mediation] below.

### **Clause 25.1: [Amicable Resolution and Mediation]**

Either Party may require such Dispute to be referred to a person nominated by each Party, for

amicable settlement. Upon such reference, the two shall meet at the earliest mutual convenience and in any event within [15 (fifteen)] days of such reference to discuss and attempt to amicably resolve the Dispute.

In the event that the Dispute in question is not resolved amicably within 15 (fifteen) days of such meeting between the Parties in accordance with Clause 25.1 [Amicable Resolution and Mediation] either Party may refer the Dispute to arbitration in accordance with Clause 25.2 [Arbitration Procedure].

#### **Clause 25.2: Arbitration Procedure**

Save where expressly stated to the contrary in the Contract, any Dispute shall be finally settled by binding arbitration under the Arbitration and Conciliation Act 1996 by sole arbitrators appointed by CMD, WAPCOS.

#### **Place of Arbitration**

The place of arbitration shall be New Delhi.

#### **English Language**

The request for arbitration, the answer to the request, the terms of reference, any written submissions, any orders and awards shall be in English and, if oral hearings take place, English shall be the language to be used in the hearings.

#### **Enforcement of Award**

The Parties agree that the decision or award resulting from arbitration shall be final and binding upon the Parties and shall be enforceable in accordance with the provisions of the Arbitration and Conciliation Act.

#### **Performance during Arbitration**

Pending the submission of and/or decision on a Dispute and until the arbitral award is published, the Parties shall continue to perform their respective obligations under the Contract without prejudice to a final adjustment in accordance with such award

#### **CLAUSE 26: CONTRACTOR INDEMNIFY WAPCOS AGAINST PATENT RIGHTS**

The contractor shall fully indemnify and keep indemnified the WAPCOS against any action, claim or proceeding relating to infringement or use of any patent or design or any alleged patent or design rights and shall pay any royalties which may be payable in respect of any article or part thereof included in the contract. In the event of any claims made under or action brought against WAPCOS in respect of any such matters as aforesaid, the contractor shall be immediately notified thereof and the contractor shall be at liberty, at his own expense, to settle any dispute or to conduct any litigation that may arise therefrom, provided that the contractor shall not be liable to indemnify the WAPCOS if the infringement of the patent or design or any alleged patent or design right is the direct result of an order passed by the Engineer-in-Charge in this behalf.

#### **CLAUSE 27: LUMP SUM PROVISIONS IN TENDER-----NOT APPLICABLE**

When the estimate on which a tender is made includes lump sum in respect of parts of the work, the contractor shall be entitled to payment in respect of the items of work involved or the part of the work in question at the same rates as are payable under this contract for such items, or if the part of the work in question is not, in the opinion of the Engineer-in-Charge payable of measurement, the Engineer-in-Charge may at his discretion pay the lump-sum

amount entered in the estimate, and the certificate in writing of the Engineer-in-Charge shall be final and conclusive against the contractor with regard to any sum or sums payable to him under the provisions of the clause.

**CLAUSE 28: ACTION WHERE NO SPECIFICATIONS ARE SPECIFIED**

In the case of any class of work for which there is no such specifications as referred to in Clause 11, such work shall be carried out in accordance with the Bureau of Indian Standards Specifications. In case there are no such specifications in Bureau of Indian Standards, the work shall be carried out as per manufacturers' specifications, if not available then as per District Specifications. In case there are no such specifications as required above, the work shall be carried out in all respects in accordance with the instructions and requirements of the Engineer-in-Charge.

**CLAUSE 29: WITHHOLDING AND LIEN IN RESPECT OF SUM DUE FROM CONTRACTOR**

- a) Whenever any claim or claims for payment of a sum of money arises out of or under the contract or against the contractor, the Engineer-in-Charge or the WAPCOS shall be entitled to withhold and also have a lien to retain such sum or sums in whole or in part from the security, if any deposited by the contractor and for the purpose aforesaid, the Engineer-in-Charge or the WAPCOS shall be entitled to withhold the security deposit, if any, furnished as the case may be and also have a lien over the same pending finalization or adjudication of any such claim. In the event of the security being insufficient to cover the claimed amount or amounts or if no security has been taken from the contractor, the Engineer-in-Charge or the WAPCOS shall be entitled to withhold and have a lien to retain to the extent of such claimed amount or amounts referred to above, from any sum or sums found payable or which may at any time thereafter become payable to the contractor under the same contract or any other contract with the Engineer-in-Charge of the WAPCOS or any contracting person through the Engineer-in-Charge pending finalization of adjudication of any such claim. It is an agreed term of the contract that the sum of money or moneys so withheld or retained under the lien referred to above by the Engineer-in-Charge or WAPCOS will be kept withheld or retained as such by the Engineer-in-Charge or WAPCOS till the claim arising out of or under the contract is determined by the arbitrator (if the contract is governed by the arbitration clause) by the competent court, as the case may be and that the contractor will have no claim for interest or damages whatsoever on any account in respect of such withholding or retention under the lien referred to above and duly notified as such to the contractor. For the purpose of this clause, where the contractor is a partnership firm or a limited company, the Engineer-in-Charge or the WAPCOS shall be entitled to withhold and also have a lien to retain towards such claimed amount or amounts in whole or in part from any sum found payable to any partner/limited company as the case may be, whether in his individual capacity or otherwise.
- b) WAPCOS shall have the right to cause an audit and technical examination of the works and the final bills of the contractor including all supporting vouchers, abstract, etc., to be made after payment of the final bill and if as a result of such audit and technical examination any sum is found to have been overpaid in respect of any work done by the contractor under the contract or any work claimed to have been done by him under the contract and found not to have been executed, the contractor shall be liable to refund the amount of over-payment and it shall be lawful for WAPCOS to recover the

same from him in the manner prescribed in sub-clause (i) of this clause or in any other manner legally permissible; and if it is found that the contractor was paid less than what was due to him under the contract in respect of any work executed by him under it, the amount of such under payment shall be duly paid by WAPCOS to the contractor, without any interest thereon whatsoever.

- c) Provided that the WAPCOS shall not be entitled to recover any sum overpaid, nor the contractor shall be entitled to payment of any sum paid short where such payment has been agreed upon between the WAPCOS on the one hand and the contractor on the other under any term of the contract permitting payment for work after assessment by WAPCOS.

#### **CLAUSE 29A: LIEN IN RESPECT OF CLAIMS IN OTHER CONTRACTS**

Any sum of money due and payable to the contractor (including the security deposit returnable to him) under the contract may be withheld or retained by way of lien by the Engineer-in-Charge or the WAPCOS or any other contracting person or persons through Engineer-in-Charge against any claim of the Engineer-in-Charge or WAPCOS or such other person or persons in respect of payment of a sum of money arising out of or under any other contract made by the contractor with the Engineer-in-Charge or the WAPCOS or with such other person or persons. It is an agreed term of the contract that the sum of money so withheld or retained under this clause by the Engineer-in-Charge or the WAPCOS will be kept withheld or retained as such by the Engineer-in-Charge or the WAPCOS or till his claim arising out of the same contract or any other contract is either mutually settled or determined by the arbitration clause or by the competent court, as the case may be and that the contractor shall have no claim for interest or damages whatsoever on this account or on any other ground in respect of any sum of money withheld or retained under this clause and duly notified as such to the contractor.

#### **CLAUSE 29B: EMPLOYMENT OF COAL MINING OR CONTROLLED AREA LABOUR NOT PERMISSIBLE-----NOT APPLICABLE**

The contractor shall not employ coal mining or controlled area labour falling under any category whatsoever on or in connection with the work or recruit labour from area within a radius of 32 km (20 miles) of the controlled area. Subject as above the contractor shall employ imported labour only i.e., deposit imported labour or labour imported by contractors from area, from which import is permitted. Where ceiling price for imported labour has been fixed by State or Regional Labour Committees not more than that ceiling price shall be paid to the labour by the contractor. The contractor shall immediately remove any labourer who may be pointed out by the Engineer-in-Charge as being a coal mining or controlled area labourer. Failure to do so shall render the contractor liable to pay to WAPCOS a sum calculated at the rate of Rs.10/- per day per labourer. The certificate of the Engineer-in-Charge about the number of coal mining or controlled area labourer and the number of days for which they worked shall be final and binding upon all parties to this contract.

It is declared and agreed between the parties that the aforesaid stipulation in this clause is one in which the public are interested within the meaning of the exception in Section 74 of Indian Contract Act, 1872.

**Explanation:** - Controlled Area means the following areas:

Districts of Dhanbad, Hazaribagh, Jamtara - a Sub-Division under Santhal Pargana Commissionary, Districts of Bankuara, Birbhum, Burdwan, District of Bilaspur.

Any other area which may be declared a Controlled Area by or with the approval of the Central Government.

**CLAUSE 30: WATER FOR WORKS**

The contractor(s) shall make his/their own arrangements for water required for the work and nothing extra will be paid for the same. This will be subject to the following conditions.

- (i) That the water used by the contractor(s) shall be fit for construction purposes to the satisfaction of the Engineer-in-Charge.
- (ii) The Engineer-in-Charge shall make alternative arrangements for supply of water at the risk and cost of contractor(s) if the arrangements made by the contractor(s) for procurement of water are in the opinion of the Engineer-in-Charge, unsatisfactory.

**CLAUSE 30A: WATER SUPPLY, IF AVAILABLE ----- NOT APPLICABLE**

Water if available may be supplied to the contractor by the WAPCOS subject to the following conditions:-

- (i) The water charges @ 1 % shall be recovered on gross amount of the work done.
- (ii) The contractor(s) shall make his/their own arrangement of water connection and laying of pipelines from existing main of source of supply.
- (iii) The WAPCOS do not guarantee to maintain uninterrupted supply of water and it will be incumbent on the contractor(s) to make alternative arrangements for water at his/their own cost in the event of any temporary break down in the water main so that the progress of his/their work is not held up for want of water. No claim of damage or refund of water charges will be entertained on account of such break down.

**CLAUSE 30B: ALTERNATE WATER ARRANGEMENTS-----NOT APPLICABLE**

- (i) Where there is no piped water supply arrangement and the water is taken by the contractor from the wells or hand pump constructed by the Government, no charge shall be recovered from the contractor on that account. The contractor shall, however, draw water at such hours of the day that it does not interfere with the normal use for which the hand pumps and wells are intended. He will also be responsible for all damage and abnormal repairs arising out of his use, the cost of which shall be recoverable from him. The Engineer-in-Charge shall be the final authority to determine the cost recoverable from the contractor on this account and his decision shall be binding on the contractor.
- (ii) The contractor shall be allowed to construct temporary wells in the proposed land for Construction for taking water for construction purposes only after he has got permission of the Engineer-in-Charge in writing. No charges shall be recovered from the contractor on this account, but the contractor shall be required to provide necessary safety arrangements to avoid any accidents or damage to adjacent buildings, roads and service lines. He shall be responsible for any accidents or damage caused due to construction and subsequent maintenance of the wells and shall restore the ground to its original condition after the wells are dismantled on completion of the work.

**CLAUSE 31: HIRE OF PLANT & MACHINERY**

The contractor shall arrange at his own expense all tools, plant, machinery and equipment (hereinafter referred to as T&P) required for execution of the work.

**CLAUSE 32: EMPLOYMENT OF TECHNICAL STAFF AND EMPLOYEES**

### Contractors Superintendence, Supervision, Technical Staff & Employees

The contractor shall provide all necessary superintendence during execution of the work and all along thereafter as may be necessary for proper fulfilling of the obligations under the contract.

The contractor shall immediately after receiving letter of acceptance of the tender and before commencement of the work, intimate in writing to the Engineer-in-Charge, the name(s), qualifications, experience, age, address(s) and other particulars along with certificates, of the principal technical representative to be in charge of the work and other technical representative(s) who will be supervising the work. Even if the contractor (or partner(s) in case of firm/ company) is himself / herself an Engineer, it is necessary on the part of the contractor to employ principal technical representative / technical representative (s).

The Engineer-in-Charge shall within 3 days of receipt of such communication intimate in writing his approval or otherwise of such a representative(s) to the contractor. Any such approval may at any time be withdrawn and in case of such withdrawal, the contractor shall appoint another such representative(s) according to the provisions of this clause. Decision of the tender accepting authority shall be final and binding on the contractor in this respect. Such a principal technical representative and other technical representative(s) shall be appointed by the contractor soon after receipt of the approval from Engineer-in-charge and shall be available at site before start of work.

All the provisions applicable to the principal technical representative under the Clause will also be applicable to other technical representative(s) The principal technical representative and other technical representative(s) shall be present at the site of work for supervision at all times when any construction activity is in progress and also present himself/themselves, as required, to the Engineer-in-Charge and/or his designated representative to take instructions. Instructions given to the principal technical representative or other technical representative(s) shall be deemed to have the same force as if these have been given to the contractor. The principal technical representative and other technical representative(s) shall be actually available at site fully during all stages of execution of work, during recording/checking/test checking of measurements of works and whenever so required by the Engineer-in-Charge and shall also note down instructions conveyed by the Engineer-in-Charge or his designated representative(s) in the site order book and shall affix his/their signature in token of noting down the instructions and in token of acceptance of measurements/checked measurements/test checked measurements. The representative(s) shall not look after any other work. Substitutes, duly approved by Engineer-in-Charge of the work in similar manner as aforesaid shall be provided in event of absence of any of the representative(s) by more than two days.

If the Engineer-in-Charge, whose decision in this respect is final and binding on the contractor, is convinced that no such technical representative(s) is/are effectively appointed or is/are effectively attending or fulfilling the provision of this clause, a recovery (non-refundable) shall be effected from the contractor and the decision of the Engineer-In-Charge as recorded in the site order book and measurement recorded checked/test checked in Measurement Books shall be final and binding on the contractor. Further if the contractor fails to appoint suitable technical Principal technical representative and/or other technical representative(s) and if such appointed persons are not effectively present or are absent by more than two days without duly approved substitute or do not discharge their responsibilities satisfactorily, the Engineer-in-Charge shall have full powers to suspend the execution of the work until such date as

suitable other technical representative(s) is/are appointed and the contractor shall be held responsible for the delay so caused to the work. The contractor shall submit a certificate of employment of the technical representative(s) (in the form of copy of Form-16 or CPF deduction issued to the Engineers employed by him) along with every on account bill/ final bill and shall produce evidence if at any time so required by the Engineer- in-Charge.

(i) The contractor shall provide and employ on the site only such technical assistants as are skilled and experienced in their respective fields and such foremen and supervisory staff as are competent to give proper supervision to the work.

(ii) The contractor shall provide and employ skilled, semiskilled and unskilled labour as is necessary for proper and timely execution of the work.

The Engineer-in-Charge shall be at liberty to object to and require the contractor to remove from the works any person who in his opinion misconducts himself, or is incompetent or negligent in the performance of his duties or whose employment is otherwise considered by the Engineer-in-Charge to be undesirable. Such person shall not be employed again at works site without the written permission of the Engineer-in- Charge and the persons so removed shall be replaced as soon as possible by competent substitutes.

(iii) For works with estimated cost more than Rs. 10 Crores and stipulated time period more than 6 months :

The contractor shall ensure that at least one deployed technical representative shall be trained in courses related to CPWD specifications, labour laws, safety rules etc. of duration not less than 5 working days either through National CPWD Academy (NCA) or National Institute of Construction Management and Research (NICMAR) or CIDC or any other similar reputed and recognized Institute managed or certified by State/Central Government. The training cost and other cost related to training shall be borne by the contractor. The contractor shall ensure that at least one technical representative is trained within six months of start of work. The time period of six months can be relaxed by the Engineer-in-Charge depending upon the frequency of training course organized by NCA.

If the contractor fails to ensure that at least one technical representative is trained in the above mentioned course till completion of work or one year from start of work, whichever is earlier, then a non-refundable recovery of Rs. 50,000/- shall be made from the bill of the contractor. Decision of Engineer-in-Charge in this regard shall be final and binding on the contractor.

### **CLAUSE 33: LEVY/TAXES PAYABLE BY CONTRACTOR**

- i. GST, Building and other Construction Workers Welfare Cess or any other tax, levy or Cess in respect of input for or output by this contract shall be payable by the contractor and Government shall not entertain any claim whatsoever in this respect except as provided under Clause 34.
- ii. The contractor shall deposit royalty and obtain necessary permit for supply of the red bajri, stone, kankar, etc. from local authorities.
- iii. If pursuant to or under any law, notification or order any royalty, cess or the like becomes payable by the Government of India and does not any time become payable by the contractor to the State Government, Local authorities in respect of any material used by the contractor in the works, then in such a case, it shall be lawful to the Government of India and it will have the right and be entitled to recover the amount paid in the circumstances as aforesaid from dues of the contractor.

**CLAUSE 34: CONDITIONS FOR REIMBURSEMENT OF LEVY/TAXES IF LEVIED  
AFTER RECEIPT OF TENDERS**

- (i) All tendered cost shall be inclusive of all taxes and levies (except GST) payable under respective statutes. However, if any further tax or levy or cess is imposed by Statute, after the last stipulated date for the receipt of tender including extensions if any and the contractor thereupon necessarily and properly pays such taxes/levies/cess, the contractor shall be reimbursed the amount so paid, provided such payments, if any, is not, in the opinion of the WAPCOS attributable to delay in execution of work within the control of the contractor.

However, effect of variation in rates of GST or Building and Other Construction Workers Welfare Cess or imposition or repeal of any other tax, levy or cess applicable on output of the works contract shall be adjusted on either side, increase or decrease.

Provided further that for Building and Other Construction Workers Welfare Cess or any tax (other than GST), levy or cess varied or imposed after the last date of receipt of tender including extension if any, any increase shall be reimbursed to the contractor only if the contractor necessarily and properly pays such increased amount of taxes/levies/cess.

Provided further that such increase including GST shall not be made in the extended period of contract for which the contractor alone is responsible for delay as determined by WAPCOS for extension of time.

- (ii) The contractor shall keep necessary books of accounts and other documents for the purpose of this condition as may be necessary and shall allow inspection of the same by a duly authorized representative of the Government and/or the Engineer-in-Charge and shall also furnish such other information/document as the Engineer-in-Charge may require from time to time.
- (iii) The contractor shall, within a period of 30 days of the imposition of any such further tax or levy or cess, or variation or repeal of such tax or levy or cess give a written notice thereof to the Engineer-in-charge that the same is given pursuant to this condition, together with all necessary information relating thereto.

**CLAUSE 35: TERMINATION OF CONTRACT ON DEATH OF CONTRACTOR**

Without prejudice to any of the rights or remedies under this contract, if the contractor dies, the Engineer-In-Charge on behalf of the WAPCOS shall have the option of terminating the contract without compensation to the contractor.

**CLAUSE 36: IF RELATIVE WORKING IN WAPCOS THEN THE CONTRACTOR NOT  
ALLOWED TO TENDER**

The contractor shall not be permitted to tender for works in the WAPCOS responsible for award and execution of contracts in which his near relative is posted in WAPCOS. He shall also intimate the names of persons who are working with him in any capacity or are subsequently employed by him and who are near relatives to any Officer in the WAPCOS. Any breach of this condition by the contractor would render him liable to be debarred from tendering in WAPCOS any breach of this condition.

NOTE: By the term "near relatives" is meant wife, husband, parents and grandparents, children and grandchildren, brothers and sisters, uncles, aunts and cousins and their corresponding in-laws.



**CLAUSE 37: NO GAZETTED ENGINEER TO WORK AS CONTRACTOR WITHIN ONE YEAR OF RETIREMENT**

No engineer of gazetted rank or other gazetted officer employed in engineering or administrative duties in an engineering department of the Government of India shall work as a contractor or employee of a contractor for a period of one year after his retirement from government service without the previous permission of Government of India in writing. This contract is liable to be cancelled if either the contractor or any of his employees is found at any time to be such a person who had not obtained the permission of Government of India as aforesaid, before submission of the tender or engagement in the contractor's service, as the case may be.

**CLAUSE 38: THEORETICAL CONSUMPTION OF MATERIAL----- NOT APPLICABLE**

- (i) After completion of the work and also at any intermediate stage in the event of non-reconciliation of materials issued theoretical quantity of materials issued by the WAPCOS for use in the work shall be calculated on the basis and method given hereunder:-
- (a) Quantity of cement & bitumen shall be calculated on the basis of quantity of cement & bitumen required for different items of work as shown in the Schedule of Rates mentioned in Special Conditions of Contract. In case any item is executed for which standard constants for the consumption of cement or bitumen are not available in the above mentioned schedule/statement or cannot be derived from the same shall be calculated on the basis of standard formula to be laid down by the Engineer-in-Charge.
  - (b) Theoretical quantity of steel reinforcement or structural steel sections shall be taken as the quantity required as per design or as authorized by Engineer-in-Charge, including authorized lappages, chairs etc. plus 3% wastage due to cutting into pieces, such theoretical quantity being determined and compared with the actual issues each diameter wise, section wise and category wise separately.
  - (c) Theoretical quantity of G.I. & C.I. or other pipes, conduits, wires and cables, pig lead and G.I./M.S. sheets shall be taken as quantity actually required and measured plus 5% for wastage due to cutting into pieces (except in the case of G.I./M.S. sheets it shall be 10%), such determination & comparison being made diameter wise & category wise.
  - (d) For any other material as per actual requirements. Over the theoretical quantities of materials so computed a variation shall be allowed as specified in Special Conditions of Contract. The difference in the net quantities of material actually issued to the contractor and the theoretical quantities including such authorized variation, if not returned by the contractor or if not fully reconciled to the satisfaction of the Engineer-in-Charge within fifteen days of the issue of written notice by the Engineer-in-charge.
- (ii) The said action under this clause is without prejudice to the right of the WAPCOS to take action against the contractor under any other conditions of contract for not doing the work according to the prescribed specifications.

**CLAUSE 39: COMPENSATION DURING WARLIKE SITUATION-----NOT APPLICABLE**

The work (whether fully constructed or not) and all materials, machines, tools and plants, scaffolding, temporary buildings and other things connected therewith shall be at the risk of the contractor until the work has been delivered to the Engineer-in-Charge and a certificate from him to that effect obtained. In the event of the work or any materials properly brought to the site for incorporation in the work being damaged or destroyed in consequence of hostilities or warlike operation, the contractor shall when ordered (in writing) by the Engineer-in-Charge to remove any debris from the site, collect and properly stack or remove in store all serviceable materials salvaged from the damaged work and shall be paid at the contract rates in accordance with the provision of this agreement for the work of clearing the site of debris, stacking or removal of serviceable material and for reconstruction of all works ordered by the Engineer-in-Charge, such payments being in addition to compensation upto the value of the work originally executed before being damaged or destroyed and not paid for. In case of works damaged or destroyed but not already measured and paid for, the compensation shall be assessed by the Engineer-In-Charge upto Rs. 2,00,000/- and by the WAPCOS for a higher amount. The contractor shall be paid for the damages/destruction suffered and for restoring the material at the rate based on analysis of rates tendered for in accordance with the provision of the contract. The certificate of the Engineer-in-Charge regarding the quality and quantity of materials and the purpose for which they were collected shall be final and binding on all parties to this contract.

Provided always that no compensation shall be payable for any loss in consequence of hostilities or warlike operations (a) unless the contractor had taken all such precautions against air raid as are deemed necessary by the A.R.P. Officers or the Engineer-in-Charge (b) for any material etc. not on the site of the work or for any tools, plant, machinery, scaffolding, temporary building and other things not intended for the work. In the event of the contractor having to carry out reconstruction as aforesaid, he shall be allowed such extension of time for its completion as is considered reasonable by the Engineer-In-Charge.

#### **CLAUSE 40: APPRENTICES ACT PROVISIONS TO BE COMPLIED WITH**

The contractor shall comply with the provisions of the Apprentices Act, 1961 and the rules and orders issued thereunder from time to time. If he fails to do so, his failure will be a breach of the contract and the WAPCOS may, in his discretion, cancel the contract. The contractor shall also be liable for any pecuniary liability arising on account of any violation by him of the provisions of the said Act.

#### **CLAUSE 41: RELEASE OF SECURITY DEPOSIT AFTER LABOUR CLEARANCE**

The Security Deposit of the work shall be refunded if no labour complaint has been received from the labour officer till the due date of its payment. If a labour complaint is received during this period, the Engineer-in-Charge shall, after issue of notice in this regard to the contractor, deduct the amount required to settle the complaint from his security deposit and refund the balance amount.

#### **CLAUSE 42: INSURANCE**

##### **1. Requirements**

Before commencing execution of works, unless stated otherwise in the special conditions of contract, it shall be obligatory for the contractor to obtain at his own cost stipulated insurance cover under the following requirements:

- a) Contractor's all risk and Third Party Cover.
- b) Liability under the workmen's compensation Act, 1923, Minimum Wages Act, 1948 and

Contract Labour (Regulation and Abolition) Act, 1970.

- c) Accidents to staff, Engineers, Supervisors and others who are not governed by workmen's compensation Act.
- d) Damage to material, machinery and works due to fire theft etc.
- e) Any other risk to be covered by insurance as may be specified by the employer in the special conditions of contract.

## **2. Policy in Joint Names of Contractor and Employer**

The policy referred to under sub-clause 46(1) above shall be obtained in the joint names of the contractor and the employer and shall inter-alia provide coverage against the following, arising out of or in connection with execution of works, their maintenance and performance of the contract.

- a) Loss of life or injury involving public, employee of the contractor, or that of employer and Engineer, labour etc.
- b) Injury, loss or damage to the works or property belonging to public, government bodies, local authorities, utility organizations, contractors, employer or others.

## **3. Currency of Policy**

The policies shall remain in force throughout the period of execution of the works and till the expiry of the defect liability period. The contractor shall, whenever called upon, produce to the engineer or his representative the various insurance policies obtained by him as also the rates of premia and the premia paid by him to ensure that the policies indeed continue to be in force. If the contractor fails to effect or keep in force or provide adequate cover in the insurance policies mentioned in the sub clause 46(1) or any other insurance he might be required to effect under the contract, then in such cases, the employer may effect and keep in force any such insurance or further insurance and the cost and expenses incurred by him in this regard shall be deductible from payments due to the contractor or from the contractor's performance security.

## **CLAUSE 43: CONDITIONS SPECIFIC TO GREEN BUILDINGS PRACTICES CLAUSE**

The contractor shall strictly adhere to the following conditions as part of his contractual obligations:

### **1. SITE**

- 1.1 The contractor shall ensure that adequate measures are taken for the prevention of erosion of the top soil during the construction phase. The contractor shall implement the Erosion and Sedimentation Control Plan (ESCP) provided to him by the Engineer-in-charge as part of the larger Construction Management Plan (CMP). The contractor shall obtain the Erosion and Sedimentation Control Plan (ESCP) Guidelines from the Engineer-in-charge and then prepare "working plan" for the following month's activities as a CAD drawing showing the construction management, staging & ESCP. At no time soil should be allowed to erode away from the site and sediments should be trapped where necessary.
- 1.2 The contractor shall ensure that all the top soil excavated during construction works is neatly stacked and is not mixed with other excavated earth. The contractors shall take the clearance of the architects / Engineer-in-charge before any excavation. Top soil should be stripped to a depth of 20 cm (centimeters) from the areas to be disturbed, for example proposed area for buildings, roads, paved areas, external services and area required for construction activities etc. It shall be stockpiled to a maximum height

of 40 cm in designated areas, covered or stabilized with temporary seeding for erosion prevention and shall be reapplied to site during plantation of the proposed vegetation. Top soil shall be separated from subsoil, debris and stones larger than 50 mm (millimeter) diameter. The stored top soil may be used as finished grade for planting areas.

- 1.3 The contractor shall carry out the recommendations of the soil test report for improving the soil under the guidance of the Engineer-in-charge who would also advise on the timing of application of fertilizers and warn about excessive nutrient levels.
- 1.4 The contractor shall carry out post-construction placement of topsoil or other suitable plant material over disturbed lands to provide suitable soil medium for vegetative growth. Prior to spreading the topsoil, the sub-grade shall be loosened to a depth of 50mm to permit bonding. Topsoil shall be spread uniformly at a minimum compacted depth of 50mm on grade 1:3 or steeper slopes, a minimum depth of 100mm on shallower slopes. A depth of 300mm is preferred on relatively flatter land.
- 1.5 The Contractor should follow the construction plan as proposed by the Engineer-in-charge to minimize the site disturbance such as soil pollution due to spilling. Use staging and spill prevention and control plan to restrict the spilling of the contaminating material on site. Protect top soil from erosion by collection storage and reapplication of top soil, constructing sediment basin, contour trenching, mulching etc.
- 1.6 No excavated earth shall be removed from the campus unless suggested otherwise by Engineer-in-charge. All subsoil shall be reused in backfilling/landscape, etc. as per the instructions of the Engineer-in-charge
- 1.7 The contractor shall not change the natural gradient of the ground unless specifically instructed by the architects / landscape consultant. This shall cover all natural features like water bodies, drainage gullies, slopes, mounds, depressions, rocky outcrops, etc. Existing drainage patterns through or into any preservation area shall not be modified unless specifically directed by the Engineer-in-charge.
- 1.8 The contractor shall not carry out any work which results in the blockage of natural drainage.
- 1.9 The contractor shall ensure that existing grades of soil shall be maintained around existing vegetation and lowering or raising the levels around the vegetation is not allowed unless specifically directed by the Engineer-in-charge
- 1.10 Contractor shall reduce pollution and land development impacts from automobiles use during construction.
- 1.11 Overloading of trucks is unlawful and creates and erosion and sedimentation problems, especially when loose materials like stone dust, excavated earth, sand etc. are moved. Proper covering must take place. No overloading shall be permitted.

## **2. CONSTRUCTION PHASE AND WORKER FACILITIES**

- 2.1 The contractor shall specify and limit construction activity in preplanned/ designated areas and shall start construction work after securing the approval for the same from the Engineer-in-charge. This shall include areas of construction, storage of materials, and material and personnel movement.
- 2.2 Preserve and Protect Landscape during Construction
  - a) The contractor shall ensure that no trees, existing or otherwise, shall be harmed and damage to roots should be prevented during trenching, placing backfill, driving

or parking heavy equipment, dumping of trash, oil, paint, and other materials detrimental to plant health. These activities should be restricted to the areas outside of the canopy of the tree, or, from a safe distance from the tree/plant by means of barricading. Trees will not be used for support; their trunks shall not be damaged by cutting and carving or by nailing posters, advertisements or other material. Lighting of fires or carrying out heat or gas emitting construction activity within the ground, covered by canopy of the tree is not to be permitted.

- b) The contractor shall take steps to protect trees or saplings identified for preservation within the construction site using tree guards of approved specification.
  - c) The contractor shall conserve existing natural areas and restore damaged areas to provide habitat and promote biodiversity. Contractor should limit all construction activity within the specified area as per the Construction Management Plan (CMP) proposed by the Engineer-in-charge. All the existing trees should be preserved, if not possible than compensate the loss by re-planting trees in the proportion of 1:3.
  - d) The contractor shall avoid cut and fill in the root zones, through delineating and fencing the drip line (the spread limit of a canopy projected on the ground) of all the trees or group of trees. Separate the zones of movement of heavy equipment, parking, or excessive foot traffic from the fenced plant protection zones.
  - e) The contractor shall ensure that maintenance activities shall be performed as needed to ensure that the vegetation remains healthy. The preserved vegetated area shall be inspected by the Engineer-in-charge at regular intervals so that they remain undisturbed. The date of inspection, type of maintenance or restorative action followed shall be recorded in the logbook.
- 2.3 Contractor shall be required to develop and implement a waste management plan, quantifying material diversion goals. He shall establish goals for diversion from disposal in landfills and incinerators and adopt a construction waste management plan to achieve these goals. A project-wide policy of "Nothing leaves the Site" should be followed. In such a case when strictly followed, care would automatically be taken in ordering and timing of materials such that excess doesn't become "waste". The Contractor's ingenuity is especially called towards meeting this prerequisite/ credit (GRIHA). Consider recycling cardboard, metal, brick, acoustical tile, concrete, plastic, clean wood, glass, gypsum wallboard, carpet and insulation. Designate a specific area(s) on the construction site for segregated or commingled collection of recyclable material, and track recycling efforts throughout the construction process. Identify construction haulers and recyclers to handle the designated materials. Note that diversion may include donation of materials to charitable organizations and salvage of materials on-site.
- 2.4 Contractor shall collect all construction waste generated on site. Segregate these wastes based on their utility and examine means of sending such waste to manufacturing units which use them as raw material or other site which require it for specific purpose. Typical construction debris could be broken bricks, steel bars, broken tiles, spilled concrete and mortar etc.
- 2.5 The contractor shall provide clean drinking water for all workers
- 2.6 The contractor shall provide the minimum level of sanitation and safety facilities for the

workers at site. The contractor shall ensure cleanliness of workplace with regard to the disposal of waste and effluent; provide clean drinking water and latrines and urinals as per applicable standard. Adequate toilet facilities shall be provided for the workman within easy access of their place of work. The total no. to be provided shall not be less than 1 per 30 employs in any one shift. Toilet facilities shall be provided from the start of building operations, connection to a sewer shall be made as soon as practicable. Every toilet shall be so constructed that the occupant is sheltered from view and protected from the weather and falling objects. Toilet facilities shall be maintained in a sanitary condition. A sufficient quantity of disinfectant shall be provided. Natural or artificial illumination shall be provided.

2.7 The contractor shall ensure that air pollution due to dust/generators is kept to a minimum, preventing any adverse effects on the workers and other people in and around the site. The contractor shall ensure proper screening, covering stockpiles, covering brick and loads of dusty materials, wheel-washing facility, gravel pit, and water spraying. Contractor shall ensure the following activities to prevent air pollution during construction:

- Clear vegetation only from areas where work will start right away
- Vegetate / mulch areas where vehicles do not ply.
- Apply gravel / landscaping rock to the areas where mulching / paving is impractical
- Identify roads on-site that would be used for vehicular traffic. Upgrade vehicular roads (if these are unpaved) by increasing the surface strength by improving particle size, shape and mineral types that make up the surface & base. Add surface gravel to reduce source of dust emission. Limit amount of fine particles (smaller than 0.075mm) to 10 – 20%
- Water spray, through a simple hose for small projects, to keep dust under control. Fine mists should be used to control fine particulate. However, this should be done with care so as not to waste water. Heavy watering can also create mud, which when tracked onto paved public roadways, must be promptly removed. Also, there must be an adequate supply of clean water nearby to ensure that spray nozzles don't get plugged. Water spraying can be done on:
  - a) Any dusty materials before transferring, loading and unloading
  - b) Area where demolition work is being carried out
  - c) Any un-paved main haul road
  - d) Areas where excavation or earth moving activities are to be carried out
    - The contractor shall ensure that the speed of vehicles within the site is limited to 10 km/hr.
    - All material storages should be adequately covered and contained so that they are not exposed to situations where winds on site could lead to dust / particulate emissions.
    - Spills of dirt or dusty materials will be cleaned up promptly so the spilled material does not become a source of fugitive dust and also to prevent of seepage of pollutant laden water into the ground aquifers. When cleaning up the spill, ensure that the clean-up process does not generate additional dust. Similarly, spilled

concrete slurries or liquid wastes should be contained / cleaned up immediately before they can infiltrate into the soil / ground or runoff in nearby areas

- Provide hoardings of not less than 3m high along the site boundary, next to a road or other public area
- Provide dust screens, sheeting or netting to scaffold along the perimeter of the building Cover stockpiles of dusty material with impervious sheeting
- Cover dusty load on vehicles by impervious sheeting before they leave the site

2.8 Contractor shall be required to provide an easily accessible area that serves the entire building and is dedicated to the separation, collection and storage of materials for recycling including (at a minimum) paper, corrugated cardboard, glass, plastics, and metals. He shall coordinate the size and functionality of the recycling areas with the anticipated collections services for glass, plastic, office paper, newspaper, cardboard, and organic wastes to maximize the effectiveness of the dedicated areas. Consider employing cardboard balers, aluminum can crushers, recycling chutes, and collection bins at individual workstations to further enhance the recycling program.

2.9 The contractor shall ensure that no construction leach ate (Ex: cement slurry), is allowed to percolate into the ground. Adequate precautions are to be taken to safeguard against this including, reduction of wasteful curing processes, collection, basic filtering and reuse. The contractor shall follow requisite measures for collecting drainage water run-off from construction areas and material storage sites and diverting water flow away from such polluted areas. Temporary drainage channels, perimeter dike/swale, etc. shall be constructed to carry the pollutant-laden water directly to the treatment device or facility (municipal sewer line).

2.10 Staging (dividing a construction area into two or more areas to minimize the area of soil that will be exposed at any given time) should be done to separate undisturbed land from land disturbed by construction activity and material storage.

2.11 The contractor shall comply with the safety procedures, norms and guidelines (as applicable) as outlined in the document Part 7 \_Constructional practices and safety, 2005, National Building code of India, Bureau of Indian Standards. A copy of all pertinent regulations and notices concerning accidents, injury and first-aid shall be prominently exhibited at the work site. Depending upon the scope & nature of work, a person qualified in first-aid shall be available at work site to render and direct first-aid to casualties. A telephone may be provided to first-aid assistant with telephone numbers of the hospitals displayed. Complete reports of all accidents and action taken thereon shall be forwarded to the competent authorities.

2.12 The contractor shall ensure the following activities for construction workers safety, among other measures:

- Guarding all parts of dangerous machinery.
- Precautionary signs for working on machinery
- Maintaining hoists and lifts, lifting machines, chains, ropes, and other lifting tackles in good condition.
- Durable and reusable formwork systems to replace timber formwork and ensure that formwork where used is properly maintained.
- Ensuring that walking surfaces or boards at height are of sound construction and are provided with safety rails or belts.

- Provide protective equipment; helmets etc.
  - Provide measures to prevent fires. Fire extinguishers and buckets of sand to be provided in the fire-prone area and elsewhere.
  - Provide sufficient and suitable light for working during night time.
- 2.13 Adopt additional best practices, prescribed norms in construction industry.
- 2.14 The storage of material shall be as per standard good practices as specified in Part 7, Section 2 – Storage, Stacking and Handling practices, NBC 2005 and shall be to the satisfaction of the Engineer-in-charge to ensure minimum wastage and to prevent any misuse, damage, inconvenience or accident. Watch and ward of the Contractor's materials shall be his own responsibility. There should be a proper planning of the layout for stacking and storage of different materials, components and equipment's with proper access and proper maneuverability of the vehicles carrying the materials. While planning the layout, the requirements of various materials, components and equipment's at different stages of construction shall be considered. The Owner shall not take any responsibility on any account.
- 2.15 The contractor shall provide for adequate number of garbage bins around the construction site and the workers facilities and will be responsible for the proper utilization of these bins for any solid waste generated during the construction. The contractor shall ensure that the site and the workers facilities are kept litter free. Separate bins should be provided for plastic, glass, metal, biological and paper waste and labelled in both Hindi and English.
- 2.16 The contractor shall prepare and submit 'Spill prevention and control plans' before the start of construction, clearly stating measures to stop the source of the spill, to contain the spill, to dispose the contaminated material and hazardous wastes, and stating designation of personnel trained to prevent and control spills. Hazardous wastes include pesticides, paints, cleaners, and petroleum products.
- 2.17 Contractor shall collect the relevant material certificates for materials with high recycled (both post-industrial and post-consumer) content, including materials for structural use like TMT steel rolled with high percentage of recycled steel, and RMC mix with fly-ash etc. (see appendix)
- 2.18 Contractor shall collect the relevant material certificates for rapidly renewable materials such as bamboo, wool, cotton insulation, agrifiber, linoleum, wheat board, strawboard and cork.
- 2.19 Contractor shall adopt an IAQ (Indoor Air Quality) management plan to protect the system during construction, control pollutant sources, and interrupt pathways for contamination. He shall sequence installation of materials to avoid contamination of absorptive materials such as insulation, carpeting, ceiling tile, and gypsum wallboard. He shall also protect stored on-site or installed absorptive materials from moisture damage.
- 2.20 The contractor shall ensure that a flush out of all internal spaces is conducted prior to Andover. This shall comprise an opening of all doors and windows for 14 days to vent out any toxic fumes due to paints, varnishes, polishes, etc.
- 2.21 Contractor shall make efforts to reduce the quantity of indoor air contaminants that are dorous or potentially irritating harmful to the comfort and well-being of installer and



building occupants. Contractor shall ensure that the VOC (Volatile Organic Compounds) content of paints, coatings and primers used must not exceed the VOC content limits mentioned below:

Paints

Non-flat - 150 g/L

Flat (Mat) - 50 g/L

Anti-corrosive/ anti rust - 250 g/L

Coatings

Clear wood

finishes Varnish -

350 g/L Lacquer -

550 g/L

Floor coatings - 100 g/L

Stains - 250 g/L

Sealers

Waterproofing sealer - 250 g/L

sanding sealer - 275 g/L

Other sealers - 200 g/L

The VOC (Volatile Organic Compounds) content of adhesives and sealants used must be less than VOC content limits mentioned:

Architectural Applications VOC Limit (g/l less water)

Indoor Carpet adhesives - 50

Carpet Pad Adhesives - 50

Wood Flooring Adhesive -

100 Rubber Floor Adhesives

- 60 Sub Floor Adhesives -

50 Ceramic Tile Adhesives -

65

VCT and Asphalt Tile adhesives

- 50 Dry Wall and Panel

Adhesives - 50 Structural

Glazing Adhesives - 100

Multipurpose Construction Adhesives - 70

Substrate Specific Application VOC Limit (g/l less water) Metal to Metal - 30

Plastic Foams - 50

Porous material (except wood) -

50 Wood - 30

Fiber Glass – 80

- 2.22 Wherever required, Contractor shall meet and carry out documentation of all activities on site, supplementation of information, and submittals in accordance with GRIHA program standards and guidelines. Towards meeting the aforementioned building environmental rating standard(s) expert assistance shall be provided to him up on request.

**2.23 WATER USE DURING CONSTRUCTION**

Contractor should spray curing water on concrete structure and shall not allow free flow

of water. After liberal curing on the first day, all the verticals surfaces of concrete structures should be painted with curing chemical to save water nothing extra shall be paid. Concrete structures should be kept covered with thick cloth/gunny bags and water should be sprayed on them. Contractor shall do water ponding on all sunken slabs using cement and sand mortar.

- 2.24 The Contractor shall remove from site all rubbish and debris generated by the Works and keep Works clean and tidy throughout the Contract Period. All the serviceable and non-service able (malba) material shall be segregated and stored separately. The malba obtained during construction shall be collected in well-formed heaps at properly selected places, keeping in a view safe condition for workmen in the area. Materials which are likely to cause dust nuisance or undue environmental pollution in any other way, shall be removed from the site at the earliest and till then they shall be suitable covered. Glass & steel should be dumped or buried separately to prevent injury. The work of removal of debris should be carried out during day. In case of poor visibility artificial light may be provided.

## **2.25 MATERIALS & FIXTURES FOR THE PROJECT**

- 2.26 The contractor shall endeavour to source most of the materials for construction at this project within a distance of 800 km radius from the project site. Contractor shall collect the relevant material certificates to prove the same
- a) Any material that is to be sourced from outside the prescribed radius shall be done after securing the necessary approval from the Engineer-in-charge.
  - b) All cement used at site for reinforced concrete, precast members, mortar, plaster, building blocks, etc shall be PPC (Ordinary Portland Cement). The PPC must meet the requirements of IS 1489: 1991. (Minimum 25% replacement of cement with fly ash in PPC (Portland Pozzolona Cement) by weight of the cement used in the overall RC for meeting the equivalent strength requirements).
  - c) As a measure to reduce wastage and water consumption during construction, the contractor shall source or set up the infrastructure for a small scale ready mix concrete, all concreting works at site shall utilise only batch mix concrete.
  - d) The contractor has to comply as per MoEF issued notification 8.0.763(E) dated 14<sup>th</sup> Sept.1999 containing directive for greater fly ash utilization, where it stipulates that ii. Every construction agency engaged in the construction of buildings within a radius of 50 km radius of a Thermal Power Plant, have to use of 100% fly ash based bricks/blocks in their construction. Any brick/block containing more than 25% fly ash is designated as fly ash brick/block. As per GRIHA credits, bricks / blocks should contain more than 40% fly ash.
  - e) The contractor shall ensure that sand from approved source is used in place of sand in an all concreting works unless specifically instructed otherwise by the Engineer-in-charge.
  - f) Timber and aluminum use should be minimized in the project. If used, timber shall constitute of reclaimed timber and aluminum shall constitute recycled content. The source of such reclaimed timber shall be approved by the Engineer-in-charge.
  - g) The contractor shall ensure that nontoxic anti-termite and other pest control is strictly used.
  - h) The contractor shall ensure that all paints, polishes, adhesives and sealants used both internally and externally, on any surface, shall be Low VOC products. The contractor shall get prior approval from the Engineer-in-charge before the application of any such

material.

- i) All plumbing and sanitary fixtures installed shall be as per the requirement of the of the GRIHA and shall adhere to the minimum LPM and LPF mentioned.
- j) The contractor shall employ 100% zero ODP (ozone depletion potential) insulation; HCFC hydro-chlorofluorocarbon/ and CFC (chlorofluorocarbon) free HVAC and refrigeration equipment's and/halon-free fire suppression and fire extinguishing systems. The contractor shall ensure that all composite wood products/agro-fibre products used for cabinet work, etc do not contain any added urea formaldehyde resin.

## **2.28 CONSTRUCTION WASTE**

- a) Contractor shall ensure that wastage of construction material is kept to a maximum of 3%.
- b) All construction debris generated during construction shall be carefully segregated and stored in a demarcated waste yard. Clear, identifiable areas shall be provided for each waste type. Employ measures to segregate the waste on site into inert, chemical, or hazardous wastes.
- c) All construction debris shall be used for road preparation, back filling, etc, as per the instructions of the Engineer-in-charge, with necessary activities of sorting, crushing, etc.
- d) No construction debris shall be taken away from the site, without the prior approval of the Engineer-in-charge.
- e) The contractor shall recycle the unused chemical/hazardous wastes such as oil, paint, batteries, and asbestos
- f) If and when construction debris is taken out of the site, after prior permissions from the Project Manager, then the contractor shall ensure the safe disposal of all wastes and will only dispose of any such construction waste in approved dumping sites.
- g) Inert waste to be disposed off by Municipal Corporation/ local bodies at landfill sites.

## **2.29 Documentation**

- a) The contractor shall, during the entire tenure of the construction phase, submit the following records to the Engineer-in-charge on a monthly basis:
  - i) Water consumption in litres
  - ii) Electricity consumption in 'kwh' units
  - iii) Diesel consumption in litres
  - iv) Quantum of waste generated at site and the segregated waste types divided into inert, chemical and hazardous wastes.
  - v) Digital photo documentation to demonstrate compliance of safety guidelines as specified here.
- b) The contractor shall, during the entire tenure of the construction phase, submit the following records to the Engineer-in-charge on a weekly basis:
  - i) Quantities of material brought into the site, including the material issued to the contractor.
  - ii) Quantities of construction debris (if at all) taken out of the site
  - iii) Digital photographs of the works at site, the workers facilities, the waste and other material storage yards, pre-fabrication and block making works, etc as guided by the Engineer-in-charge.
- c) The contractor shall submit one document after construction of the buildings, a brief description along with photographic records to show that other areas have not been

disrupted during construction. The document should also include brief explanation and photographic records to show erosion and sedimentation control measures adopted. (Document CAD drawing showing site plan details of existing vegetation, existing buildings, existing slopes and site drainage pattern, staging and spill prevention measures, erosion and sedimentation control measures and measures adopted for top soil preservation during construction)

- d) The contractor shall submit to the Engineer-in-charge after construction of the buildings, a detailed as built quantification of the following:
- i) Total materials used,
  - ii) Total top soil stacked and total reused
  - iii) Total earth excavated,
  - iv) Total waste generated,
  - v) Total waste reused,
  - vi) Total water used,
  - vii) Total electricity, and
  - viii) Total diesel consumed.
- e) The contractor shall submit to the Engineer-in-charge, before the start of construction, a site plan along with a narrative to demarcate areas on site from which top soil has to be gathered, designate area where it will be stored, measures adopted for top soil preservation and indicate areas where it will be reapplied after construction is complete.
- f) The contractor shall submit to the Engineer-in-charge, a detailed narrative (not more than 250 words) on provision for safe drinking water and sanitation facility for construction workers and site personnel.
- g) Provide supporting document from the manufacturer of the cement specifying the fly-ash content in PPC used in reinforced concrete.
- h) Provide supporting document from the manufacturer of the pre-cast building blocks specifying the fly ash content of the blocks used in an infill wall system.
- i) The contractor shall, at the end of construction of the buildings, submit to the Engineer-in-charge, submit following information, for all material brought to site for construction purposes, including manufacturer's certifications, verifying information, and test data, where Specifications sections require data relating to environmental issues including but not limited to:

Source of products: Supplier details and location of the supplier and brand name.

- ii) Project Recyclability: Submit information to assist Owner and WAPCOS in recycling materials involved in shipping, handling, and delivery, and for temporary materials necessary for installation of products.
- iii) Recycled Content: Submit information regarding product postindustrial recycled and post-consumer recycled content. Use the "Recycled Content Certification Form", to be provided by the Commissioning Authority appointed for the Project.
- iv) Product Recyclability: Submit information regarding product and product's component's recyclability including potential sources accepting recyclable materials.
- v) Clean tech: Provide pollution clearance certificates from all manufacturers of materials

- vi) Indoor Air quality and Environmental Issues: Submit following certificates:
  - a) Certifications from manufacturers of Low VOC paints, adhesives, sealant and polishes used at this particular project site.
  - b) Certification from manufacturers of composite wood products/agro fibre products on the absence of added urea formaldehyde resin in the products supplied to them to this particular site.
  - c) Submit environmental and pollution clearance certificates for all diesel generators installed as part of this project.
- j) Provide total support to the Engineer-in-charge appointed by the WAPCOS in completing all Green Building Rating related formalities, including signing of forms, providing signed letters in the contractor's letterhead.

### **2.30 EQUIPMENT**

- a) To ensure energy efficiency during and post construction all pumps, motors and engines used during construction or installed, shall be subject to approval and as per the specifications of the architects.
- b) All lighting installed by the contractor around the site and at the labour quarters during construction shall be CFL/LED bulbs of the appropriate illumination levels. This condition is a must, unless specifically prescribed.

The contractor is expected to go through all other conditions of the GRIHA rating stipulations, which can be provided to him by the architects.

Failure to adhere to any of the above mentioned items, without necessary clearances from the architects and the Engineer-in-charge, shall be deemed as a violation of contract and the contractor shall be held liable for penalty as determined by the architects.

## **CLAUSE 44: PAYMENT**

### **1. Payment Schedule**

The Payment Schedule includes a schedule setting out each Milestone Event to be achieved in a month for the Works.

### **2. Contractor's Application for Payment**

From the date of issue of the Notice to Proceed, on the 5th (fifth) Business Day of any month, the Contractor may submit a Request for Payment, to WAPCOS Limited Representative in respect of the preceding month.

Within each Request for Payment the Contractor shall show separately:

- (i) the amounts which the Contractor claims to be payable as the cost of the Works completed during that month; and
- (ii) the cumulative amount of all prior payments made by WAPCOS Limited; and
- (iii) any amounts to which the Contractor considers are due and payable to it in accordance with the provisions of the Contract.

#### **The Contractor's Request for Payment shall:**

- (i) be prepared on forms in the form and in a number advised by WAPCOS Limited

- Representative; and
- (ii) contain confirmation of the relevant Milestone Events which, in the opinion of the Contractor have been achieved in that month which applies to each such Milestone Event; and
  - (iii) be accompanied by:
    - (a) Copy of relevant records of measurement of works, jointly taken and signed by both the parties;
    - (b) A status report describing in such detail as may reasonably request, the percentage of any uncompleted Milestone Event for the month in question and the work to be undertaken by the Contractor prior to the next Request for Payment;
    - (c) Certification by WAPCOS Limited Representative confirming that the Milestone Events referred to in the Request for Payment have been achieved.
    - (d) Confirmation by the Contractor of any amounts due and owing from the Contractor to WAPCOS Limited pursuant to the Contract;
    - (e) The Contractor's certification that the quality of all completed Works accords with the requirements of the Contract;
    - (f) The Contractor's certification that each obligation, item of cost or expense mentioned in that Request for Payment has not been the basis of any previous payment.
    - (g) The Contractor's certification that it has reviewed all financial and budget data contained in the Request for Payment;
    - (h) The Contractor's certification that the quality of all completed Works accords with the requirements of the Contract;
    - (i) The Contractor's certification that each obligation, item of cost or expense mentioned in that Request for Payment has not been the basis of any previous payment; and
    - (j) The Contractor's certification that each Subcontractor who performed part of the Works which was included in the immediately preceding Certificates of Payment was paid all amounts then due to it for such Works
    - (k) The Contractor providing evidence of the validity of the Contractor's Insurances.

## **SECTION IV**

---

# **SPECIAL CONDITION OF CONTRACT**

---

**SECTION-IV**  
**SPECIAL CONDITIONS OF CONTRACT**

**1.0 SPECIAL CONDITIONS OF CONTRACT**

The Special Condition of Contract (SCC) shall be followed by the Contractor in addition to the General Condition of Contract (GCC) of tender document. The following General Condition of Contract of this tender are modified/added as detailed below. In case of any discrepancy between GCC and SCC, the SCC will succeed over GCC.

Clause No.	Description	Applicability/Modified/ Added
<b>GENERAL RULES AND DIRECTIONS</b>		
<b>19</b>	List of works from	Not Applicable
<b>DEFINITIONS</b>		
<b>Added</b>	Principal Employer/ Owner/Client means MTPF-AVNL, Ambernath, Maharashtra	
<b>2(iii)</b>	Work / Project Means: <b>As Mentioned in NIT</b>	
<b>2(iv)</b>	Site / Location Means <b>As Mentioned in NIT</b>	
<b>2 (vi &amp; vii)</b>	Engineer-In-Charge & Accepting Authority Will be intimated to the successful Bidder at the time of issue of Notice to Proceed the works.	
<b>2 (x)</b>	<b>Market Rate</b> Percentage on cost of materials and labour to cover all overheads and profits	15%
<b>2(xi)</b>	Standard Schedule of Rates for works	Work will be executed as per the provisions of Delhi Schedule of Rates 2023
<b>2(xvi)</b>	Date of Commencement of work	14 days after date of award of Work (LOA) or date of handling over of site, whichever is later.
<b>CLAUSES OF CONTRACT</b>		
Clause 1	Performance Guarantee a) Performance Guarantee.  b) Time allowed for submission of Performance Guarantee from the date of issue of letter of Acceptance/Award.  c) Validity of Performance Guarantee	<b>Applicable</b> 5% of Award Value  21 days  The Performance Guarantee shall be initially valid up to the stipulated date of completion plus 12 months claim period beyond that.



Clause No.	Description	Applicability/Modified/ Added
	d) Release of Performance Guarantee	Performance guarantee shall be returned to the contractor, without any interest after Completion & successful handing over of the project.
Clause 1A	Security Deposit	Modified: 2.5% of Each Running Bill
	Release of Security Deposit	Added: (Bank Guarantee or Deposit Form) On Successful Completion of Defect Liability Period without any interest.
Clause 2	Compensation for Delay	Modified: 1% per 15 days of the cost of unfinished or balanced work. (Maximum up to 10% of the actual cost of work which includes awarded cost of work, cost of extra items/ substituted items and cost of deviation, if any.)
Clause 2A	Incentive for Early Completion	Not Applicable
Clause 5	Time and Extension for Delay	Added
	Number of days from the date of issue of letter of acceptance/Letter of Award for reckoning date of start	7 days
	Schedule of handing over of site	Within 7 days from date of start
	Schedule of issue of Designs/Drawings	Within 15 Days from date of start and as per work progress
	Stipulated time of completion of project	As Mentioned in NIT
Clause 7	Payment on Intermediate Certificate to be Regarded as advance	Not Applicable
New Clause 7A (Added)	Payment	The Bidder (Contractor) acknowledges that under the present Tender and Work Order/ Contract Agreement (if work is awarded to bidder), WAPCOS is working as implementing agency on behalf of Department of AVNL Ambernath, Maharashtra, being Principal Employer. Thus the bidder unconditionally acknowledges that the payments under the present Tender and Work Order/ Contract Agreement (if work is awarded to bidder) shall be made proportionately by WAPCOS only on back to back basis i.e., after 21 days subject to receipt of payment from AVNL. The Bidder also unconditionally agree that in the event the, payment or part thereof, under the present Tender and Work Order/ Contract Agreement (if work

Clause No.	Description	Applicability/Modified/ Added
		<p>is awarded to bidder) is not received from AVNL Ambarnath, Maharashtra, then WAPCOS &amp;/or any of its Employee/ Officer shall not be responsible to pay any amount to Bidder. The said condition shall supersede any and all other conditions of Tender and Work Order/ Contract Agreement between the parties (if work is awarded to bidder).</p> <p>All payments shall be released by way of e-transfer through RTGS in India directly at their Bank account by WAPCOS</p>
Clause 10	Materials Supplied by WAPCOS	Not Applicable
Clause 10A	<p>Materials to be Provided by Contractor</p> <p>List of Testing Equipment to be provided by the Contractor at site lab</p> <ol style="list-style-type: none"> <li>1. Cube Testing Machine along with sufficient numbers of cube moulds</li> <li>2. Set of Sieves for testing of Coarse &amp; fine aggregate along with shaker</li> <li>3. Slump Cone</li> <li>4. Vernier Calliper, Screw Gauge, Wire gauge</li> <li>5. Weighing Balance with weights</li> <li>6. Rebound Hammer</li> <li>7. For testing of Design Mix Concrete at site, necessary testing equipment and facility (as per BIS) shall be made available by Contractor as and when required by Engineer-In-Charge or his authorized representative and nothing extra shall be paid on account of this.</li> </ol> <p>(Note: The listed equipment / instruments will be installed at his own cost by Contractor in laboratory room which to be constructed by the Contractor at</p>	Added

Clause No.	Description	Applicability/Modified/ Added
	his own cost).	
Clause 10 B(i)	Secured Advance on Non-Perishable Materials	<p>Added:</p> <p><b>Recovery of Secured Advance:</b> Recovery shall be made by the deduction from the contractors bills commencing after first 10% of the gross value of the work is executed and paid, on pro-rata percentage basis to the gross value of the work billed beyond 10% in such a way that the entire advance is recovered by the time 80% of the gross value of the contract is executed and paid.</p>
Clause 10 B(ii)	Mobilization Advance, Interest & Recovery	<p>Applicable</p> <p>10% of the award value on submission of Bank Guarantee/(s) from Scheduled Bank for the amount equal to 110% of the amount of advance and valid for the contract period with 12 months claim period beyond validity. The mobilization advance bear simple interest at the rate of 10 percent per annum and shall be calculated from the date of payment to the date of acceptance of the RA Bill by Engineer-In-Charge. (It will be provided to the contractor if the same is provided by AVNL to WAPCOS).</p> <p>The Bank Guarantee/(s) shall be kept renewed from time to time to cover the balance amount and likely period of complete recovery. Such Bank Guarantee/(s) as renewed and as available with WAPCOS by the time full recovery of the mobilization advance made will be returned to the Contractor.</p> <p>Recovery of such sums advanced shall be made by the deduction from the contractors bills commencing after first 10% percent of the gross value of the work is executed and paid, on pro-rata percentage basis to the gross value of the work billed beyond 10% in such a way that the entire advance is recovered by the time 80% (eighty percent) of the gross value of the contract is executed and paid, together with interest due on the entire outstanding amount up to the date of recovery of the installment. However, contractor may proposed extra Percentage/Amount of Recovery of the Mobilization Advance with each Running Bill, if appropriate.</p>

Clause No.	Description	Applicability/Modified/ Added										
Clause 10 C	Payment on Account of Increase in Price / Wages due to Statutory Order	Not Applicable										
Clause 10 CA	Payment due to Variation in Prices of Materials after Receipt of Tender	Not Applicable										
Clause 10 CC	Payment due to Increase / Decrease in Prices / Wages (Excluding Materials covered under Clause 10 CA) after Receipt of Tender for Works	Not Applicable										
Clause 12	Deviations / Variations Extent and Pricing											
	Clause 12.1	Not applicable										
	Clause 12.2(a)	<p>Added as "In the case of extra item(s) (items that are completely new)</p> <p>In case the extra item being the Scheduled Item, in accordance with DSR, the rates for various works shall be determined as per Table mentioned below and shall be paid as approved by WAPCOS.</p> <table border="1" data-bbox="854 1031 1511 1388"> <thead> <tr> <th data-bbox="854 1031 1062 1106">Type of Work</th> <th data-bbox="1062 1031 1511 1106">Applicable Rates</th> </tr> </thead> <tbody> <tr> <td data-bbox="854 1106 1062 1148">Civil</td> <td data-bbox="1062 1106 1511 1148">DSR 2023 + Cost Index @ 16%</td> </tr> <tr> <td data-bbox="854 1148 1062 1226">E&amp;M, Fire Fighting</td> <td data-bbox="1062 1148 1511 1226">DSR 2022 + Cost Index @ 16%</td> </tr> <tr> <td data-bbox="854 1226 1062 1346">Horticultural and Landscape</td> <td data-bbox="1062 1226 1511 1346">DSR 2020 + Cost Index @ 16%</td> </tr> <tr> <td data-bbox="854 1346 1062 1388">HVAC</td> <td data-bbox="1062 1346 1511 1388">DSR 2019 + Cost Index @ 16%</td> </tr> </tbody> </table> <ul style="list-style-type: none"> <li>In case the Non-scheduled item (Not available in above mentioned DSRs), the contractor shall submit proper rate analysis on the basis of the market rates in accordance with the respective DARs and shall be paid as per rate approved by WAPCOS.</li> </ul> <p>GST shall be paid as per Government of India Prevailing Norms.</p>	Type of Work	Applicable Rates	Civil	DSR 2023 + Cost Index @ 16%	E&M, Fire Fighting	DSR 2022 + Cost Index @ 16%	Horticultural and Landscape	DSR 2020 + Cost Index @ 16%	HVAC	DSR 2019 + Cost Index @ 16%
Type of Work	Applicable Rates											
Civil	DSR 2023 + Cost Index @ 16%											
E&M, Fire Fighting	DSR 2022 + Cost Index @ 16%											
Horticultural and Landscape	DSR 2020 + Cost Index @ 16%											
HVAC	DSR 2019 + Cost Index @ 16%											
	Clause 12.2(b)	<p>Modified as "The specification/items mentioned in Tender/BoQ may be substituted as per the requirement of Owner/ WAPCOS.</p> <ul style="list-style-type: none"> <li>In case the substituted item being the Scheduled</li> </ul>										

Clause No.	Description	Applicability/Modified/ Added										
		<p>Item, in accordance with DSR, the rates for various works shall be determined as per Table mentioned below and shall be paid as approved by WAPCOS.</p> <table border="1" data-bbox="854 359 1511 716"> <thead> <tr> <th data-bbox="854 359 1060 436">Type of Work</th> <th data-bbox="1060 359 1511 436">Applicable Rates</th> </tr> </thead> <tbody> <tr> <td data-bbox="854 436 1060 478">Civil</td> <td data-bbox="1060 436 1511 478">DSR 2023 + Cost Index @ 16%</td> </tr> <tr> <td data-bbox="854 478 1060 556">E&amp;M, Fire Fighting</td> <td data-bbox="1060 478 1511 556">DSR 2022 + Cost Index @ 16%</td> </tr> <tr> <td data-bbox="854 556 1060 674">Horticultural and Landscape</td> <td data-bbox="1060 556 1511 674">DSR 2020 + Cost Index @ 16%</td> </tr> <tr> <td data-bbox="854 674 1060 716">HVAC</td> <td data-bbox="1060 674 1511 716">DSR 2019 + Cost Index @ 16%</td> </tr> </tbody> </table> <ul data-bbox="837 762 1523 982" style="list-style-type: none"> <li>In case the Non-scheduled item (Not available in above mentioned DSRs), the contractor shall submit proper rate analysis on the basis of the market rates in accordance with the respective DARs and shall be paid as per rate approved by WAPCOS.</li> </ul> <p data-bbox="818 1014 1523 1087">GST shall be paid as per Government of India Prevailing Norms.</p>	Type of Work	Applicable Rates	Civil	DSR 2023 + Cost Index @ 16%	E&M, Fire Fighting	DSR 2022 + Cost Index @ 16%	Horticultural and Landscape	DSR 2020 + Cost Index @ 16%	HVAC	DSR 2019 + Cost Index @ 16%
Type of Work	Applicable Rates											
Civil	DSR 2023 + Cost Index @ 16%											
E&M, Fire Fighting	DSR 2022 + Cost Index @ 16%											
Horticultural and Landscape	DSR 2020 + Cost Index @ 16%											
HVAC	DSR 2019 + Cost Index @ 16%											
	<p data-bbox="386 1094 581 1125">Clause 12.2(c)</p> <p data-bbox="386 1136 776 1356">i. Deviation Limit beyond which clauses 12.2 (c) shall apply for all items other than foundation work (except earthwork) as mentioned in clause 12.5</p> <p data-bbox="386 1402 751 1549">ii. Deviation limit beyond which clause 12.2 (c) shall apply for foundation work (except earth work)</p> <p data-bbox="386 1596 760 1701">iii. Deviation limit for items in earth work as per the Provision in DSR.</p>	<p data-bbox="1013 1094 1338 1125">Project &amp; Original Works</p> <p data-bbox="1143 1167 1208 1199">40%</p> <p data-bbox="1143 1402 1208 1434">40%</p> <p data-bbox="1143 1596 1208 1627">100%</p> <p data-bbox="829 1686 1533 1759">Modified as "In the case of deviated item(s) beyond above limit:</p> <ul data-bbox="846 1791 1523 1936" style="list-style-type: none"> <li>In case the deviated item being the Scheduled Item, in accordance with DSR, the rates for various works shall be determined as per Table mentioned below and shall be paid as approved</li> </ul>										

Clause No.	Description	Applicability/Modified/ Added										
		<p>by WAPCOS.</p> <table border="1" data-bbox="854 239 1511 600"> <thead> <tr> <th data-bbox="854 239 1060 317">Type of Work</th> <th data-bbox="1060 239 1511 317">Applicable Rates</th> </tr> </thead> <tbody> <tr> <td data-bbox="854 317 1060 359">Civil</td> <td data-bbox="1060 317 1511 359">DSR 2023 + Cost Index @ 16%</td> </tr> <tr> <td data-bbox="854 359 1060 443">E&amp;M, Fire Fighting</td> <td data-bbox="1060 359 1511 443">DSR 2022 + Cost Index @ 16%</td> </tr> <tr> <td data-bbox="854 443 1060 558">Horticultural and Landscape</td> <td data-bbox="1060 443 1511 558">DSR 2020 + Cost Index @ 16%</td> </tr> <tr> <td data-bbox="854 558 1060 600">HVAC</td> <td data-bbox="1060 558 1511 600">DSR 2019 + Cost Index @ 16%</td> </tr> </tbody> </table> <ul style="list-style-type: none"> <li data-bbox="834 646 1523 863">In case the Non-scheduled item (Not available in above mentioned DSRs), the contractor shall submit proper rate analysis on the basis of the market rates in accordance with the respective DARs and shall be paid as per rate approved by WAPCOS.</li> </ul> <p data-bbox="834 909 1529 978">GST shall be paid as per Government of India Prevailing Norms.</p>	Type of Work	Applicable Rates	Civil	DSR 2023 + Cost Index @ 16%	E&M, Fire Fighting	DSR 2022 + Cost Index @ 16%	Horticultural and Landscape	DSR 2020 + Cost Index @ 16%	HVAC	DSR 2019 + Cost Index @ 16%
Type of Work	Applicable Rates											
Civil	DSR 2023 + Cost Index @ 16%											
E&M, Fire Fighting	DSR 2022 + Cost Index @ 16%											
Horticultural and Landscape	DSR 2020 + Cost Index @ 16%											
HVAC	DSR 2019 + Cost Index @ 16%											
	Clause 12.3, 12.5	<b>Not Applicable</b>										
Clause 17	<p>Contractor liable for Damages, Defects during Defect Liability Period</p> <p><b>Defect Liability Period</b></p>	<p>Added/Modified: <b><i>One (1) years from the date of successful completion of each component of the project and handing over to WAPCOS with all satisfaction &amp; acceptance along with submission of all the required documents i.e. As- built drawings (minimum 5 sets), Inventory list, guarantee / warranty bonds, certificates &amp; invoices of equipment, lock and key of each room and NoCs form various Departments.</i></b></p>										
Clause 19L	<b>Contribution of EPF and ESI</b>	<b>NOT APPLICABLE</b>										
Clause 25	Settlement of Disputes and Arbitration	<p><b>Modified as:</b></p> <ol style="list-style-type: none"> <li data-bbox="829 1539 1523 1881">In the event of any dispute or difference relating to the interpretation and application of the provisions of commercial contract(s) between 'WAPCOS and 'Bidder', such dispute or difference shall be taken up by either party for its resolution through AMRCD as mentioned in DPE OM No. 05/0003/2019-FTS-10937 dated 14th December, 2022 and the decision of AMRCD on the said dispute will be binding on both the parties</li> <li data-bbox="829 1885 1523 1957">Any dispute arising out of the operation of the Contract/s for the subject work will be subject to</li> </ol>										

Clause No.	Description	Applicability/Modified/ Added
		<p>arbitration as provided for in the Contract Agreement of individual work by the 'Bidder. The 'Project Management Consultant' will defend the Arbitration proceedings as best as it can &amp; get the Arbitrator's Award examined by the appropriate authority.</p> <p>Any dispute, controversy or claims arising out of or relating to this Contract Agreement (Agreement that will be signed between WAPCOS and Bidder, if work is awarded to bidder), or the breach termination or invalidity thereof shall be settled through following mechanism:</p> <p>a) Firstly, the aggrieved party shall write a letter to the other party detailing its grievances and calling upon the other party to amicably resolve the dispute by convening a joint meeting. Accordingly, the parties as per their convenience shall jointly convene the said meeting(s), wherein minutes of the said meeting(s) shall be prepared and countersigned by all the parties it is mandatory to prepare minutes of meeting(s) and to be countersigned by all the parties, irrespective of the outcome of the said meeting(s).</p> <p>b) In the event the parties are unable to reach on any settlement in the said meeting(s), then the aggrieved party shall mandatory resort to pre-litigation mediation mechanism with Delhi High Court Mediation Cell, New Delhi.</p> <p>c) It is only upon failure of the pre- litigation mediation mechanism with Delhi High Court Mediation Cell then the aggrieved party shall resort to resolution of disputes through arbitration of a Sole Arbitrator. The appointing authority of Sole Arbitrator is CMD, WAPCOS Limited, to which neither of the parties have any objection nor they shall ever object.</p> <p>d) Subject to the parties agreeing otherwise, the Arbitration proceedings shall be conducted in accordance with the provisions of the Indian Arbitration and Conciliation Act, 1996 (amended as on date).</p> <p>e) It is also acknowledged and accepted that WAPCOS is only working as Intermediary between the Associate /Sub-Consultant/ Sub- Contractor and the Principal Employer/ Client, thus in the event, any dispute arises under the present</p>

Clause No.	Description	Applicability/Modified/ Added			
		<p>agreement and referred to Arbitration for adjudication, then subject to corresponding clause in the Contract/ Agreement /Work Order/ Arrangement between Principal Employer/Client &amp; WAPCOS, Principal Employer/Client shall also be made party to the said Arbitration proceedings. Also, the award including costs if any passed against WAPCOS and costs incurred in the proceedings shall be the sole responsibility of Principal Employer/Client. The said clause if found inapplicable, even then the other terms of the Arbitration Clause shall survive and shall be acted upon.</p> <p>f) The place/seat of arbitration shall be Delhi and any award whether interim or final, shall be made, and shall be deemed for all purposes between the parties to be made, in Delhi. The arbitral procedure shall be conducted in English language and any award or awards shall be rendered in English. The procedural law of the arbitration shall be Indian Law. The award of the arbitrator shall be final and conclusive and binding upon the Parties.</p> <p>g) The Contract and any dispute or claim arising out of or in connection with it or its subject matter or formation (including non-contractual disputes or claims) shall be governed by and construed in accordance with the laws of India and the Parties submit to sole &amp; exclusive jurisdiction of courts at Delhi."</p>			
Clause 27	Lumpsum Provisions in Tender	Not Applicable			
Clause 29B	Employment of coal mining or controlled area labour not permissible	Not Applicable			
Clause 30B	Alternate water arrangements	Not Applicable			
Clause 30	Return of surplus material	Not Applicable			
Clause 32(i) Added	Requirement of Technical Representative(s)				
	S.No	Minimum Qualification	Minimum Experience (Yrs)	Designation of Technical Staff	Recovery of made for non-deployment of staff (Rs.)
1	M. Tech (Structure)	15	Project Manager	60,000 per month	



Clause No.	Description			Applicability/Modified/ Added	
	2	B. Tech (Civil)	5	Construction / Billing & Safety Engineer	35,000 per month
	3	Diploma (Civil)	5	Construction / Billing & Safety Engineer	25,000 per month
	4	Diploma (Electrical)	5	Electrical Works supervisor	25,000 per month
	Note: <ul style="list-style-type: none"> <li>The staff above is required to be deployed at site &amp; should have experience in execution of at least one similar work.</li> <li>Above proposed deduction shall be made only if project execution is delayed by the contractor without valid justification at the discretion of WAPCOS.</li> </ul>				
Clause 39	Compensation During War Like Situation			Not Applicable	

**Additional Clause-1****short fall Performance Indicates & Damages payable by the Contractor**

	Performance Area	Measurement Key	Curing/Time period	Damages for shortfall (in Rs)
1	Work Plan (Detailed Plan showing completion work in MS Project/ Primavera)	Submission of work plan through email/hard copy	15 Days	5000/day
2	Deployment of manpower (CVs of manpower should be submitted to WAPCOS for information)	Site attendance register & Physical verification by Project In-Charge	7 Days	Clause 32(i) of SCC
3	Monthly Progress report (MPR to be submitted every 10 <sup>th</sup> of the next month as per the given format in NIT or by Project In-Charge.	To be submit through email & Hard copy as per the given format	1 week	5000/ day

**2.0 ADDITIONAL CONDITIONS (As applicable)**

- The Contractor shall be responsible for consequential effects arising out during the inspection done by the Chief Technical Examiner Cell, Central Vigilance Commission or Committee constituted by the AVNL or construction site visiting team of AVNL or by the Building Works Committee or third party authorized by WAPCOS or any Statuary Committee or by any duly authorized representative of WAPCOS, during the progress or any time after the construction and development of project up to the defect liability period, and will take appropriate action for rectification of defective work and modifications as suggested by the above teams/ group/ individual. Rectification of

- defective works or replacement of sub- standard materials or articles or modifications, as pointed out by the Chief Technical Cell, Central Vigilance Commission, committee constituted by AVNL, construction site visiting team of AVNL, Building Works Committee or authorized representative of WAPCOS or third party authorized by WAPCOS or any Statuary Committee, will be carried out or replaced/ modified by the Contractor at his own risk and cost.
2. The contractor shall get the Construction water, tested periodically from outside approved laboratory (within 2 months or early) and daily in site laboratory with regard to its suitability of use in the works and get written approval from the Engineer in charge before he proceeds with the use of same of execution of works. The suitable water for construction shall be arranged by Contractor at his own cost and nothing extra shall be paid to the contractor on this account.
  3. The contractor shall provide fully equipped office for Engineer- in-charge/ site engineer/ along with facility of 24 hours electricity & electric fixtures (including ACs) and drinking water supply, sanitary facilities, furniture, internet, photocopier, computer/ laptop & printer of latest version at construction site and any other miscellaneous requirement as directed by Engineer-in-charge for finalizing immediate technical solutions/decisions on the site, so that the work progress may not be hampered. An amount equal to 1% of the gross amount of running account bills and final bill will be deducted, if above facilities are not provided at site.
  4. If any official of contractor is not following the directions of WAPCOS in the best interest of work, in that case, WAPCOS has full authority to get replaced that official from site of work with prior notice.
  5. Contractor will ensure that work will be executed at site as per the rules and regulations of GRIHA council and maintain all rules and safety, environmental protocols, so that minimum GRIHA 3 Star rating as Green building shall be achieved for the work
  6. **Handing Over of the Project:** Contractor will hand over the project to Owner /Client after successful completion of each component of the project along with submission of all the required documents i.e. As- built drawings, Inventory list, guarantee / warranty bonds, certificates & invoices of equipment, lock and key of each room and NoCs form various Departments with complete satisfaction and acceptance by WAPCOS/AVNL. Contractor shall provide necessary Completion Certificate/NOC from all local Government/ Statuary Authorities including Fire, Forest, Electrical, Environment, Lift, DG Set, Complete inventory list, duly signed as-build drawings, required before handing over the project to the WAPCOS. The partial handing over of works components shall not be considered. Defect Liability period of *One (1) years will start from the date of successful completion of each component of the project and handing over to AVNL/WAPCOS with all satisfaction & acceptance along with submission of all the required documents i.e. As- built drawings, Inventory list, guarantee / warranty bonds, certificates & invoices of equipment, lock and key of each room and NoCs form various Departments.*
  7. All the modifications and any additional works (basic requirement after use of premises by user) suggested by client/WAPCOS at the time of handing over of the project and after occupancy of premises by client during Defect Liability Period must be taken up by contractor without any disputes and without any extra charge.

8. The contractor shall deploy the resources at site to start the construction after clearance from the Owner of the project and subsequent written approval from WAPCOS. No claim shall be entertained for idle labour, idle machinery, idle technical / non-technical staff, idle T&P if any, due to delay in start of the works.
9. Contractor shall deploy adequate technical manpower / expert of each relevant fields as per the scope and requirement of work during execution of work at site which are mandatory as per the standard guidelines.
10. If any dispute/ hindrance arises during construction due to any reason whatsoever, the contractor is not liable for any financial claim or damages due to such circumstances. The contractor will prepare a hindrance register to log any obstacles or challenges that might delay or disrupt project progress. It keeps track of issues like site access problems, material shortages, adverse weather, or any other potential setbacks.
11. All Reinforced Cement Concrete work shall be design mix concrete of specified grade and initial design mix shall be carried out from the NIT/IIT. Slump test should be done at the site before casting to check the workability of concrete. The source of sand and coarse aggregate, as well as the brand of cement chosen by the contractor, should be promptly communicated to WAPCOS and tested prior to use, with the selected brand of cement remaining consistent until the completion of construction.
12. The Contractor shall render all help and assistance in documenting the total sequence of this project by way of photography, videography, slides, and etc. nothing extra shall be payable to the Contractor on this account.
13. Quoted amount by contractor shall be firm and fixed for entire contract period as well as extended period for completion of the works. No escalation shall be applicable on this contract in any circumstances.
14. The contractor shall make his own arrangements for obtaining electric connection and water Connection/arrangement. The water charges and electricity charges as charged by Local Authorities will be paid by the Contractor. No dispute in this regard shall be entertained. The Source of the water should be tested seasonally to make it fit for construction work.
15. The contractor shall deploy the resources at site to start the construction after clearance from the Owner of the project and subsequent written approval from WAPCOS. No claim shall be entertained for idle labour, idle machinery, idle technical / non-technical staff, idle T&P if any, due to delay in start of the works.
16. All the rules and regulations about the Labour working at site and mandatory as per the State Government and Central Government departments will be followed by the contractor. If any issue arises in this regard will be resolved by the contractor. Contractor is liable to extend the benefits as provided under the various statutory and labour laws and other relevant applicable laws to its workforce. EPF/ESI and other labour laws being followed by State/Central Government norms and further amendments time to time would be followed by contractor. WAPCOS will not be a party for the issues related to EPF/ESI. If any type of the miss-happening during the execution of the project (i.e. Injury/Mobilization/Loss/Theft etc.) & the responsibility of skilled and un-skilled labor or any legal matter involved in this matter in the concerned jurisdiction will be borne by Contractor only.

17. The Contractor shall dispose of all the dismantled materials, debris, garbage, waste outside of the campus of the works at his own cost and provide clear and clean site at the time of handing over the works
18. Some restrictions may be imposed by the security staff etc. on the working and for movement for labour materials etc. The contractor shall be bound to follow all such restrictions / instructions and nothing extra shall be payable on this account.
19. The contractor shall be entirely and exclusively responsible for the horizontal, vertical and other alignment, the level and correctness of every part of the work and shall rectify effectively any errors or imperfections therein. Such rectifications shall be carried out by the contractor at his own cost to the instructions and satisfaction of the Engineer-in-Charge.
20. The cost/rates quoted by the contractor are deemed to be inclusive of site clearance, setting out work, profile, establishment of reference bench mark, spot levels, construction of all safety and protection devices, barriers, earth embankments, preparatory works, all testing of materials working during monsoon, working at all depths, height and locations etc. unless specified in the schedule of quantities.
21. Royalty at the prevailing rates wherever payable shall have to be paid by the contractor on the boulders, metal, shingle, sand and bajri etc. Or any other material collected by him for the work direct to revenue authorities and nothing extra shall be paid by the department for the same.
22. The contractor shall provide at his own cost suitable weighing, surveying and leveling and measuring arrangements as may be necessary at site for checking. All such equipment shall be got calibrated in advance from laboratory, approved by the Engineer-in-Charge. Nothing extra shall be payable on this account.
23. The contractor shall comply with proper and legal orders and directions of the local or public authority or municipality and abide by their rule and regulations and pay all fees and charges which he may be liable.
24. The contractor shall give a performance test of the entire installation (s) as per standing specification before the work is finally accepted and nothing extra whatsoever shall be payable to the contractor for the test.
25. Any cement slurry added over base surface (or) for continuation of concreting for better bond is deemed to have been in-built in the items and nothing extra shall be payable (or) extra cement considered in consumption on this account.
26. Samples of various materials required for testing shall be provided free of charges by the contractor. Testing charges, if any, unless otherwise provided shall be borne by the Contractor. All other expenditure required to be incurred for taking the samples, conveyance, packing etc. shall be borne by the contractor himself.
27. The contractor shall have to make approaches road to the site, if so required and keep them in good condition for transportation of labour and materials as well as inspection of works by the Engineer-in-charge. Nothing extra shall be paid on this account.
28. No payment shall be made for any damage caused by rain, snowfall, flood or any other natural calamity, whatsoever during the execution of the work. The contractor shall be fully responsible for any damage to the govt. property and work for which the payment

has been advanced to him under the contract and he shall make good the same at his risk and cost. The contractor shall be fully responsible for safety and security of his material, T&P, Machinery brought to the site by him.

29. The terms machine batched, machine mixed and machine vibrated concrete used elsewhere in agreement shall mean the concrete produced in concrete batching and mixing plant and if necessary transported by transit concrete mixers, placed in position by the concrete pumps, tower crane and vibrated by surface vibrator /needle vibrator / plate vibrator, as the case may be to achieve required strength and durability.
30. Wherever work is specified to be done or material procured through specialized agencies, their names shall be got approved well in advance from Engineer in charge. Failure to do so shall not justify delay in execution of work. It is suggested that immediately after award of work, contractor should negotiate with concerned specialist agencies and send their names for approval to Engineer in charge. Any material procured without prior approval of Engineer in charge in writing is liable to be rejected. Engineer in charge reserves right to get the materials tested in laboratories of his choice before final acceptance. Nonstandard materials shall not be accepted.
31. The construction joints shall be provided in predetermined locations only as decided by Engineer in charge. The cost of shuttering for these construction joints shall be included in item of Concrete work / RCC work and nothing extra shall be payable on this account to the contractor.
32. The gradation of fine sand to be used in plaster work, shall be strictly as per standard specification. The plastered surface shall be fairly smooth without any undulation of any kind for applying paint/white wash.
33. No chase cutting/dismantling of plaster/RCC/CC shall be allowed, so contractor has to execute the electrical work accordingly.
34. The contractor shall invariably prepare the samples of finishing items i.e. flooring of different types, external & internal finishing i/c colour scheme of paint, tiles in dado, flooring in platforms & staircase, water supply & sanitary fittings and any other item as per direction of Engineer-in-charge. The contractor shall proceed with further finishing items only after getting the samples of these items approved in writing from Engineer-in-charge.
35. One sample room complete in all shape for each category, shall be prepared by the contractor and got approved from Engineer-in-charge in writing. The contractor shall be allowed to proceed with further rooms only after getting the sample room approved in writing from Engineer-in-charge No extra claim whatsoever beyond the payments due at agreement rates will be entertained from the contractor on this account.
36. The contractor shall establish a fully equipped site laboratory and shall provide electrically operated cube crushing and testing machine appliance at site, such as weighing, scale, graduated cylinder, standard sieves, thermometer, slump cones etc. all relevant tests for BMC / RMC as per prescribed IS codes in order to enable the Engineer in charge to conduct field tests to ensure that the quality is consistent with the prescribed specifications and nothing extra shall be paid on this account.
37. The contractor or his authorized representative shall associate in collection, preparation, forwarding and testing of such samples. In case, he or his authorized

representative is not present or does not associate himself, the results or such tests and consequences thereon shall be binding on the contractor.

38. The material shall conform to the quality and make as per attached list. However for the items not appearing in the list preference shall be given to those articles which bear ISI certification marks. In case articles bearing ISI certification marks are not available the quality of sample brought by the Contractor shall be judged by the standard laid down in the relevant ISI specification. All materials and articles brought by the contractor to the site for use shall conform to the samples approved, which shall be preserved till the completion of the work. Notwithstanding the case of materials of "Preferred Make" as given provisions of Clause 10A of the General Conditions of Contract for Central PWD works shall be applicable on the materials of "Preferred Make" also.
39. It must be ensure that all materials to be used in work bear BIS certification mark. In cases where BIS certification system is available for a particular material/product but not even a single producer has so far approached BIS for certification the material can be used subject to the condition that it should confirm to standard specification and relevant BIS codes. In such case written approval of the Engineer-In-Charge may be obtained before use of such material in the work.
40. The final approval of the brand to be used shall be as per the direction of Engineer-in-Charge. The brand used shall be one of the brands in case specified in the list of preferred make / materials.
41. The cube test will be conducted according to IS code standards. If the cube test fails on the 7th day, it will not proceed to the 14th day.
42. The contractor must ensure that all laborers on-site have proper identification, as this is a defense site where adherence to security rules and regulations is crucial

**43. Special conditions for Cement**

The contractor shall procure 43 grade Ordinary Portland Cement (conforming to IS: 8112), Portland Pozzolona Cement (confirming to IS: 1489 : Part –I) as required in the work, from reputed manufacturers of cement as per the list of approved makes or from any other reputed cement manufacturer, having a production capacity not less than one million tones per annum as approved by WAPCOS. The tenderers may also submit a list of names of cement manufacturers which they propose to use in the work. The tender accepting authority reserves right to accept or reject name(s) of cement manufacture(s) which the tenderer proposes to use in the work. No change in the tendered rates will be accepted if the tender accepting authority does not accept the list of cement manufactures, given by the tenderer, fully or partially. The cement brought to the site for execution of work shall be in bags bearing manufacturer's name & ISI marking. Weight of cement in each bag shall be 50 kg. Samples of cement arranged by the contractor shall be taken by the Engineer- in- Charge and got tested in accordance with provisions of relevant BIS codes. In case the test results indicate that the cement arranged by the contractor does not conform to the relevant BIS codes, the same shall stand rejected and it shall be removed from the site by the contractor at his own cost within 7 days of written order from the Engineer-in-Charge to do so.

**44. Special Conditions for Steel:-**

The contractor shall procure TMT bars of Fe500/Fe500D/Fe550/Fe550D grade (the grade to be procured is to be specified) from primary steel producers as per the list of approved makes or any other producer as approved by WAPCOS who are using iron ore as the basic raw material / input and having crude steel capacity of 2.0 Million tonnes per annum and above.

**45. Removal of rejected/sub-standard materials.**

The following procedure shall be followed for the removal of rejected/sub-standard materials from the site of work:

- (i) Whenever any material brought by the contractor to the site of work is rejected, entry thereof should invariably be made in the Site Order Book under the signature of the Engineer-In-Charge, giving the approximate quantity of such materials.
  - (ii) As soon as the material is removed, a certificate to that effect shall be recorded by the Engineer-In-Charge against the original entry, giving, the date of removal and mode of removal, i.e., whether by truck, carts, or by manual labour. If the removal is by truck, the registration number of the truck should be recorded.
  - (iii) When it is not possible for the Engineer-In-Charge to be present at the site of work at the time of actual removal of the rejected/sub-standard materials from the site, the required certificate should be recorded by the Authorized Representative of WAPCOS, and the Engineer-In-Charge should countersign the certificate recorded by the Authorized Representative.
46. In case of works where a ready mix concrete (RMC) is stipulated to be used from an approved source/manufacture, cement register need not be maintained. However, the computerized dispatch slips that are sent with each dispatch of RMC shall be kept as record.
  47. Since the site is in a restricted area, all laborers must carry a proper identification ID issued by the contractor. Additionally, daily laborers should not be changed frequently. In case of any changes, the identification ID of the new laborer must be submitted to security in advance.
  48. If the work is carried out in more than one shift or during night, no claim on this account shall be entertained. The contractor has to take permission from the police & local authorities etc. if required for work during night hours. No claim / hindrance on this account shall be considered if work is not allowed during night time. The requisite supervision shall be made available by the WAPCOS along with necessary issue of material under joint custody.
  49. Contractor should hand over the warranty of the specialized items to the WAPCOS.
  50. Contractor shall submit all the Guarantee/ Warranty bond for the water proofing for 10 years of service warranty and Anti- Termite Treatment works for 5 years of service warranty.
  51. The contractor is required to deploy resources as per availability of site. However, no claim will be entertained for idle labour, idle machinery, idle technical/no-technical staff, idle T&P etc.

52. Contractor shall not divert any advance payments or part thereof for any work other than that needed for completion of the contracted work. All advance payments received as per terms of the contract (i.e. mobilization advance, secured advance against materials brought at site, secured advance against plant & machinery and/or for work done during interim stages, etc.) are required to be re-invested in the contracted work to ensure advance availability of resources in terms of materials, labour, plant & machinery needed for required pace of progress for timely completion of work.
53. In case of any inconsistency between clauses, the clause favorable/ beneficiary to the project will prevail which will be decided by the owner and WAPCOS.

### **3.0 SPECIFIC CONDITIONS FOR WORKS**

- (a) Efforts to be made to cause minimum possible disturbance in surrounding area / building during execution of work. For this purpose, the site for stacking of materials, mixing of concrete/mortar etc shall be selected carefully by Contractor in consultation with WAPCOS/Client.
- (b) The water required for the construction purpose will be made available at the nearest water point. The Contractor has to make arrangement for tapping of the water line and lead length of water pipe required for the purpose. The Contractor shall make his own arrangements for storage of adequate quantity of water required.
- (c) Necessary electric supply if required will be made available to the Contractor on demand at the nearest feeder pillar/ pole. For this purpose the Contractor has to bring his own energy meter which will be tested and approved by the factory before installation at site. The levy of electricity charges shall be as per the prevailing rates based on periodical meter reading to be taken jointly.
- (d) The location for Contractor storage shed if required will be decided by the factory.
- (e) The Contractor shall ensure the existing road surfaces are not utilized for mixing of concrete/cement mortar and for stacking of materials.
- (f) The work is inside prohibited area. Hence the Contractor shall submit the list of personals engaged for subject work to the security officer for their information and record purpose along with necessary procedure of PVR / Notary as required from Security Office MTPF (AVNL).
- (g) The movement of Contractor's labourers shall be restricted to the designated work site only and nuisance/inconvenience to nearby building shall be avoided.
- (h) The normal working hours shall be from 0800 hrs to 17.30 hrs. However, to speed up the work WAPCOS may engage Contractor for extra working hrs with prior intimation to MTPF (AVNL).



## **SECTION – V**

---

## **ANNEXURES**

---

ANNEXURE	I	FORMAT FOR PERFORMANCE SECURITY
ANNEXURE	II	FORMAT FOR ADVANCE PAYMENT BANK GUARANTEE
ANNEXURE	III	FORMAT FOR INDENTURE FOR SECURED ADVANCES
ANNEXURE	IV	FORMAT FOR SEEKING EXTENSION OF TIME
ANNEXURE	V	FORMAT FOR GUARANTEE BONDS / AFFIDAVIT FOR WORK
ANNEXURE	VI	FORMAT FOR GUARANTEE BOND FOR WATER PROOFING TREATMENT
ANNEXURE	VII	FORMAT FOR GUARANTEE BONDS FOR ANTI-TERMITE TREATMENT
ANNEXURE	VIII	SAFETY CODES
ANNEXURE	IX	MODEL RULES FOR THE PROTECTION OF HEALTH AND SANITARY ARRANGEMENTS
ANNEXURE	X	CONTRACTOR'S LABOUR REGULATIONS
ANNEXURE	XI	BANK GUARANTEE FORMAT FOR EMD

**Annexure – I**  
**FORM OF PERFORMANCE GUARANTEE**

WAPCOS Limited,  
76-C, Sector 18, Institutional  
Area Gurgaon, Haryana-122015.

In consideration of \_\_\_\_\_ (Employer's name) (hereinafter referred to as "the Employer") which expression shall, unless repugnant to the context or meaning thereof include its successors, administrators and assigns) having awarded to \_\_\_\_\_ (Contractor's name & address) (hereinafter referred to as "the Contractor" which expression shall unless repugnant to the context or meaning thereof, include its successors, administrators, executors and assigns) a contract, by issue of Employer's Notification of Award No. \_\_\_\_\_ dt. \_\_\_\_\_ and the same having been unequivocally accepted by the Contractor, resulting into a contract valued at Rs. \_\_\_\_\_ (Rupees \_\_\_\_\_ only) for \_\_\_\_\_ (Name of work) (hereinafter called "the contract") and the contractor having agreed to provide a Contract Performance Guarantee for the faithful performance of the entire contract equivalent to Rs. \_\_\_\_\_ (Rupees \_\_\_\_\_ only) (5 % of the said value of the Contract to the Employer).

We, \_\_\_\_\_ (name & address of bank) (hereinafter referred to as "the Bank" which expression shall, unless repugnant to the context or meaning thereof, include its successors, administrators, executors and assigns) do hereby guarantee and undertake to pay the Employer, on demand any or, all monies payable by the Contractor to the extent of Rs. \_\_\_\_\_ (Rupees \_\_\_\_\_ only) as aforesaid at any time upto \_\_\_\_\_ without any demur, reservation, contest, recourse or protest and/or without any reference to the Contractor or court. Any such demand made by the Employer on the bank shall be conclusive and binding notwithstanding any difference between the Employer and the Contractor or any dispute pending before any Court, Tribunal, Arbitrator or any other authority. The Bank undertakes not to revoke this guarantee during its currency without previous consent of the Employer and further agrees that the guarantee herein contained shall continue to be enforceable till the Employer discharges this guarantee.

We the said Bank further agree that the guarantee herein contained shall remain in full force and effect during the period that would be taken for the performance of the said Contract and that it shall continue to be enforceable till all the dues of the Employer under or by virtue of the said contract have been fully paid and its claims satisfied or discharged or till the Employer certifies that the terms and conditions of the said Contract have been fully and properly carried out by the said Contractor and accordingly discharges the guarantee.

The Employer shall have the fullest liberty without affecting in any way the liability of the Bank under this guarantee, from, time to time to extend the time for performance of the Contract by the Contractor. The Employer shall have the fullest liberty without affecting this guarantee, to postpone from time to time the exercise of any powers vested in them or of any right which they might have against the Contractor and to exercise the same at any time in any manner and either to enforce or to forbear to enforce any covenants, contained or implied, in the Contract between the Employer and the Contractor or any other course or remedy or security available to the Employer. The bank shall not be released of its obligations under these presents by any exercise by the Employer of its liberty with reference to the matters aforesaid

or any of them or by reason of any other act or forbearance or other acts of omission or commission on the part of the Employer or any other indulgence shown by the Employer or by any other matter or thing whatsoever which under law would but for this provision, have the effect of relieving the Bank. The guarantee shall not be affected by a change in the constitution of the bank or of the employer.

The bank also agrees that the Employer at its option shall be entitled to enforce this Guarantee against the Bank as a principal debtor, in the first instance, without proceeding against the Contractor and notwithstanding any security or other guarantee that the Employer may have in relation to the Contractor's liabilities.

We The Said Bank do hereby declare that we have absolute and unconditional power to issue this guarantee in your favour under the Memorandum and Articles of Association or such other constitutional documents of the Bank and the undersigned have full power to execute this guarantee under the Power of Attorney / Post Approval Authorization dated

\_\_\_\_\_ of the bank granted to him / us by the Bank. We the said bank do hereby declare and undertake that your claim under the guarantee shall not be affected by any deficiency or other defect in the powers of the bank or its officials and the guarantee shall be deemed to have been issued as if the bank and its officials have all the powers and authorization to give this guarantee on behalf of the bank.

We the said bank do hereby certify the genuineness and appropriateness of the Stamp paper and stamp value used for issuing the guarantee. We the said bank do hereby declare and undertake that your claim under the guarantee shall not be affected by any deficiency or other defect in the stamp paper or its stamp value.

We the said bank do hereby declare that our payments hereunder shall be made to you , free and clear of and without and deduction, reduction on account of any reasons including any and all present and future taxes, levies, charges of withholding whatsoever imposed or collected with respect thereto.

Notwithstanding anything contained hereinabove our liability under this guarantee is restricted to Rs. \_\_\_\_\_ (Rupees \_\_\_\_\_ only) and it shall remain in force upto and including \_\_\_\_\_ and shall be extended from time to time for such period as may be desired by M/s WAPCOS Limited to whom this bank guarantee has been given.

Notwithstanding anything contained herein

i) Our liability under this guarantee shall not exceed Rs. \_\_\_\_\_ (Rupees \_\_\_\_\_ only);

ii) This bank guarantee shall be valid upto \_\_\_\_\_; and

iii) our liability to make payment shall arise and we are liable to pay the guaranteed amount or any part thereof under this guarantee, only and only if you serve upon us a written claim or demand in terms of the guarantee on or before \_\_\_\_\_ **(indicate a date twelve month after validity of Guarantee)**

Dated this \_\_\_\_\_ day of \_\_\_\_\_ at New Delhi.

## Annexure – II

### FORM OF ADVANCE PAYMENT GUARANTEE

WAPCOS Limited,  
76-C, Sector 18, Institutional Area  
Gurgaon, Haryana-122015

In consideration of WAPCOS LTD. (hereinafter referred to as “the Employer”) which expression shall, unless repugnant to the context or meaning thereof include its successors, administrators and assigns) having awarded to \_\_\_\_\_ (Contractor’s name) with its Registered/Head Office at \_\_\_\_\_ (hereinafter referred to as “the Contractor” which expression shall unless repugnant to the context or meaning thereof, include its successors, administrators, executors and assigns) a contract, by issue of Employer’s Notification of Award No. \_\_\_\_\_ dt. \_\_\_\_\_ and the same having been unequivocally accepted by the Contractor, resulting into a contract valued at Rs. \_\_\_\_\_ (Rupees \_\_\_\_\_ only) for \_\_\_\_\_ (hereinafter called “the contract”) and the Employer having agreed to make an advance payment to the Contractor for performance of the above Contract amounting to Rs.

\_\_\_\_\_ (Rupees \_\_\_\_\_ only) as an advance against bank guarantee to be furnished by the Contractor.

We, \_\_\_\_\_ (name & address of bank) having its Head Office at \_\_\_\_\_ (hereinafter referred to as “the Bank” which expression shall, unless repugnant to the context or meaning thereof, include its successors, administrators, executors and assigns) do hereby guarantee and undertake to pay the Employer immediately on demand any or, all monies payable by the Contractor to the extent of Rs. \_\_\_\_\_ (Rupees \_\_\_\_\_ only) as aforesaid at any time upto \_\_\_\_\_ without any demur, reservation, contest, recourse or protest and/or without any reference to the Contractor. Any such demand made by the Employer on the bank shall be conclusive and binding notwithstanding any difference between the Employer and the Contractor or any dispute pending before any Court, Tribunal, Arbitrator or any other authority. We agree that the Guarantee herein contained shall be irrevocable and shall continue to be enforceable till the Employer discharges this guarantee. We further agree that no change in the constitution of the Bank or of the Employer shall affect this guarantee.

The Employer shall have the fullest liberty without affecting in any way the liability of the Bank under this guarantee, from time to time, to vary the advance or to extend the time for performance of the Contract by the Contractor. The Employer shall have the fullest liberty without affecting this guarantee, to postpone from time to time the exercise of any powers vested in them or of any right which they might have against the Contractor and to exercise the same at any time in any manner, and either to enforce or to forbear to enforce any covenants, contained or implied, in the Contract between the Employer and the Contractor or any other course or remedy or security available to the Employer. The bank shall not be released of its obligations under these presents by any exercise by the Employer of its liberty with reference to the matters aforesaid or any of them or by reason of any other act or forbearance or other acts of omission or commission on the part of the Employer or any other indulgence shown by the Employer or by any other matter or thing whatsoever which under law would but for this provision, have the effect of relieving the Bank.

The bank also agrees that the Employer at its option shall be entitled to enforce this Guarantee against the Bank as a principal debtor, in the first instance without proceeding against the Contractor and notwithstanding any security or other guarantee that the Employer may have in relation to the Contractor's liabilities.

We the Said Bank do hereby declare that we have absolute and unconditional power to issue this guarantee in your favour under the Memorandum and Articles of Association or such other constitutional documents of the Bank and the undersigned have full power to execute this guarantee under the Power of Attorney/ Post Approval Authorization dated \_\_\_\_\_ of the bank granted to him / us by the Bank. We the said bank do hereby declare and undertake that your claim under the guarantee shall not be affected by any deficiency or other defect in the powers of the bank or its officials and the guarantee shall be deemed to have been issued as if the bank and its officials have all the powers and authorization to give this guarantee on behalf of the bank.

We the said bank does hereby certify the genuineness and appropriateness of the Stamp paper and stamp value used for issuing the guarantee. We the said bank does hereby declare and undertake that your claim under the guarantee shall not be affected by any deficiency or other defect in the stamp paper or its stamp value.

We the said bank do hereby declare that our payments hereunder shall be made to you , free and clear of and without and deduction, reduction on account of any reasons including any and all present and future taxes, levies, charges of withholding whatsoever imposed or collected with respect thereto.

Notwithstanding anything contained hereinabove our liability under this guarantee is limited to Rs. \_\_\_\_\_ (Rupees \_\_\_\_\_ only) and it shall remain in force upto and including \_\_\_\_\_ and shall be extended from time to time for such period (not exceeding one year), as may be desired by M/s \_\_\_\_\_ on whose behalf this bank guarantee has been given.

Notwithstanding anything contained herein

- i) Our liability under this guarantee shall not exceed R s . \_\_\_\_\_ (Rupees \_\_\_\_\_ Only);
- ii) This bank guarantee shall be valid upto \_\_\_\_\_ and
- iii) our liability to make payment shall arise and we are liable to pay the guaranteed amount or any part thereof under this guarantee, only and only if you serve upon us a written claim or demand in terms of the guarantee on or before \_\_\_\_\_ (indicate a date **twelve months after the validity of the guarantee**).

Dated this \_\_\_\_\_ day of \_\_\_\_\_ at New Delhi.

WITNESS

\_\_\_\_\_  
(Signature)

\_\_\_\_\_  
(Signature)

\_\_\_\_\_  
(Name)

\_\_\_\_\_  
(Name)

\_\_\_\_\_  
(Designation with bank stamp)

Attorney as Power of Attorney

\_\_\_\_\_  
(Signature)

No. \_\_\_\_\_ dt. \_\_\_\_\_

\_\_\_\_\_  
(Name)

\_\_\_\_\_

**ANNEXURE-III**  
**FORMAT FOR INDENTURE FOR SECURED ADVANCES**

THIS INDENTURE made the..... day of .....20..... BETWEEN .....  
(hereinafter called the Contractor which expression shall where the context so admits or implies be deemed to include his executors administrators and assigns) of the one part and the WAPCOS (hereinafter called the WAPCOS which expression shall where the context so admits or implies be deemed to include his successors in office and assigns) of the other part.

WHEREAS by an agreement dated .....(hereinafter called the said agreement) the Contractor has agreed AND WHEREAS the Contractor has applied to the WAPCOS that he may be allowed advances on the security of materials absolutely belonging to him and brought by him to the site of the works the subject of the said agreement for use in the construction of such of the works as he has undertaken to execute at rates fixed for the finished work (inclusive of the cost of materials and labour and other charges) AND WHEREAS the WAPCOS has agreed to advance to the Contractor the sum of Rupees ..... on the security of materials the quantities and other particulars of which are detailed in Accounts of Secured Advances attached to the Running Account Bill for the said works signed by the Contractor on .....and the WAPCOS has reserved to himself the option of making any further advance or advances on the security of other materials brought by the Contractor to the site of the said works. Now THIS INDENTURE WITNESSETH that in pursuance of the said agreement and in consideration of the sum of Rupees on or before the execution of these presents paid to the Contractor by the WAPCOS (the receipt whereof the Contractor doth hereby acknowledge) and of such further advances (if any) as may be made to him as aforesaid the Contractor doth hereby covenant and agree with the WAPCOS and declare as follows: -

- (1) That the said sum of Rupees.....so advanced by the WAPCOS to the Contractor as aforesaid and all or any further sum or sums advanced as aforesaid shall be employed by the Contractor in or towards expediting the execution of the said works and for no other purpose whatsoever.
- (2) That the materials detailed in the said Account of Secured Advances which have been offered to and accepted by the WAPCOS as security are absolutely the Contractor's own property and free from encumbrances of any kind and the contractor will not make any application for or receive a further advance on the security of materials which are not absolutely his own property and free from encumbrances of any kind and the Contractor indemnifies the WAPCOS against all claims to any materials in respect of which an advance has been made to him as aforesaid.
- (3) That the materials detailed in the said Account of Secured Advances and all other materials on the security of which any further advance or advances may hereafter be made as aforesaid (hereinafter called the said materials) shall be used by the Contractor solely in the execution of the said works in accordance with the directions of the

Divisional Officer .....

Division (hereinafter called the Divisional Officer) and in the term of the said agreement.

- (4) That the Contractor shall make at his own cost all necessary and adequate arrangements for the proper watch, safe custody and protection against all risks of the said materials and that until used in construction as aforesaid the said materials shall remain at the site of the said works in the Contractor's custody and on his own responsibility and shall at all times be open to inspection by the Divisional Officer or any officer authorized by him. In the event of the said materials or any part thereof being stolen, destroyed or damaged or becoming deteriorated in a greater degree than is due to reasonable use and wear thereof the Contractor will forthwith replace the same with other materials of like quality or repair and make good the same as required by the Divisional Officer.
- (5) That the said materials shall not on any account be removed from the site of the said works except with the written permission of the Divisional Officer or an officer authorized by him on that behalf.
- (6) That the advances shall be repayable in full when or before the Contractor receives payment from the WAPCOS of the price payable to him for the said works under the terms and provisions of the said agreement. Provided that if any intermediate payments are made to the Contractor on account of work done than on the occasion of each such payment the WAPCOS will be at liberty to make a recovery from the Contractor's bill for such payment by deducting there from the value of the said materials then actually used in the construction and in respect of which recovery has not been made previously, the value for this purpose being determined in respect of each description of materials at the rates at which the amounts of the advances made under these presents were calculated.
- (7) That if the Contractor shall at any time make any default in the performance or observance in any respect of any of the terms and provisions of the said agreement or of these presents the total amount of the advance or advances that may still be owing to the WAPCOS shall immediately on the happening of such default be repayable by the Contractor to the WAPCOS together with interest thereon at twelve per cent per annum from the date or respective dates of such advance or advances to the date of repayment and with all costs charges, damages and expenses incurred by the WAPCOS in or for the recovery thereof or the enforcement of this security or otherwise by reason of the default of the Contractor and the Contractor hereby covenants and agrees with the WAPCOS to repay and pay the same respectively to him accordingly.
- (8) That the Contractor hereby charges all the said materials with the repayment to the WAPCOS of the said sum of Rupees.....and any further sum or sums advanced as aforesaid and all costs charges, damages and expenses payable under these presents PROVIDED ALWAYS and it is hereby agreed and declared that notwithstanding anything in the said agreement and without prejudice to the powers contained therein if and whenever the covenant for payment and repayment herein before contained shall become enforceable and the money owing shall not be paid in accordance therewith the WAPCOS may at any time thereafter adopt all or any of the following courses as he may deem best :-



- (a) Size and utilize the said materials or any part thereof in the completion of the said works on behalf of the Contractor in accordance with the provisions in that behalf contained in the said agreement debiting the Contractor with the actual cost of effecting such completion and the amount due in respect of advances under these presents and crediting the Contractor with the value of work done as if he had carried it out in accordance with the said agreement and at the rates thereby provided. If the balance is against the Contractor he is to pay same to the WAPCOS on demand.
  - (b) Remove and sell by public auction the seized materials or any part thereof and out of the moneys arising from the sale retain all the sums aforesaid repayable or payable to the WAPCOS under these presents and pay over the surplus (if any) to the Contractor.
  - (c) Deduct all or any part of the moneys owing out of the security deposit or any sum due to the Contractor under the said agreement.
- (9) That except in the event of such default on the part of the Contractor as aforesaid interest on the said advance shall not be payable.
- (10) That in the event of any conflict between the provisions of these presents and the said agreement the provisions of these presents shall prevail and in the event of any dispute or difference arising over the construction or effect of these presents the settlement of which has not been herein before expressly provided for the same shall be finally resolved as per provisions of clause 25 of the contract.

In witness whereof the said .....and.....by the order and under the direction of the WAPCOS have hereunto set their respective hands the day and year first above written.

Signed, sealed and delivered by ..... the said contractor in the presence of .....

Signature .....

Witness Name.....

Address .....

Signed by.....

by the order and direction of the WAPCOS in the presence of Witness

Name.....

Address .....

Signed by.....

**ANNEXURE-IV**  
**FORMAT FOR SEEKING EXTENSION OF TIME**

1. Name of contractor
2. Name of work as given in the agreement
3. Agreement no
4. Estimated amount put tender
5. Date of commencement of work as per agreement
6. Period allowed for completion of work as per agreement
7. Date of completion stipulated in agreement
8. Period for which extension of time already given

letter no. and date	Extension granted	
	Months	Days
(a) 1st extension .....		
(b) 2nd extension .....		
(c) 3rd extension .....		
(d) 4th extension .....		
(e) Total extension previously given		

9. Reasons for which extension have been previously given
10. Period for which extension if applied for
11. Hindrances on account of which extension is applied for with dates on which hindrances occurred.

Signature of Contractor

Dated .....

**Annexure – V**  
**FORMAT FOR GUARANTEE BONDS / AFFIDAVIT FOR WORK**  
**(On Rs. 100 non- Judicial Stamp Paper)**  
**GUARANTEE TO BE EXECUTED BY THE CONTRACTOR FOR REMOVAL OF**  
**DEFECTS AFTER COMPLETION IN RESPECT OF WATER SUPPLY AND**  
**SANITARY INSTALLATIONS, ROCK WOOL INSULATION AND POLYURETHENE**  
**FOAM**

The agreement made this \_\_\_\_\_ day of \_\_\_\_\_ 20\_\_\_\_\_ between (Name of Contractor Firm)\_\_\_\_\_ (herein after called the GUARANTOR of the one part) and the WAPCOS LIMITED (hereinafter called the WAPCOS of the other part).

WHEREAS THIS agreement is supplementary to a contract. (Herein after called the Contract) dated \_\_\_\_\_ and made between the GUARANTOR OF THE ONE PART AND the WAPCOS of the other part, whereby the contractor interalia, under look to render the work in the said contract recited structurally stable workmanship and use of sound materials.

AND WHEREAS THE GUARANTOR agreed to give a guarantee to the effect that the said work will remain structurally stable and guarantee against faulty workmanship, finishing, manufacturing defects of materials and leakages etc.

NOW THE GUARANTOR hereby guarantee that work executed by him will remain structurally stable, for the minimum life of ten years, to be reckoned from the date of start of Defect Liability Period prescribed in the Contract.

The decision of the Engineer-in-charge with regard to nature and cause of defects shall be final. During the period of guarantee the guarantor shall make good all defects to the satisfaction of the Engineer in charge calling upon him to rectify the defects, failing which the work shall be got done by the WAPCOS by some other contractor at the guarantor's cost and risk. The decision of the Engineer in charge as to the cost payable by the Guarantor shall be final and binding.

That if the guarantor fails to make good all the defects, commits breach thereunder then the guarantor will indemnify the Principal and his successor against all loss, damage cost expense or otherwise which may be incurred by him by reason of any default on the part of the GUARANTOR in performance and observance of this supplementary agreement. As to the amount of loss and / or damage and / or cost incurred by the WAPCOS the decision of the Engineer-in-charge will be final and binding on the parties.

IN WITNESS WHEREOF those presents have been executed by the GUARANTOR \_\_\_\_\_ on behalf of ( Name of Contractor Firm) and \_\_\_\_\_ by for and on behalf of the WAPCOS LIMITED on the day, month and year first above written.

Signed sealed and delivered by GUARANTOR in presence of :

1. \_\_\_\_\_
2. \_\_\_\_\_

SIGNED FOR AND ON BEHALF OF THE WAPCOS LIMITED BY \_\_\_\_\_ in the presence of:

1. \_\_\_\_\_
2. \_\_\_\_\_

**Annexure – VI**  
**FORMAT FOR GUARANTEE BONDS FOR WATER PROOFING**  
**(On Rs. 100 non- Judicial Stamp Paper)**  
**GUARANTEE BOND TO BE EXECUTED BY THE CONTRACTOR FOR WATER**  
**PROOFING TREATMENT FOR BASEMENT / TERRACE / TOILETS**

The agreement made this \_\_\_\_\_ day of \_\_\_\_\_ 20\_\_\_\_\_ between (Name of Contractor Firm) \_\_\_\_\_ (herein after called the GUARANTOR of the one part) and the WAPCOS LIMITED (hereinafter called the WAPCOS of the other part).

WHEREAS THIS agreement is supplementary to a contract. (Herein after called the Contract) dated \_\_\_\_\_ and made between the GUARANTOR OF THE ONE PART AND the WAPCOS of the other part, whereby the contractor inter alia, undertook to render the structures in the said contract the work in the said contract recited completely water and leak proof.

THE GUARANTOR hereby guarantee that the water proofing treatment given by him will render the structures completely leak proof and the minimum life of such water proofing treatment shall be ten years to be reckoned from the date of start of Defect Liability Period prescribed in the Contract.

Provided that the guarantor will not be responsible for leakage caused by earthquake or structural defects. The decision of the Engineer in charge with regard to cause of leakage shall be final.

During the period of guarantee the guarantor shall make good all defects and in case of any defects being found render the structure water proof to the satisfaction of the Engineer in charge at his cost and shall commence the work for such rectification within seven days from the date of issue of notice from the Engineer in charge calling upon him to rectify the defects, failing which the work shall be got done by the WAPCOS through some other contractor at the guarantor's cost and risk. The decision of the Engineer in charge as to the cost payable by the Guarantor shall be final and binding.

That if the guarantor fails to execute the water proofing, or commits breach thereunder then the guarantor will indemnify the Principal and his successor against all loss, damage, cost of expenses or otherwise which may be incurred by him by reason of any of any default on the part of the GUARANTOR in performance and observance of this supplementary agreement. As to the amount of loss and / or cost incurred by the WAPCOS on the decision of the Engineer-in-charge will be final and binding on the parties.

IN WITNESS WHEREOF those presents have been executed by the GUARANTOR \_\_\_\_\_ on behalf of ( Name of Contractor Firm) and \_\_\_\_\_ by \_\_\_\_\_ for and on behalf of the WAPCOS LIMITED on the day, month and year first above written.

Signed sealed and delivered by GUARANTOR in presence of : 1. \_\_\_\_\_  
2. \_\_\_\_\_

SIGNED FOR AND ON BEHALF OF THE WAPCOS LIMITED BY \_\_\_\_\_ in the presence of :  
1. \_\_\_\_\_  
2. \_\_\_\_\_

**Annexure – VII**  
**FORMAT FOR GUARANTEE BONDS FOR ANTI-TERMITE TREATMENT**  
**(On Rs. 100 non- Judicial Stamp Paper)**  
**GUARANTEE BOND TO BE EXECUTED BY THE CONTRACTOR FOR ANTI-TERMITE**  
**TREATMENT**

The agreement made this \_\_\_\_\_ day of \_\_\_\_\_ 20\_\_\_\_\_ between (Name of Contractor Firm)\_\_\_\_(hereinafter called the GUARANTOR of the one part) and the WAPCOS LIMITED (hereinafter called the WAPCOS of the other part).

WHEREAS THIS agreement is supplementary to a contract. (Herein after called the Contract) dated\_\_\_\_\_and made between the GUARANTOR OF THE ONE PART AND the WAPCOS of the other part, whereby the contractor inter alia, undertook to render the wooden work in the said contract recited completely Termite proof.

THE GUARANTOR hereby guarantee that the anti-termite treatment given by him will render the wooden works completely Termite proof and the minimum life of such Anti-Termite treatment shall be five years to be reckoned from the date completion of work as period prescribed in the contract.

During the period of guarantee the guarantor shall make good all defects and in case of any defects being found render the wooden works termite proof to the satisfaction of the Engineer in charge at his cost and shall commence the work for such rectification within seven days from the date of issue of notice from the Engineer in charge calling upon him to rectify the defects, failing which the work shall be got done by the WAPCOS through some other contractor at the guarantor's cost and risk. The decision of the Engineer in charge as to the cost payable by the Guarantor shall be final and binding.

That if the guarantor fails to execute the Anti-termite works, or commits breach thereunder then the guarantor will indemnify the Principal and his successor against all loss, damage, cost of expenses or otherwise which may be incurred by him by reason of any of any default on the part of the GUARANTOR in performance and observance of this supplementary agreement . As to the amount of loss and / or cost incurred by the WAPCOS on the decision of the Engineer-in-charge will be final and binding on the parties.

IN WITNES WHEREOF those presents have been executed by the GUARANTOR \_\_\_\_\_on behalf of ( Name of Contractor Firm) and\_\_\_\_\_by for and on behalf of the WAPCOS LIMITED on the day, month and year first above written.

Signed sealed and delivered by GUARANTOR in presence of : 1. \_\_\_\_\_  
2. \_\_\_\_\_

SIGNED FOR AND ON BEHALF OF THE WAPCOS LIMITED BY \_\_\_\_\_in the presence of :  
1. \_\_\_\_\_  
2. \_\_\_\_\_

## ANNEXURE – VIII SAFETY CODES

1. Suitable scaffolds should be provided for workmen for all works that cannot safely be done from the ground, or from solid construction except such short period work as can be done safely from ladders. When a ladder is used, an extra mazdoor shall be engaged for holding the ladder and if the ladder is used for carrying materials as well suitable footholds and hand-hold shall be provided on the ladder and the ladder shall be given an inclination not steeper than  $\frac{1}{4}$  to  $1\frac{1}{4}$  horizontal and 1 vertical).
2. Scaffolding of staging more than 3.6 m (12ft.) above the ground or floor, swung or suspended from an overhead support or erected with stationary support shall have a guard rail properly attached or bolted, braced and otherwise secured at least 90 cm. (3ft.) high above the floor or platform of such scaffolding or staging and extending along the entire length of the outside and ends thereof with only such opening as may be necessary for the delivery of materials. Such scaffolding or staging shall be so fastened as to prevent it from swaying from the building or structure.
3. Working platforms, gangways and stairways should be so constructed that they should not sag unduly or unequally, and if the height of the platform or the gangway or the stairway is more than 3.6 m (12ft.) above ground level or floor level, they should be closely boarded, should have adequate width and should be suitably fastened as described in (2) above.
4. Every opening in the floor of a building or in a working platform shall be provided with suitable means to prevent the fall of person or materials by providing suitable fencing or railing whose minimum height shall be 90 cm. (3ft.).
5. Safe means of access shall be provided to all working platforms and other working places. Every ladder shall be securely fixed. No portable single ladder shall be over 9m. (30ft.) in length while the width between side rails in rung ladder shall in no case be less than 29 cm. (11½") for ladder upto and including 3 m. (10 ft.) in length. For longer ladders, this width should be increased at least  $\frac{1}{4}$ " for each additional 30 cm. (1 foot) of length. Uniform step spacing of not more than 30 cm shall be kept. Adequate precautions shall be taken to prevent danger from electrical equipment. No materials on any of the sites or work shall be so stacked or placed as to cause danger or inconvenience to any person or the public. The contractor shall provide all necessary fencing and lights to protect the public from accident and shall be bound to bear the expenses of defence of every suit, action or other proceedings at law that may be brought by any person for injury sustained owing to neglect of the above precautions and to pay any damages and cost which may be awarded in any such suit; action or proceedings to any such person or which may, with the consent of the contractor, be paid to compensate any claim by any such person
6. (a) Excavation and Trenching - All trenches 1.2 m. (4ft.) or more in depth, shall at all times be supplied with at least one ladder for each 30 m. (100ft.) in length or fraction thereof, Ladder shall extend from bottom of the trench to at least 90 cm. (3ft.) above the surface of the ground. The side of the trenches which are 1.5 m. (5ft.) or more in depth shall be stepped back to give suitable slope or securely held by timber bracing, so as to avoid the danger of sides collapsing. The excavated materials

shall not be placed within 1.5 m. (5ft.) of the edges of the trench or half of the depth of the trench whichever is more. Cutting shall be done from top to bottom. Under no circumstances, undermining or undercutting shall be done.

(b) Safety Measures for digging bore holes:-

- i. If the bore well is successful, it should be safely capped to avoid caving and collapse of the bore well. The failed and the abandoned ones should be completely refilled to avoid caving and collapse;
- ii. During drilling, Sign boards should be erected near the site with the address of the drilling contractor and the Engineer in-charge of the work;
- iii. Suitable fencing should be erected around the well during the drilling and after the installation of the rig on the point of drilling, flags shall be put 50m all round the point of drilling to avoid entry of people;
- iv. After drilling the borewell, a cement platform (0.50m x 0.50m x 1.20m) 0.60m above ground level and 0.60m below ground level should be constructed around the well casing;
- v. After the completion of the borewell, the contractor should cap the bore well properly by welding steel plate, cover the bore well with the drilled wet soil and fix thorny shrubs over the soil. This should be done even while repairing the pump;
- vi. After the borewell is drilled the entire site should be brought to the ground level.

7. Demolition - Before any demolition work is commenced and also during the progress of the work,

- (i) All roads and open areas adjacent to the work site shall either be closed or suitably protected.
- (ii) No electric cable or apparatus which is liable to be a source of danger or a cable or apparatus used by the operator shall remain electrically charged.
- (iii) All practical steps shall be taken to prevent danger to persons employed from risk of fire or explosion or flooding. No floor, roof or other part of the building shall be so overloaded with debris or materials as to render it unsafe.

8. All necessary personal safety equipment as considered adequate by the Engineer-in-Charge should be kept available for the use of the person employed on the site and maintained in a condition suitable for immediate use, and the contractor should take adequate steps to ensure proper use of equipment by those concerned. The following safety equipment shall invariably be provided.

- (i) Workers employed on mixing asphaltic materials, cement and lime mortars shall be provided with protective footwear and protective goggles.
- (ii) Those engaged in white washing and mixing or stacking of cement bags or any material which is injurious to the eyes, shall be provided with protective goggles.
- (iii) Those engaged in welding works shall be provided with welder's protective eye shields.
- (iv) Stone breaker shall be provided with protective goggles and protective clothing and seated at sufficiently safe intervals.
- (v) When workers are employed in sewers and manholes, which are in active use, the contractors shall ensure that the manhole covers are opened and ventilated atleast for an hour before the workers are allowed to get into the manholes, and

the manholes so opened shall be cordoned off with suitable railing and provided with warning signals or boards to prevent accident to the public. In addition, the contractor shall ensure that the following safety measure are adhered to :-

- (a) Entry for workers into the line shall not be allowed except under supervision of the JE or any other higher officer.
- (b) At least 5 to 6 manholes upstream and downstream should be kept open for at least 2 to 3 hours before any man is allowed to enter into the manhole for working inside.
- (c) Before entry, presence of Toxic gases should be tested by inserting wet lead acetate paper which changes colour in the presence of such gases and gives indication of their presence.
- (d) Presence of Oxygen should be verified by lowering a detector lamp into the manhole. In case, no Oxygen is found inside the sewer line, workers should be sent only with Oxygen kit.
- (e) Safety belt with rope should be provided to the workers. While working inside the manholes, such rope should be handled by two men standing outside to enable him to be pulled out during emergency.
- (f) The area should be barricaded or cordoned off by suitable means to avoid mishaps of any kind. Proper warning signs should be displayed for the safety of the public whenever cleaning works are undertaken during night or day.
- (g) No smoking or open flames shall be allowed near the blocked manhole being cleaned.
- (h) The malba obtained on account of cleaning of blocked manholes and sewer lines should be immediately removed to avoid accidents on account of slippery nature of the malba.
- (i) Workers should not be allowed to work inside the manhole continuously. He should be given rest intermittently. The Engineer-in-Charge may decide the time up to which a worker may be allowed to work continuously inside the manhole.
- (j) Gas masks with Oxygen Cylinder should be kept at site for use in emergency.
- (k) Air-blowers should be used for flow of fresh air through the manholes. Whenever called for, portable air blowers are recommended for ventilating the manholes. The Motors for these shall be vapour proof and of totally enclosed type. Non sparking gas engines also could be used but they should be placed at least 2 metres away from the opening and on the leeward side protected from wind so that they will not be a source of friction on any inflammable gas that might be present.
- (l) The workers engaged for cleaning the manholes/sewers should be properly trained before allowing to work in the manhole.
- (m) The workers shall be provided with Gumboots or non-sparking shoes bump helmets and gloves non sparking tools safety lights and gas masks and portable air blowers (when necessary). They must be supplied with barrier cream for anointing the limbs before working inside the sewer lines.
- (n) Workmen descending a manhole shall try each ladder stop or rung carefully before putting his full weight on it to guard against insecure fastening due to corrosion of the rung fixed to manhole well.
- (o) If a man has received a physical injury, he should be brought out of the sewer immediately and adequate medical aid should be provided to him.



- (p) The extent to which these precautions are to be taken depend on individual situation but the decision of the Engineer-in-Charge regarding the steps to be taken in this regard in an individual case will be final.

The Contractor shall not employ men and women below the age of 18 years on the work of painting with products containing lead in any form. Wherever men above the age of 18 are employed on the work of lead painting, the following precaution should be taken:-

- (a) No paint containing lead or lead products shall be used except in the form of paste or readymade paint.
  - (b) Suitable face masks should be supplied for use by the workers when paint is applied in the form of spray or a surface having lead paint is dry rubbed and scrapped.
  - (c) Overalls shall be supplied by the contractors to the workmen and adequate facilities shall be provided to enable the working painters to wash during and on the cessation of work.
9. The Contractor shall not employ women and men below the age of 18 on the work of painting with product containing lead in any form, wherever men above the age of 18 are employed on the work of lead painting, the following principles must be observed for such use :
- (i) White lead, sulphate of lead or product containing these pigment, shall not be used in painting operation except in the form of pastes or paint ready for use.
  - (ii) Measures shall be taken, wherever required in order to prevent danger arising from the application of a paint in the form of spray.
  - (iii) Measures shall be taken, wherever practicable, to prevent danger arising out of from dust caused by dry rubbing down and scraping.
  - (iv) Adequate facilities shall be provided to enable working painters to wash during and on cessation of work.
  - (v) Overall shall be worn by working painters during the whole of working period.
  - (vi) Suitable arrangement shall be made to prevent clothing put off during working hours being spoiled by painting materials.
  - (vii) Cases of lead poisoning and suspected lead poisoning shall be notified and shall be subsequently verified by medical man.
  - (viii) WAPCOS may require, when necessary medical examination of workers.
  - (ix) Instructions with regard to special hygienic precautions to be taken in the painting trade shall be distributed to working painters.
10. When the work is done near any place where there is risk of drowning, all necessary equipment's should be provided and kept ready for use and all necessary steps taken for prompt rescue of any person in danger and adequate provision, should be made for prompt first aid treatment of all injuries likely to be obtained during the course of the work.
11. Use of hoisting machines and tackle including their attachments, anchorage and supports shall conform to the following standards or conditions :-
- (i) (a) These shall be of good mechanical construction, sound materials and adequate strength and free from patent defects and shall be kept repaired and in good working order.

- (b) Every rope used in hoisting or lowering materials or as a means of suspension shall be of durable quality and adequate strength, and free from patent defects.
- (ii) Every crane driver or hoisting appliance operator, shall be properly qualified and no person under the age of 21 years should be in charge of any hoisting machine including any scaffolding winch or give signals to operator.
- (iii) In case of every hoisting machine and of every chain ring hook, shackle swivel and pulley block used in hoisting or as means of suspension, the safe working load shall be ascertained by adequate means. Every hoisting machine and all gear referred to above shall be plainly marked with the safe working load. In case of a hoisting machine having a variable safe working load each safe working load and the condition under which it is applicable shall be clearly indicated. No part of any machine or any gear referred to above in this paragraph shall be loaded beyond the safe working load except for the purpose of testing.
- (iv) In case of departmental machines, the safe working load shall be notified by the Electrical Engineer-in-Charge. As regards contractor's machines the contractors shall notify the safe working load of the machine to the Engineer-in-Charge whenever he brings any machinery to site of work and get it verified by the Electrical Engineer concerned.
12. Motors, gearing, transmission, electric wiring and other dangerous parts of hoisting appliances should be provided with efficient safeguards. Hoisting appliances should be provided with such means as will reduce to the minimum the risk of accidental descent of the load. Adequate precautions should be taken to reduce to the minimum the risk of any part of a suspended load becoming accidentally displaced. When workers are employed on electrical installations which are already energized, insulating mats, wearing apparel, such as gloves, sleeves and boots as may be necessary should be provided. The worker should not wear any rings, watches and carry keys or other materials which are good conductors of electricity.
13. All scaffolds, ladders and other safety devices mentioned or described herein shall be maintained in safe condition and no scaffold, ladder or equipment shall be altered or removed while it is in use. Adequate washing facilities should be provided at or near places of work.
14. These safety provisions should be brought to the notice of all concerned by display on a notice board at a prominent place at work spot. The person responsible for compliance of the safety code shall be named therein by the contractor.
15. To ensure effective enforcement of the rules and regulations relating to safety precautions the arrangements made by the contractor shall be open to inspection by the Labour Officer or Engineer-in-Charge of the department or their representatives.
16. Notwithstanding the above clauses from (1) to (15), there is nothing in these to exempt the contractor from the operations of any other Act or Rule in force in the Republic of India.

**ANNEXURE – IX**  
**MODEL RULES FOR THE PROTECTION OF HEALTH AND SANITARY**  
**ARRANGEMENTS FOR WORKERS EMPLOYED BY CONTRACTORS**

**1. APPLICATION**

These rules shall apply to all buildings and construction works in which twenty or more workers are ordinarily employed or are proposed to be employed in any day during the period during which the contract work is in progress.

**2. DEFINITION**

Work place means a place where twenty or more workers are ordinarily employed in connection with construction work on any day during the period during which the contract work is in progress.

**3. FIRST-AID FACILITIES**

(i) At every work place, there shall be provided and maintained, so as to be easily accessible during working hours, first-aid boxes at the rate of not less than one box for 150 contract labour or part thereof ordinarily employed.

(ii) The first-aid box shall be distinctly marked with a red cross on white back ground and shall contain the following equipment:-

(a) For work places in which the number of contract labour employed does not exceed 50- Each first-aid box shall contain the following equipments :-

- 1) 6 small sterilised dressings.
- 2) 3 medium size sterilised dressings.
- 3) 3 large size sterilised dressings.
- 4) 3 large sterilised burn dressings.
- 5) 1 (30 ml.) bottle containing a two per cent alcoholic solution of iodine.
- 6) 1 (30 ml.) bottle containing salvolatile having the dose and mode of administration indicated on the label.
- 7) 1 snakebite lancet.
- 8) 1 (30 gms.) bottle of potassium permanganate crystals.
- 9) 1 pair scissors.
- 10) 1 copy of the first-aid leaflet issued by the Director General, Factory Advice Service and Labour Institutes, Government of India.
- 11) 1 bottle containing 100 tablets (each of 5 gms.) of aspirin.
- 12) Ointment for burns.
- 13) A bottle of suitable surgical antiseptic solution

(b) For work places in which the number of contract labour exceed 50. Each first-aid box shall contain the following equipments.

- 1) 12 small sterilised dressings.
- 2) 6 medium size sterilised dressings.
- 3) 6 large size sterilised dressings.

- 4) 6 large size sterilised burn dressings.
- 5) 6 (15 gms.) packets sterilised cotton wool.
- 6) 6.1 (60 ml.) bottle containing a two per cent alcoholic solution iodine.
- 7) 1 (60 ml.) bottle containing salvolatile having the dose and mode of administration indicated on the label
- 8) 1 roll of adhesive plaster.
- 9) 1 snake bite lancet.
- 10) 1 (30 gms.) bottle of potassium permanganate crystals.
- 11) 1 pair scissors.
- 12) 1 copy of the first-aid leaflet issued by the Director General Factory Advice Service and Labour Institutes / Government of India.
- 13) A bottle containing 100 tablets (each of 5 gms.) of aspirin.
- 14) Ointment for burns.
- 15) A bottle of suitable surgical antiseptic solution.

- (iii) Adequate arrangements shall be made for immediate recoument of the equipment when necessary
- (iv) Nothing except the prescribed contents shall be kept in the First-aid box.
- (v) The first-aid box shall be kept in charge of a responsible person who shall always be readily available during the working hours of the work place.
- (vi) A person in charge of the First-aid box shall be a person trained in First-aid treatment in the work places where the number of contract labour employed is 150 or more.
- (vii) In work places where the number of contract labour employed is 500 or more and hospital facilities are not available within easy distance from the works. First-aid posts shall be established and run by a trained compounder. The compounder shall be on duty and shall be available at all hours when the workers are at work.
- (viii) Where work places are situated in places which are not towns or cities, a suitable motor transport shall be kept readily available to carry injured person or person suddenly taken ill to the nearest hospital.

#### 4. DRINKING WATER

- (i) In every work place, there shall be provided and maintained at suitable places, easily accessible to labour, a sufficient supply of cold water fit for drinking.
- (ii) Where drinking water is obtained from an intermittent public water supply, each work place shall be provided with storage where such drinking water shall be stored.
- (iii) Every water supply or storage shall be at a distance of not less than 50 feet from any latrine drain or other source of pollution. Where water has to be drawn from an existing well which is within such proximity of latrine, drain or any other source of pollution, the well shall be properly chlorinated before water is drawn from it for drinking. All such wells shall be entirely closed in and be provided with a trap door which shall be dust and waterproof.
- (iv) A reliable pump shall be fitted to each covered well, the trap door shall be kept locked and opened only for cleaning or inspection which shall be done at least once a month.

**5. WASHING FACILITIES**

- (i) In every work place adequate and suitable facilities for washing shall be provided and maintained for the use of contract labour employed therein.
- (ii) Separate and adequate cleaning facilities shall be provided for the use of male and female workers.
- (iii) Such facilities shall be conveniently accessible and shall be kept in clean and hygienic condition.

**6. LATRINES AND URINALS**

- (i) Latrines shall be provided in every work place on the following scale namely :-
  - (a) Where female are employed, there shall be at least one latrine for every 25 females.
  - (b) Where males are employed, there shall be at least one latrine for every 25 males. Provided that, where the number of males or females exceeds 100, it shall be sufficient if there is one latrine for 25 males or females as the case may be upto the first 100, and one for every 50 thereafter.
- (ii) Every latrine shall be under cover and so partitioned off as to secure privacy, and shall have a proper door and fastenings.
- (iii) Construction of latrines: The inside walls shall be constructed of masonry or some suitable heat-resisting nonabsorbent materials and shall be cement washed inside and outside at least once a year, Latrines shall not be of a standard lower than borehole system.
- (iv) (a) Where workers of both sexes are employed, there shall be displayed outside each block of latrine and urinal, a notice in the language understood by the majority of the workers "For Men only" or "For Women Only" as the case may be.  
(b) The notice shall also bear the figure of a man or of a woman, as the case may be.
- (v) There shall be at least one urinal for male workers upto 50 and one for female workers upto fifty employed at a time, provided that where the number of male or female workmen, as the case may be exceeds 500, it shall be sufficient if there is one urinal for every 50 males or females upto the first 500 and one for every 100 or part thereafter.
- (vi) (a) The latrines and urinals shall be adequately lighted and shall be maintained in a clean and sanitary condition at all times.  
(b) Latrines and urinals other than those connected with a flush sewage system shall comply with the requirements of the Public Health Authorities.
- (vii) Water shall be provided by means of tap or otherwise so as to be conveniently accessible in or near the latrines and urinals.
- (viii) Disposal of excreta: - Unless otherwise arranged for by the local sanitary authority, arrangements for proper disposal of excreta by incineration at the work place shall be made by means of a suitable incinerator. Alternately excreta may be disposed of by putting a layer of night soil at the bottom of a pucca tank prepared for the purpose and covering it with a 15 cm. layer of waste or refuse and then covering it with a layer of earth for a fortnight (when it will turn to manure).
- (ix) The contractor shall at his own expense, carry out all instructions issued to him by

the Engineer-in-Charge to effect proper disposal of night soil and other conservancy work in respect of the contractor's workmen or employees on the site. The contractor shall be responsible for payment of any charges which may be levied by Municipal or Cantonment Authority for execution of such on his behalf.

#### **7. PROVISION OF SHELTER DURING REST**

At every place there shall be provided, free of cost, four suitable sheds, two for meals and the other two for rest separately for the use of men and women labour. The height of each shelter shall not be less than 3 metres (10 ft.) from the floor level to the lowest part of the roof. These shall be kept clean and the space provided shall be on the basis of 0.6 sqm (6 sft) per head.

Provided that the Engineer-in-Charge may permit subject to his satisfaction, a portion of the building under construction or other alternative accommodation to be used for the purpose.

#### **8. CRECHES**

(i) At every work place, at which 20 or more women worker are ordinarily employed, there shall be provided two rooms of reasonable dimensions for the use of their children under the age of six years. One room shall be used as a play room for the children and the other as their bedroom. The rooms shall be constructed with specifications as per clause 19H

(ii) a,b & c.

(ii) The rooms shall be provided with suitable and sufficient openings for light and ventilation. There shall be adequate provision of sweepers to keep the places clean.

(iii) The contractor shall supply adequate number of toys and games in the play room and sufficient number of cots and beddings in the bed room.

(iv) The contractor shall provide one ayaa to look after the children in the creche when the number of women workers does not exceed 50 and two when the number of women workers exceed 50.

(v) The use of the rooms earmarked as creches shall be restricted to children, their attendants and mothers of the children.

#### **9. CANTEENS**

(i) In every work place where the work regarding the employment of contract labour is likely to continue for six months and where in contract labour numbering one hundred or more are ordinarily employed, an adequate canteen shall be provided by the contractor for the use of such contract labour.

(ii) The canteen shall be maintained by the contractor in an efficient manner.

(iii) The canteen shall consist of at least a dining hall, kitchen, and storeroom, pantry and washing places separately for workers and utensils.

(iv) The canteen shall be sufficiently lighted at all times when any person has access to it.

(v) The floor shall be made of smooth and impervious materials and inside walls shall be lime-washed or colour washed at least once in each year.

Provided that the inside walls of the kitchen shall be lime-washed every four months.

- (vi) The premises of the canteen shall be maintained in a clean and sanitary condition.
- (vii) Waste water shall be carried away in suitable covered drains and shall not be allowed to accumulate so as to cause a nuisance.
- (viii) Suitable arrangements shall be made for the collection and disposal of garbage.
- (ix) The dining hall shall accommodate at a time 30 per cent of the contract labour working at a time.
- (x) The floor area of the dining hall, excluding the area occupied by the service counter and any furniture except tables and chairs shall not be less than one square metre (10 sft) per diner to be accommodated as prescribed in sub-Rule 9.
- (xi) (a) A portion of the dining hall and service counter shall be partitioned off and reserved for women workers in proportion to their number.  
(b) Washing places for women shall be separate and screened to secure privacy.
- (xii) Sufficient tables stools, chair or benches shall be available for the number of diners to be accommodated as prescribed in sub-Rule 9.
- (xiii) (a) 1. There shall be provided and maintained sufficient utensils crockery, furniture and any other equipment's necessary for the efficient running of the canteen.  
2. The furniture utensils and other equipment shall be maintained in a clean and hygienic condition.  
(b) 1. Suitable clean clothes for the employees serving in the canteen shall be provided and maintained.  
2. A service counter, if provided, shall have top of smooth and impervious material.  
3. Suitable facilities including an adequate supply of hot water shall be provided for the cleaning of utensils and equipments.
- (xiv) The food stuffs and other items to be served in the canteen shall be in conformity with the normal habits of the contract labour.
- (xv) The charges for food stuffs, beverages and any other items served in the canteen shall be based on 'No profit, No loss' and shall be conspicuously displayed in the canteen.
- (xvi) In arriving at the price of foodstuffs, and other article served in the canteen, the following items shall not be taken into consideration as expenditure namely:-
  - (a) The rent of land and building.
  - (b) The depreciation and maintenance charges for the building and equipment provided for the canteen.
  - (c) The cost of purchase, repairs and replacement of equipment including furniture, crockery, cutlery and utensils.
  - (d) The water charges and other charges incurred for lighting and ventilation
  - (e) The interest and amounts spent on the provision and maintenance of equipment provided for the canteen.

(xvii) The accounts pertaining to the canteen shall be audited once every 12 months by registered accountants and auditors.

**10. ANTI-MALARIAL PRECAUTIONS**

The contractor shall at his own expense, conform to all anti-malarial instructions given to him by the Engineer-in-Charge including the filling up of any borrow pits which may have been dug by him.

**11. The above rules shall be incorporated in the contracts and in notices inviting tenders and shall form an integral part of the contracts.**

**12. AMENDMENTS**

Government may, from time to time, add to or amend these rules and issue directions - it may consider necessary for the purpose of removing any difficulty which may arise in the administration thereof.



## ANNEXURE-X CONTRACTOR'S LABOUR REGULATIONS

### 1. SHORT TITLE

These regulations may be called the C.P.W.D./PWD (DA) Contractors Labour Regulations.

### 2. DEFINITIONS

- (i) Workman means any person employed by C.P.W.D./PWD (DA) or its contractor directly or indirectly through a subcontractor with or without the knowledge of the Central Public Works Department/PWD (DA) to do any skilled, semiskilled or unskilled manual, supervisory, technical or clerical work for hire or reward, whether the terms of employment are expressed or implied but does not include any person :-
- (a) Who is employed mainly in a managerial or administrative capacity : or
  - (b) Who, being employed in a supervisory capacity draws wages exceeding five hundred rupees per mensem or exercises either by the nature of the duties attached to the office or by reason of powers vested in him, functions mainly of managerial nature: or
  - (c) Who is an out worker, that is to say, person to whom any article or materials are given out by or on behalf of the principal employers to be made up cleaned, washed, altered, ornamental finished, repaired adopted or otherwise processed for sale for the purpose of the trade or business of the principal employers and the process is to be carried out either in the home of the out worker or in some other premises, not being premises under the control and management of the principal employer.

No person below the age of 14 years shall be employed to act as a workman.

- (ii) Fair Wages means wages whether for time or piece work fixed and notified under the provisions of the Minimum Wages Act from time to time.
  - (iii) Contractors shall include every person who undertakes to produce a given result other than a mere supply of goods or articles of manufacture through contract labour or who supplies contract labour for any work and includes a subcontractor.
  - (iv) Wages shall have the same meaning as defined in the Payment of Wages Act.
3. (i) Normally working hours of an adult employee should not exceed 9 hours a day. The
- (ii) When an adult worker is made to work for more than 9 hours on any day or for more than 48 hours in any week, he shall be paid over time for the extra hours put in by him at double the ordinary rate of wages.
  - (iii) (a) Every worker shall be given a weekly holiday normally on a Sunday, in provisions of the Minimum Wages (Central) Rules 1960 as amended from time to time irrespective of whether such worker is governed by the Minimum Wages Act or not.
  - (b) Where the minimum wages prescribed by the Government under the Minimum Wages Act are not inclusive of the wages for the weekly day of rest, the worker shall be entitled to rest day wages at the rate applicable to the next preceding day, provided he has worked under the same contractor for a continuous period of not

less than 6 days.

- (c) Where a contractor is permitted by the Engineer-in-Charge to allow a worker to work on a normal weekly holiday, he shall grant a substituted holiday to him for the whole day on one of the five days immediately before or after the normal weekly holiday and pay wages to such worker for the work performed on the normal weekly holiday at overtime rate.

#### 4. DISPLAY OF NOTICE REGARDING WAGES ETC.

The contractor shall before he commences his work on contract, display and correctly maintain and continue to display and correctly maintain in a clear and legible condition in conspicuous places on the work, notices in English and in the local Indian languages spoken by the majority of the workers giving the minimum rates of wages fixed under Minimum Wages Act, the actual wages being paid, the hours of work for which such wage are earned, wages periods, dates of payments of wages and other relevant information as per Appendix 'III'.

#### 5. PAYMENT OF WAGES

- (i) The contractor shall fix wage periods in respect of which wages shall be payable. (ii) No wage period shall exceed one month.
- (iii) The wages of every person employed as contract labour in an establishment or by a contractor where less than one thousand such persons are employed shall be paid before the expiry of seventh day and in other cases before the expiry of tenth day after the last day of the wage period in respect of which the wages are payable.
- (iv) Where the employment of any worker is terminated by or on behalf of the contractor the wages earned by him shall be paid before the expiry of the second working day from the date on which his employment is terminated.
- (v) All payment of wages shall be made on a working day at the work premises and during the working time and on a date notified in advance and in case the work is completed before the expiry of the wage period, final payment shall be made within 48 hours of the last working day.
- (vi) Wages due to every worker shall be paid to him direct by contractor through Bank or ECS or online transfer to his bank account.
- (vii) All wages shall be paid through Bank or ECS or online transfer.
- (viii) Wages shall be paid without any deductions of any kind except those specified by the Central Government by general or special order in this behalf or permissible under the Payment of Wages Act 1956.
- (ix) A notice showing the wages period and the place and time of disbursement of wages shall be displayed at the place of work and a copy sent by the contractor to the Engineer-in- Charge under acknowledgment.
- (x) It shall be the duty of the contractor to ensure the disbursement of wages through bank account of labour.
- (xi) The contractor shall obtain from the Junior Engineer or any other authorized representative of the Engineer- in-Charge as the case may be, a certificate under his signature at the end of the entries in the "Register of Wages" or the "Wage-cum-Muster Roll" as the case may be in the following form:-
- (xii) "Certified that the amount shown in column No ..... has been paid to the workman concerned through bank account of labour on ..... at ....."

## 6. FINES AND DEDUCTIONS WHICH MAY BE MADE FROM WAGES

- (i) The wages of a worker shall be paid to him without any deduction of any kind except the following:-
  - (a) Fines
  - (b) Deductions for absence from duty i.e. from the place or the places where by the terms of his employment he is required to work. The amount of deduction shall be in proportion to the period for which he was absent.
  - (c) Deduction for damage to or loss of goods expressly entrusted to the employed person for custody or for loss of money or any other deduction which he is required to account, where such damage or loss is directly attributable to his neglect or default.
  - (d) Deduction for recovery of advances or for adjustment of overpayment of wages, advances granted shall be entered in a register.
  - (e) Any other deduction which the Central Government may from time to time allow.
- (ii) No fines should be imposed on any worker save in respect of such acts and omissions on his part as have been approved of by the Chief Labour Commissioner.  
Note :- An approved list of Acts and Omissions for which fines can be imposed is enclosed at Appendix-X
- (iii) No fine shall be imposed on a worker and no deduction for damage or loss shall be made from his wages until the worker has been given an opportunity of showing cause against such fines or deductions.
- (iv) The total amount of fine which may be imposed in any one wage period on a worker shall not exceed an amount equal to three paise in a rupee of the total wages, payable to him in respect of that wage period.
- (v) No fine imposed on any worker shall be recovered from him by instalment, or after the expiry of sixty days from the date on which it was imposed.
- (vi) Every fine shall be deemed to have been imposed on the day of the act or omission in respect of which it was imposed.

## 7. LABOUR RECORDS

- (i) The contractor shall maintain a Register of persons employed on work on contract in Form XIII of the CL (R&A) Central Rules 1971 (Appendix IV)
- (ii) The contractor shall maintain a Muster Roll register in respect of all workmen employed by him on the work under Contract in Form XVI of the CL (R&A) Rules 1971 (Appendix V).
- (iii) The contractor shall maintain a Wage Register in respect of all workmen employed by him on the work under contract in Form XVII of the CL (R&A) Rules 1971 (Appendix VI).
- (iv) Register of accident - The contractor shall maintain a register of accidents in such form as may be convenient at the work place but the same shall include the following particulars:
  - (a) Full particulars of the labourers who met with accident.
  - (b) Rate of Wages.
  - (c) Sex
  - (d) Age
  - (e) Nature of accident and cause of accident.

- (f) Time and date of accident.
  - (g) Date and time when admitted in Hospital,
  - (h) Date of discharge from the Hospital.
  - (i) Period of treatment and result of treatment.
  - (j) Percentage of loss of earning capacity and disability as assessed by Medical Officer.
  - (k) Claim required to be paid under Workmen's Compensation Act.
  - (l) Date of payment of compensation.
  - (m) Amount paid with details of the person to whom the same was paid.
  - (n) Authority by whom the compensation was assessed.
  - (o) Remarks
- (v) The contractor shall maintain a Register of Fines in the Form XII of the CL (R&A) Rules 1971 (Appendix-XI) The contractor shall display in a good condition and in a conspicuous place of work the approved list of acts and omissions for which fines can be imposed (Appendix-X)
  - (vi) The contractor shall maintain a Register of deductions for damage or loss in Form XX of the CL (R&A) Rules 1971 (Appendix-XII)
  - (vii) The contractor shall maintain a Register of Advances in Form XXIII of the CL (R&A) Rules 1971 (Appendix-XIII)
  - (viii) The contractor shall maintain a Register of Overtime in Form XXIII of the CL (R&A) Rules 1971 (Appendix-XIV)

#### **6. ATTENDANCE CARD-CUM-WAGE SLIP**

- (i) The contractor shall issue an Attendance card-cum-wage slip to each workman employed by him in the specimen form at (Appendix-VII)
- (ii) The card shall be valid for each wage period.
- (iii) The contractor shall mark the attendance of each workman on the card twice each day, once at the commencement of the day and again after the rest interval, before he actually starts work.
- (iv) The card shall remain in possession of the worker during the wage period under reference.
- (v) The contractor shall complete the wage slip portion on the reverse of the card at least a day prior to the disbursement of wages in respect of the wage period under reference.
- (vi) The contractor shall obtain the signature or thumb impression of the worker on the wage slip at the time of disbursement of wages and retain the card with himself.

#### **9. EMPLOYMENT CARD**

The contractor shall issue an Employment Card in Form XIV of the CL (R&A) Central Rules 1971 to each worker within three days of the employment of the worker (Appendix-VIII).

#### **10. SERVICE CERTIFICATE**

On termination of employment for any reason whatsoever the contractor shall issue to the workman whose services have been terminated, a Service certificate in Form XV of the CL (R&A) Central Rules 1971 (Appendix-IX)

**11. PRESERVATION OF LABOUR RECORDS**

All records required to be maintained under Regulations Nos. 6 & 7 shall be preserved in original for a period of three years from the date of last entries made in them and shall be made available for inspection by the Engineer-in-Charge or Labour Officer or any other officers authorised by the Ministry of Urban Development in this behalf.

**12. POWER OF LABOUR OFFICER TO MAKE INVESTIGATIONS OR ENQUIRY**

The Labour Officer or any person authorised by Central Government on their behalf shall have power to make enquires with a view to ascertaining and enforcing due and proper observance of Fair Wage Clauses and the Provisions of these Regulations. He shall investigate into any complaint regarding the default made by the contractor or subcontractor in regard to such provision.

**13. REPORT OF LABOUR OFFICER**

The Labour Officer or other persons authorised as aforesaid shall submit a report of result of his investigation or enquiry to the Executive Engineer concerned indicating the extent, if any, to which the default has been committed with a note that necessary deductions from the contractor's bill be made and the wages and other dues be paid to the labourers concerned. In case an appeal is made by the contractor under Clause 13 of these regulations, actual payment to labourers will be made by the Executive Engineer after the Superintending Engineer has given his decision on such appeal.

- (i) The Executive Engineer shall arrange payments to the labour concerned within 45 days from the receipt of the report from the Labour Officer or the Superintending Engineer as the case maybe.

**14. APPEAL AGAINST THE DECISION OF LABOUR OFFICER**

Any person aggrieved by the decision and recommendations of the Labour Officer or other person so authorised may appeal against such decision to the Superintending Engineer concerned within 30 days from the date of decision, forwarding simultaneously a copy of his appeal to the Executive Engineer concerned but subject to such appeal, the decision of the officer shall be final and binding upon the contractor.

**15. PROHIBITION REGARDING REPRESENTATION THROUGH LAWYER**

- (i) A workman shall be entitled to be represented in any investigation or enquiry under these regulations by:-
  - (a) An officer of a registered trade union of which he is a member.
  - (b) An officer of a federation of trade unions to which the trade union referred to in clause (a) is affiliated.
  - (c) Where the employer is not a member of any registered trade union, by an officer of a registered trade union, connected with the industry in which the worker is employed or by any other workman employed in the industry in which the worker is employed.
- (ii) An employer shall be entitled to be represented in any investigation or enquiry under these regulations by :-
  - a) An officer of an association of employers of which he is a member.
  - b) An officer of a federation of associations of employers to which association referred to in clause (a) is affiliated.
  - c) Where the employers is not a member of any association of employers, by an officer of association of employer connected with the industry in which the employer is engaged or by any other employer, engaged in the industry in which

the employer is engaged.

- (iii) No party shall be entitled to be represented by a legal practitioner in any investigation or enquiry under these regulations.

**16. INSPECTION OF BOOKS AND SLIPS**

The contractor shall allow inspection of all the prescribed labour records to any of his workers or to his agent at a convenient time and place after due notice is received or to the Labour Officer or any other person, authorised by the Central Government on his behalf.

**17. SUBMISSIONS OF RETURNS**

The contractor shall submit periodical returns as may be specified from time to time.

**18. AMENDMENTS**

The Central Government may from time to time add to or amend the regulations and on any question as to the application/Interpretation or effect of those regulations the decision of the Superintending Engineer concerned shall be final.

**NOTE:** *Appendix & others mentioned in above labour regulation from I to XIV will be as per the General Conditions of Contract-2023 – Construction works of CPWD.*

**Annexure –XI**  
**BANK GUARANTEE FORMAT FOR EMD**

WHEREAS, M/s ..... having their Registered/Head Office at...  
..... (hereinafter called “the Bidder”) has submitted his Bid  
dated..... for the .....[hereinafter called “the Bid”] to  
M/s WAPCOS Limited (hereinafter called the Employer)

KNOW ALL PEOPLE by these presents that we ..... (name of the  
Bank) having our head office at ..... (hereinafter called “the  
Bank”) are bound unto Employer in the sum of ..... for which  
payment well and truly to be made to the Employer, the Bank binds itself, its successors and  
assigns by these presents.

SEALED with the Common Seal of the said Bank this ..... day of  
.....2025.

THE CONDITIONS of this obligation are:

- (1) If after Bid opening the Bidder withdraws his bid during the period of Bid validity specified;  
OR  
(2) If the Bidder having been notified of the acceptance of his bid by  
.....during the period of Bid Validity:

We undertake to pay to the ..... up to the above amount upon receipt of his first  
written demand, without the Employer having to substantiate his demand, provided that in his  
demand the Bidder will note that the amount claimed by him is due to him owing to the occurrence  
of one or any of the above mentioned two conditions and specify the occurred condition or  
conditions.

This Guarantee will remain in force up to and including the date ..... after the  
deadline for submission of Bids as is stated in the instructions to Bidders or as it may be extended  
by the ..... notice of which extension(s) to the Bank is hereby  
waived and notice to the bidder would constitute sufficient notice to the Bank. Any demand in  
respect of this guarantee should reach the Bank not later than the above date.

Notwithstanding anything contained herein

- i. Liability under this guarantee shall not exceed .....
- ii. This bank guarantee shall be valid up to ..... and;
- iii. Our liability to make payment shall arise and we are liable to pay the guaranteed amount or any  
part thereof under this guarantee only and only if you serve upon us a written claim or demand in  
terms of the guarantee on or before..... (indicate a period twelve  
months after the date of issue of Bank Guarantee)

DATE:  
(Signature of Witness)

**SIGNATURE:**  
SEAL

## **SECTION – VI**

---

## **FORMS**

---



**LETTER OF TRANSMITTAL**  
(on Bidder Original Letter Head)

To  
Chief Scientist-II  
Ropeways Division  
WAPCOS Limited

**Subject: Submission of bids for (Name of the Work/ Project)**

Sir,

Having examined the details given in tender document for the above work, I/we hereby submit the relevant information.

1. I/we hereby certify that all the statement made and information supplied in the "Forms" enclosed with the tender and accompanying statement are true and correct.
2. I/we have furnished all information and details necessary for eligibility and have no further pertinent information to supply.
3. I/we submit the requisite certified solvency certificate and authorize the WAPCOS Ltd. to approach the Bank issuing the solvency certificate to confirm the correctness thereof. I/we also authorize WAPCOS Ltd. to approach individuals, employers, firms and corporation to verify our competence and general reputation.
4. I/we submit the following certificates in support of our suitability, technical knowledge and capability for having successfully completed the following eligible similar works:

Name of work	Certificate from

**Certificate:**

It is certified that the information given in the enclosed eligibility bid are correct. It is also certified that I/we shall be liable to be debarred, disqualified / cancellation of enlistment in case any information furnished by me/us found to be incorrect.

Enclosures:

Seal of bidder

Date of submission:

Signature(s) of Bidder(s).

**FORM-A FINANCIAL INFORMATION**

[To be submitted on **Original** Letter Head of Bidder OR **Original** Letter Head of CA ]

1. Financial Analysis: Details to be furnished duly supported by figures in balance sheet/ profit & loss account for the last five years duly certified by the Chartered Accountant, as submitted by the applicant to the Income Tax Department (Copies to be attached).

<b>Years</b>	<b>Gross Annual turnover on construction works</b>	<b>Profit/Loss (After Tax)</b>	<b>Net Worth</b>
2019-2020			
2020-2021			
2021-2022			
2022-2023			
2023-2024			

2. Financial arrangement for carrying out the works.
3. The following certificates are to be closed.  
Tax deducted at source, certificates from client.

**Signature of Chartered Accountant  
(with Seal)**

**Signature of Bidder(s)  
(with Seal)**

**Note:- The valid UDIN No. should be mentioned on the CA certificate.**

**FORM- B STRUCTURE & ORGANISATION**

<b>S.No</b>	<b>Particular</b>	<b>Details Submitted by Bidder</b>
1.	Name & address of the bidder	
2.	Telephone no./Telex no./Fax no.	
3.	Legal status of the bidder (attach copies of original document defining the legal status) (a) A proprietary firm (b) A partnership firm (c) A limited company or Corporation (d) A Company registered under company's Act 1956/2013	
4.	Particulars of registration with various Government Bodies (attach attested photocopy)	
	Organization/Place of Registration 1. 2. 3.	Registration No.
5.	Names and titles of Directors & Officers with designation to be concerned with this work.	
6.	Designation of individuals authorized to act for the organization	
7.	Has the bidder, or any constituent partner in case of partnership firm Limited Company/ Joint Venture, ever been convicted by the court of law? If so, give details.	
8.	In which field of Civil Engineering construction the bidder has specialization and interest?	
9.	Any other information considered necessary but not included above.	

**Signature of Bidder(s)**

**FORM-C: FORMAT FOR NO-CONVICTION CERTIFICATE**

[To be submitted on Bidder's **Original** Letter Head]

**Subject: No-Conviction Certificate for --- (Name of the work / project)**

This is to certify that \_\_\_\_\_(Name of the organization), having registered office at \_\_\_\_\_(Address of the registered office) has never been blacklisted or restricted to apply for any such activities by any Central / State Government Department or Court of law anywhere in the country.

This is also to certify that M/s \_\_\_\_\_(Name of the organization), is not involved in any form of Corrupt and Fraudulent Practices in past and will never be involved in future.

Yours faithfully,

Date:

(Signature, name and designation  
of the Authorized signatory)

Place:

**Name and seal of Bidder**

**FORM-D: FORMAT FOR UNDERSTANDING THE PROJECT SITE**

[To be submitted on Bidder's **Original** Letter Head]

To  
Chief Scientist-II  
Ropeways Division  
WAPCOS Limited

**Subject: Undertaking of the Site Visit for --- (Name of the work / project)**

Sir,

I/we hereby certify that I/we have examined & inspected the site & its surrounding satisfactorily, where the project is to be executed as per the scope of works. I/ We are well aware about the following

- Location of the site and accessibility to the site.
- Ground Water Level at construction site.
- Quality of ground water and availability of water surrounding to the Project.
- Termite effects at construction site & measures taken during construction of proposed site.
- Site clearance and location of matured trees.
- Topography and contouring of the land where the project is to be executed.
- Nature of the ground & sub-soil of the site as pile foundation is to be constructed
- Safety of Surrounding structures during excavation and during execution of work
- Hindrances, if any, which may arise during the execution of work

I / We hereby submit our BID considering above all facts gathered during site visit and each & every aspect have been considered in the Quoted Rates.

Yours faithfully,

Date:

(Signature, name and designation  
of the Authorized signatory)

Place:

**Name and seal of Bidder**

**FORM-E: FORMAT FOR NO DEVIATION CERTIFICATE**

[To be submitted on Bidder's **Original** Letter Head]

To  
Chief Scientist-II  
Ropeways Division  
WAPCOS Limited

**Subject: No Deviation Certificate for (name of Work /Project)**

Dear Sir,

With reference to above this is to confirm that as per Tender conditions we have visited site before submission of our Offer and noted the job content and site condition etc. We also confirm that we have not changed/modified the above tender document and in case of observance of the same at any stage it shall be treated as null and void.

We hereby also confirm that we have not taken any deviation from Tender Clause together with other reference as enumerated in the above referred Notice Inviting Tender and we hereby convey our unconditional acceptance to all terms & conditions as stipulated in the Tender Document.

In the event of observance of any deviation in any part of our offer at a later date whether implicit or explicit, the deviations shall stand null and void.

Yours faithfully,

Date:

(Signature, name and designation  
of the Authorized signatory)

Place:

**Name and seal of Bidder**

**FORM-F: FORMAT FOR INTEGRITY PACT**[To be submitted on Bidder's **Original** Letter Head]

To,  
 WAPCOS LIMITED,  
 2nd Floor, Plot No 62  
 Institutional Area, Sector-18, Gurugram,  
 Haryana-122015

**Sub: Integrity Pact for -- (Name of Work / Project)**

Dear Sir,

I/We acknowledge that WAPCOS is committed to follow the principles thereof as enumerated in the Integrity Agreement enclosed with the tender/bid document at **Enclosure-I.**

I/We agree that the Notice Inviting Tender (NIT) is an invitation to offer made on the condition that I/We will sign the enclosed integrity Agreement, which is an integral part of tender documents, failing which I/We will stand disqualified from the tendering process. I/We acknowledge that **THE MAKING OF THE BID SHALL BE REGARDED AS AN UNCONDITIONAL AND ABSOLUTE ACCEPTANCE** of this condition of the NIT.

I/We confirm acceptance and compliance with the Integrity Agreement in letter and spirit and further agree that execution of the said Integrity Agreement shall be separate and distinct from the main contract, which will come into existence when tender/bid is finally accepted by WAPCOS. I/We acknowledge and accept the duration of the Integrity Agreement, which shall be in the line with Article 1 of the enclosed Integrity Agreement.

I/We acknowledge that in the event of my/our failure to sign and accept the Integrity Agreement, while submitting the tender/bid, WAPCOS shall have unqualified, absolute and unfettered right to disqualify the tenderer/bidder and reject the tender/bid in accordance with terms and conditions of the tender/bid.

Yours faithfully,

Date:

(Signature, name and designation  
of the Authorized signatory)

Place:

**Name and seal of Bidder**

**ENCLOSURE-I : INTEGRITY AGREEMENT****[To be submitted on Stamp paper of At least Rs.100]**

This Integrity Agreement is made at ..... on this ..... day of ..... 20.....

**BETWEEN**

WAPCOS Limited, New Delhi (Hereinafter referred as the '**EMPLOYER**', which expression shall unless repugnant to the meaning or context hereof include its successors and permitted assigns) **AND**

.....  
 (Name and Address of the Individual/firm/Company)

through..... (Hereinafter referred to as the

(Details of duly authorized signatory)

**"Bidder/Contractor"** and which expression shall unless repugnant to the meaning or context hereof include its successors and permitted assigns)

**Preamble**

WHEREAS the Employer has floated the Tender (NIT No ..... ) (hereinafter referred to as "Tender/Bid") and intends to award, under laid down organizational procedure, contract for ..... (Name of work) hereinafter referred to as the "Contract".

AND WHEREAS the Employer values full compliance with all relevant laws of the land, rules, regulations, economic use of resources and of fairness/transparency in its relation with its Bidder(s) and Contractor(s).

AND WHEREAS to meet the purpose aforesaid both the parties have agreed to enter into this Integrity Agreement (hereinafter referred to as "Integrity Pact" or "Pact"), the terms and conditions of which shall also be read as integral part and parcel of the Tender/Bid documents and Contract between the parties.

NOW, THEREFORE, in consideration of mutual covenants contained in this Pact, the parties hereby agree as follows and this Pact witnesses as under:-

**Article 1: Commitment of the Employer**

- (1) The employer commits itself to take all measures necessary to prevent corruption and to observe the following principles:
  - (a) No employee of the Employer, personally or through any of his/her family members, will in connection with the Tender, or the execution of the Contract, demand, take a promise for or accept, for self or third person, any material or immaterial benefit which the person is not legally entitled to.



- (b) The Employer will, during the Tender process, treat all Bidder(s) with equity and reason. The Employer will, in particular, before and during the Tender process, provide to all Bidder(s) the same information and will not provide to any Bidder(s) confidential / additional information through which the Bidder(s) could obtain an advantage in relation to the Tender process or the Contract execution.
  - (c) The Employer shall endeavour to exclude from the Tender process any person, whose conduct in the past has been of biased nature.
- (2) If the Employer obtains information on the conduct of any of its employees which is a criminal offence under the Indian Penal code (IPC)/Prevention of Corruption Act, 1988 (PC Act) or is in violation of the principles herein mentioned or if there be a substantive suspicion in this regard, the Employer will inform the Chief Vigilance Officer and in addition can also initiate disciplinary actions as per its internal laid down policies and procedures.

**Article 2: Commitment of the Bidder(s)/Contractor(s)**

- (1) It is required that each Bidder/Contractor (including their respective officers, employees and agents) adhere to the highest ethical standards, and report to the WAPCOS all suspected acts of fraud or corruption or Coercion or Collusion of which it has knowledge or becomes aware, during the tendering process and throughout the negotiation or award of a contract.
- (2) The Bidder(s)/Contractor(s) commits himself to take all measures necessary to prevent corruption. He commits himself to observe the following principles during his participation in the Tender process and during the Contract execution:
  - (a) The Bidder(s)/Contractor(s) will not, directly or through any other person or firm, offer, promise or give to any of the Employer's employees involved in the Tender process or execution of the Contract or to any third person any material or other benefit which he/she is not legally entitled to, in order to obtain in exchange any advantage of any kind whatsoever during the Tender process or during the execution of the Contract.
  - (b) The Bidder(s)/Contractor(s) will not enter with other Bidder(s) into any undisclosed agreement or understanding, whether formal or informal. This applies in particular to prices, specifications, certifications, subsidiary contracts, submission or non-submission of bids or any other actions to restrict competitiveness or to cartelize in the bidding process.
  - (c) The Bidder(s)/Contractor(s) will not commit any offence under the relevant IPC/PC Act. Further the Bidder(s)/Contractor(s) will not use improperly, (for the purpose of competition or personal gain), or pass on to others, any information or documents provided by the Employer as part of the business relationship, regarding plans, technical proposals and business details, including information contained or transmitted electronically.
  - (d) The Bidder(s)/Contractor(s) of foreign origin shall disclose the names and addresses of agents/representatives in India, if any. Similarly Bidder(s)/Contractor(s) of Indian Nationality shall disclose names and addresses of foreign agents/representatives, if any. Either the Indian agent on behalf of the foreign principal or the foreign principal directly could bid in a tender but not both.

Further, in cases where an agent participate in a tender on behalf of one manufacturer, he shall not be allowed to quote on behalf of another manufacturer along with the first manufacturer in a subsequent/parallel tender for the same item.

- (e) The Bidder(s)/Contractor(s) will, when presenting his bid, disclose any and all payments he has made, is committed to or intends to make to agents, brokers or any other intermediaries in connection with the award of the Contract.
- (3) The Bidder(s)/Contractor(s) will not instigate third persons to commit offences outlined above or be an accessory to such offences.
  - (4) The Bidder(s)/Contractor(s) will not, directly or through any other person or firm indulge in fraudulent practice means a willful misrepresentation or omission of facts or submission of fake/forged documents in order to induce public official to act in reliance thereof, with the purpose of obtaining unjust advantage by or causing damage to justified interest of others and/or to influence the procurement process to the detriment of the WAPCOS interests.
  - (5) The Bidder(s)/Contractor(s) will not, directly or through any other person or firm use Coercive Practices (means the act of obtaining something, compelling an action or influencing a decision through intimidation, threat or the use of force directly or indirectly, where potential or actual injury may befall upon a person, his/her reputation or property to influence their participation in the tendering process).

### **Article 3: Consequences of Breach**

Without prejudice to any rights that may be available to the Employer under law or the Contract or its established policies and laid down procedures, the Employer shall have the following rights in case of breach of this Integrity Pact by the Bidder(s)/Contractor(s) and the Bidder/Contractor accepts and undertakes to respect and uphold the Employer's absolute right:

- (1) If the Bidder(s)/Contractor(s), either before award or during execution of Contract has committed a transgression through a violation of Article 2 above or in any other form, such as to put his reliability or credibility in question, the Employer after giving 14 days' notice to the contractor shall have powers to disqualify the Bidder(s)/Contractor(s) from the Tender process or terminate/determine the Contract, if already executed or exclude the Bidder/Contractor from future contract award processes. The imposition and duration of the exclusion will be determined by the severity of transgression and determined by the Employer. Such exclusion may be forever or for a limited period as decided by the Employer.
- (2) Forfeiture of EMD/Performance Guarantee/Security Deposit: If the Employer has disqualified the Bidder(s) from the Tender process prior to the award of the Contract or terminated/determined the Contract or has accrued the right to terminate/determine the Contract according to Article 3(1), the Employer apart from exercising any legal rights that may have accrued to the Employer, may in its considered opinion forfeit the entire amount of Earnest Money Deposit, Performance Guarantee and Security Deposit of the Bidder/Contractor.
- (3) Criminal Liability: If the Employer obtains knowledge of conduct of a Bidder or Contractor, or of an employee or a representative or an associate of a Bidder or Contractor which constitutes corruption within the meaning of IPC Act, or if the Employer has substantive suspicion in this regard, the Employer will inform the same

to law enforcing agencies for further investigation.

#### **Article 4: Previous Transgression**

- (1) The Bidder declares that no previous transgressions occurred in the last 5 years with any other Company in any country confirming to the anticorruption approach or with Central Government or State Government or any other Central/State Public Sector Enterprises in India that could justify his exclusion from the Tender process. If the Bidder makes incorrect statement on this subject, he can be disqualified from the Tender process or action can be taken for banning of business dealings/ holiday listing of the Bidder/Contractor as deemed fit by the Employer.
- (2) If the Bidder/Contractor can prove that he has resorted / recouped the damage caused by him and has installed a suitable corruption prevention system, the Employer may, at its own discretion, revoke the exclusion prematurely.

#### **Article 5: Equal Treatment of all Bidders/Contractors/Subcontractors**

- (1) The Bidder(s)/Contractor(s) undertake(s) to demand from all subcontractors a commitment in conformity with this Integrity Pact. The Bidder/Contractor shall be responsible for any violation(s) of the principles laid down in this agreement/Pact by any of its Subcontractors/sub-vendors.
- (2) The Employer will enter into Pacts on identical terms as this one with all Bidders and Contractors.
- (3) The Employer will disqualify Bidders, who do not submit, the duly signed Pact between the Employer and the bidder, along with the Tender or violate its provisions at any stage of the Tender process, from the Tender process.

#### **Article 6: Duration of the Pact**

- (1) This Pact begins when both the parties have legally signed it. It expires for the Contractor/Vendor 12 months after the completion of work under the contract or till the continuation of defect liability period, whichever is more and for all other bidders, till the Contract has been awarded.
- (2) If any claim is made/lodged during the time, the same shall be binding and continue to be valid despite the lapse of this Pacts as specified above, unless it is discharged/determined by the Competent Authority, WAPCOS

#### **Article 7: Other Provisions**

- (1) This Pact is subject to Indian Law, place of performance and jurisdiction is the Headquarters of the Employer, who has floated the Tender.
- (2) Changes and supplements need to be made in writing. Side agreements have not been made.
- (3) If the Contractor is a partnership or a consortium, this Pact must be signed by all the partners or by one or more partner holding power of attorney signed by all partners and consortium members. In case of a Company, the Pact must be signed by a representative duly authorized by board resolution.

(4) Should one or several provisions of this Pact turn out to be invalid; the remainder of this Pact remains valid. In this case, the parties will strive to come to an agreement to their original intentions.

(5) It is agreed term and condition that any dispute or difference arising between the parties with regard to the terms of this Integrity Agreement / Pact, any action taken by the Employer in accordance with this Integrity Agreement/ Pact or interpretation thereof shall not be subject to arbitration.

**Article 8: LEGAL AND PRIOR RIGHTS**

All rights and remedies of the parties hereto shall be in addition to all the other legal rights and remedies belonging to such parties under the Contract and/or law and the same shall be deemed to be cumulative and not alternative to such legal rights and remedies aforesaid. For the sake of brevity, both the Parties agree that this Integrity Pact will have precedence over the Tender/Contact documents with regard any of the provisions covered under this Integrity Pact.

IN WITNESS WHEREOF the parties have signed and executed this Integrity Pact at the place and date first above mentioned in the presence of following witnesses:

.....  
(For and on behalf of Employer)

.....  
(For and on behalf of Bidder/Contractor)

**WITNESSES:**

1.....  
(Signature, name and address)

2.....  
(Signature, name and address)

Place:

Dated

**FORM-G: FORMAT FOR LITIGATION HISTORY, LIQUIDATED DAMAGES, DISQUALIFICATION**

[To be submitted on Bidder's **Original** Letter Head]

**To,**  
Chief Scientist-II  
Ropeways Division  
WAPCOS Limited

**Subject: Litigation History, Liquidated Damages, Disqualification for -- (Name of Work /Project)**

It is hereby declared that our firm (Name of firm with address-- ) neither disqualified, nor have any Litigation history and no Liquidated Damage imposed on the firm by any Department.

Yours faithfully,

Date:

(Signature, name and designation  
of the Authorized signatory)

Place:

**Name and seal of Bidder**

**FORM-H: UNDERTAKING REGARDING BLACKLISTING / NON DEBARMENT**

[To be submitted on Bidder's **Original** Letter Head]

**UNDERTAKING REGARDING BLACKLISTING / NON DEBARMENT**

Name of Work:

Ref:Tender No..... dated.....

To,  
Engineer In charge of Project,  
WAPCOS Ltd,  
76C, Industrial Area,  
Gurugram, Haryana

This is to certify that we have taken the cognizance of Blacklisting Policy of WAPCOS Ltd. Further, we hereby confirm and declare that we, M/s is not blacklisted/ De-registered/ debarred by any Government department/ Public Sector Undertaking/ Private Sector/ or any other agency for which we have Executed/Undertaken the works/Services during the last 5 years.

For .....

Authorized Signatory

Date:

**FORM-I: FORMAT FOR SOLVENCY CERTIFICATE**

[To be submitted on Bidder's **Original** Letter Head]

**To,**

Chief Scientist  
Ropeways Division  
WAPCOS Limited  
2nd Floor, Plot No 62  
Institutional Area, Sector-18, Gurugram,  
Haryana-122015

**Name of the Project:**

This is to certify that to the best of our knowledge and information M/s.....  
having marginally noted address, a customer of our bank are/ is respectable and can be treated as  
good for any engagement up to a limit of Rs.....(Rupees.....)

This certificate is issued without any guarantee or responsibility on the Bank or any of the officers.

This certificate is issued at specific request of the customer for tender purpose,

Date:

Place:

**Signature of Authorized signatory of bank:**

**Name of Authorized signatory of bank:**

**E-mail id of Bank/Authorized signatory of bank:**

**Power of attorney number of the bank official:**

**FORM-J: DETAILS OF SIMILAR WORKS EXECUTED DURING LAST 07 YEAR MEETING THE MINIMUM ELIGIBILITY CRITERIA**

S.no	Name of work & its location	Name of Client	Date of start	Date of Completion	Date of issue of completion Certificate	Cost of Construction of the Work on Completion (In Rs)	Cost of Construction of the Work on current cost level (In Rs)	Litigation/ Arbitration cases pending/ in progress with details	Reference & page No of Documentary proof
1.									
2.									
3.									
4.									
5.									
6.									
7.									

\*The value of works shall be mentioned without GST.

Certified that the Completion Certificates of above works are enclosed with the Tender Documents. Details mentioned in the above Form are as per Completion Certificates and have not been presumed. If any detail is not mentioned in the Work Completion Certificate, documentary proof of detail is to be submitted with the Completion Certificate.

**Signature of Bidder with Seal**



## FORM-K: NON-DISCLOSURE AGREEMENT (NDA)

THIS AGREEMENT is entered into on this day.....of.....by and between WAPCOS Ltd and the bidder (Name of the bidder ) ,represented for this NDA by the bidder (Name of the bidder ) (Address of the bidder ) for " Renovation of Existing Storm Water Drainage & Provision of STP at MTPF AVNL Ambernath, Maharashtra."

"Employer" (Disclosing Party) and "the contractor" (Receiving Party and are hereinafter individually referred to as the "Disclosing Party & Receiving Party" and collectively as the "Parties".

Whereas

In the course of discussions concerning a possible co-operation, whose terms and consequences this agreement does not contemplate, relating to "REPAIR AND RENOVATION OF INDUSTRIAL SHEDS AT AMBERNATH, MAHARASHTRA ", "Renovation of Existing Storm Water Drainage & Provision of STP at MTPF AVNL Ambernath, Maharashtra. "

The Parties wish to settle the conditions of the disclosure of the confidential information and to define rules relating to the use and protection of said information.

Now therefore it is hereby agreed as follows:

1. The purpose of this agreement is to set forth rules relating to the use and protection of the Confidential Information disclosed by a Party to the other as well as the confidentiality obligations of the Receiving Party with respect to the Confidential Information. Nothing in this agreement shall be construed as compelling the Parties to disclose any Confidential Information to each other, or to enter into any further contractual relationships.
2. For the purpose of this agreement the term "Confidential Information" shall mean any information disclosed by one Party (the Disclosing Party) to the other Party (the Receiving Party) under the agreement whether in writing, orally, visually, in the form of samples, models or otherwise, provided that such information, if written, is clearly and conspicuously marked as being proprietary or confidential and that if oral, visual, and in other non-written form is designated as Confidential Information at the time of disclosure and is confirmed by the Disclosing Party as such in writing within 30 days of it being disclosed. All the protection and restrictions in this Agreement as to the use and disclosure of confidential Information shall apply during the same period of one month.
3. In consideration of any subject to the foregoing, the Receiving Party in each case undertakes in respect of Confidential Information disclosed to it here under, and for the duration of this Agreement and after its expiration or termination of this Agreement and duration shall remain in full force and effect for a period of Three (03) years following the disclosure of such Confidential Information or until it falls under one of the expectations set out on Section 4 below:
  - (a) To obtain/keep such Confidential Information in strict confidence.
  - (b) Except with prior written consent of the Disclosing Party, not to disclose such Confidential Information whether directly or indirectly, in particular through reproduction, to any third Party or Persons. Any third party means any individual or company other than " the contractor " and "Employer" not to use such confidential Information and shall not be sold/traded/published or otherwise disclosed to any one in any manner, whatsoever, including by means of reproduction otherwise in writing by the Disclosing Party;
  - (c) To protect such Confidential Information, whether in storage or in use, with the same degree of care as that party uses to protect its own Confidential Information against public disclosure, but in no case with any less degree than reasonable of care;

- (d) Not to disclose such Confidential Information to any persons employed in its company other than those for whom such knowledge is essential for the purpose contemplated in the Agreement, provided such persons are informed of the Confidential Information and of the associated confidentiality obligations under this Agreement;
4. The obligations in this Agreement shall not apply to any information which it can be proved by the Receiving Party upon the request of the Disclosing Party:
- (a) At the time of disclosure was or thereafter became, part of the public domain otherwise than through the fault or negligence of the Receiving Party, or
  - (b) Was lawfully obtained by the Receiving Party from a third Party with full rights of disclosure, or
  - (c) Is already known to the Receiving Party at the date of receipt of Confidential Information pursuant to this Agreement, or
  - (d) Was independently developed by the Receiving Party without making use of the Confidential Information, or
  - (e) Has been approved for release or use (in either case without restriction) by written authorization of the Disclosing Party, or
  - (f) Has not been designated or confirmed as being Confidential Information, unless the circumstances of its disclosure make it obvious that it was information of this confidential nature.
5. Each Party designates the below identified person(s) from within its own organization to receive and disclose all Confidential Information which is subjected to the restriction of this Agreement and to maintain a log and/or file thereof:

For Bidder  
 (Name of the Bidder)  
 (Address of Bidder)

FOR Employer

Any alteration in the name or address of the above individual(s) by either Party shall be notified to the other in writing.

6. This Agreement shall be constructed as granting or confirming, either expressly or impliedly any rights under Patents, copyright or any other form of intellectual property rights belonging to the Disclosing Party in respect of Confidential Information the ownership of which shall remain vested in the Disclosing Party at all times.
7. All confidential Information, including drawings, specifications and other documents submitted by one Party to the other shall remain the property of the Disclosing Party. If either Party elects not to pursue the purpose contemplated by this Agreement each Party shall either return to the other Party all such information, drawings, specifications and other documents and all copies thereof containing the confidential information or destroy them upon the written request of the Disclosing Party and provide the latter with a certificate of destruction within thirty (30) days after such request. The return or destruction of documentation shall not be deemed to release either Party from its obligation contained in Clause 3 above.

8. In providing Confidential Information hereunder, the Parties make no representation, warranty, assurance, or inducement, expressed or implied, as to its adequacy, sufficiency or freedom from defect of any kind, including, but not limited to, freedom from Patent infringement that may result from the use of such information, nor shall the Parties incur any responsibility or obligation by reason of such information.
9. Unless earlier terminated in accordance with article 10 hereafter, this Agreement is entered into for a period of three (03) year from the date of its signature by both Parties.
10. Either Party shall be entitled to terminate this Agreement at any time with thirty (30) days prior written notice to the other Party.
11. Neither Party shall assign or transfer any of its rights or obligations hereunder without the prior written consent of the other Party, except to a successor in ownership of substantially all the assets of the assigning Party if the successor in ownership expressly assumes in writing the terms and conditions of this Agreement.
12. Each Party shall use every reasonable endeavour to ensure that its employees and other persons when disclosure of Confidential Information has been specifically authorized by the Disclosing Party shall observe the obligations contained herein as if such employees and other persons were a Party to this Agreement.
13. Any confidential Information disclosed by the Parties under this Agreement which is Classified Information i.e., information provided with a military security classification by the competent national military authorities, shall be identified by the Disclosing Party as classified Information at the time of disclosure and the disclosure, protection, use and handling of such information shall be in accordance with security procedures by the appropriate Government.
14. The entering into this agreement shall not constitute obligation on part of either of the Parties to enter into any further agreement.
15. This Agreement shall be governed by and construed in accordance with the Law of Govt. of India. Any dispute arising in connection with this Agreement, if not settled amicably, shall be settled as per the agreement/MoU signed with WAPCOS LTD.
16. This Agreement constitutes the entire agreement between the Parties with respect to the subject matter hereof and supersedes and cancels all prior representations, negotiations, commitments, undertakings, communications, whether oral or written, understandings and agreements between the Parties, with respect to or in connection with any of the matters or things to which such Agreement applies or refers.

This Agreement can only be changed by a written amendment agreed upon by the Parties hereto and signed by Persons authorized to bind the Parties.

IN WITNESS whereof the Parties have caused this Agreement to be signed by their duly authorized representatives on the date first above written.

NOTE: ALL PAGES OF NDA TO BE SIGNED BY BOTH PARTIES.

**For and on Behalf of WAPCOS  
Bidder  
Ltd, New Delhi**

**for and on Behalf of**

**FORM-L: UNDERTAKING FOR RULE 144 (XI) IN THE GENERAL FINANCIAL RULES-2017**

**Name of Work:** .....

I / we .....(Name of the Firm) well aware about the Restrictions under RULE 144 (XI) In General Financial Rules (GFR), 2017 on procurement from country which shares a land border with India.. I/ we hereby certify that we are eligible to participate in the tender as per Rule 144 (xi) In The General Financial Rules (GFR), 2017

**Date:**

**(Signature, Name, Designation  
of the Authorized signatory with Seal)**

**Place:**

## **SECTION – VII**

---

### **SCOPE OF WORK**

---

## SCOPE OF WORK

### 1.0 BRIEF SCOPE OF WORK

The scope of the project involves the construction/ of a storm water drainage and sewerage network tailored to the specific needs of the site. Detailed mapping and analysis of drainage patterns and sewerage flow. Integration of the proposed system with existing facilities and the surrounding environment. The scope of work includes the construction and Renovation work of storm water drainage, sewerage network and STP, following the CPWD guidelines with full satisfaction and handing over. The Scope of work shall include execution of work in accordance with Detailed Specifications of all the works; Tender Drawings, Architectural, Approved Structural & Services Drawings, list of Approved makes of works, General Technical specifications of works and other conditions stipulated in Tender Document. The contractor shall be responsible for procurement, transportation, providing, laying, fixing of all material required for the execution of work.

The Scope of work includes but not limited to:

1. Repairs / provision of internal storm water drain network including earthwork in excavation and backfilling, steel reinforcement work, reinforced cement concrete work for drain sides with necessary formwork, construction of masonry chambers, laying of RCC pipes, dismantling & restoration of roads, provision of saucer drains at sides of roads to channelize rain water flow etc.
2. Repairs to external storm water drain network including dismantling of existing damaged drain system, earth work in excavation and backfilling, refilling, steel reinforcement work, reinforced cement concrete for drain sides with necessary formwork, provision of chambers etc.
3. Repairs to existing sewer network including earthwork in excavation, laying of base concrete, laying of sewer pipes (HDPE DWC pipes for enhanced durability), construction of manholes at different locations of different sizes as per design, cutting & restoration of road surface, installation of flushing tank at intervals to maintain self-cleansing velocity in the sewer network as per IS Code 4111 provisions.
4. Installation of MBBR technology-based Sewage Treatment Plant inclusive of bar screen, equalization tank, MBBR Tanks, Settling Tank, Filter feed tank, pressure sand filter, activated carbon filter & treated water tank.

### 2.0 Specific Conditions for Works

- I. Efforts to be made to cause minimum possible disturbance in surrounding area / building during execution of work. For this purpose, the site for stacking of materials, mixing of concrete/mortar etc shall be selected carefully by Contractor in consultation with WAPCOS/Client.
- II. The water required for the construction purpose will be made available at the nearest water point. The Contractor has to make arrangement for tapping of the water line and lead length of water pipe required for the purpose. The Contractor shall make his own arrangements for storage of adequate quantity of water required.
- III. Necessary electric supply if required will be made available to the Contractor on demand at the nearest feeder pillar/ pole. For this purpose the Contractor has to bring his own energy meter which will be tested and approved by the factory before installation at site. The levy of electricity charges shall be as per the prevailing rates based on periodical meter reading to be taken jointly.
- IV. The location for Contractor storage shed if required will be decided by WAPCOS/Client.
- V. The Contractor shall ensure the existing road surfaces are not utilized for mixing of concrete/cement mortar and for stacking of materials.
- VI. The work is inside prohibited area. Hence the Contractor shall submit the list of personals engaged for subject work to the security officer for their information and record purpose along with necessary procedure of PVR / Notary as required from Security Office of WAPCOS/Client.

- VII.** The movement of Contractor's labourers shall be restricted to the designated work site only and nuisance/inconvenience to nearby building shall be avoided.
- VIII.** The normal working hours shall be from 0800 hrs to 17.30 hrs. However, to speed up the work WAPCOS may engage Contractor for extra working hrs with prior intimation to Client.

### 3.0 Scope of work:

The works of the project shall be executed as per Architectural, Approved Structural & Services Drawings, Bill of Quantity (If applicable), list of Approved makes of works, General Technical specifications of works and other conditions mentioned in the tender document. Contractor will finalize the brand of material in consultation with WAPCOS before execution of work from the following list of approved makes which are applicable for this work.

General Specifications to be followed:

#### a) Site Preparation

- Conduct a thorough inspection of the site to assess structural integrity and identify areas requiring repair or replacement.
- Ensure safety measures and signage are in place before starting work

#### b) Demolition and Dismantling

- Remove damaged or deteriorated structures/components carefully without causing harm to adjacent structures.
- Dispose of waste material in compliance with local regulations.

### A. Repair/ Construction of Storm Water Drainage Network

Internal Drainage Network		
S.No	Width (mm)	Length (M)
1	450	2834.8
2	600	213.0
3	750	268.4
4	1000	129.6
Total Length (M)		3445.9

External Drainage Network		
S.No	Width (mm)	Length(M)
1	1500	163.0
2	2500	103.0
3	3000	295.0
4	3500	101.7
Total Length (M)		662.7

### B. Construction Saucer Drain

The RCC saucer drain, with a width of 300mm and a length of 900m.

### C. Repair/ Construction of Sewerage Network

- The sewerage network of length 1,453 meters to be constructed using high-density polyethylene (HDPE) DWC pipes with a diameter of 150 mm.
- 16 flushing tanks with a capacity of 2 KL each are proposed at strategic locations throughout the network. These flushing tanks are essential for maintaining the flow
- Treated Water Distribution Network (For Flushing Tank) of total length 1495m of various diameters
- Construction of Sewerage Treatment Plant (STP):  
The plant is based on **MBBR technology with 70 KLD capacity** (Including 5 years Operation & Maintenance) with following characteristics.

SR. NO.	PARTICULARS	CHARACTERISTICS
1	Nature of waste water	Sewage
2	Flow	70 m <sup>3</sup> /day/average
3	Operating period	22 hrs. /day
4	Design Average Flow	3.18 m <sup>3</sup> /hr

## i. Tank Schedule

S.No	Description	Sizes in m3	Qty	MOC
1.	Bar Screen Chamber	0.31 m3	1	RCC
2.	Equalization Tank	25 m3	1	RCC
3.	MBBR Tank 1&2	13 m3	2	MSEP
4.	Settling Tank	13 m3	1	MSEP
5.	Filter Feed Tank	6 m3	1	MSEP
6.	Treated Water Tank	25 m3	1	RCC

## ii. Equipment List

Sr. No.	Equipment	Specifications	Quantity	Make / MOC
1	Coarse Screen	15-20 mm	1 Nos.	SS304
2	Fine Screen	8-10 mm	1 Nos.	SS304
3	Sewage Transfer Pump	3.18 m <sup>3</sup> /hr	2 Nos.	Kirloskar
4	Air Blower	65 m <sup>3</sup> /hr	2 Nos.	A1/Airvak / Equivalent
5	MBBR Media	450 m <sup>2</sup> /m <sup>3</sup>	1 Nos.	PP
6	Air Diffuser	63 mm x 1000mm	8 Nos.	PP
7	Sludge Transfer/ Recirculation Pump	1.59 m <sup>3</sup> /hr	1 Nos.	Kirloskar
8	Tube settler Media	11m <sup>2</sup> /m <sup>3</sup>	2 Nos.	PP
9	Filter feed pump	3.18 m <sup>3</sup> /hr	2 Nos.	Kirloskar
10	Sand filter and Carbon filter	3 m <sup>3</sup> /hr	1 Nos.	Pentair
11	Hypo dosing system Pump Tank	6 LPH 100 Ltr.	1 Set	Edose PP
12	Filter press	12*12*12	1 Nos.	PP



#### **4.0 DESIGN AND DRAWINGS OF PROJECT / WORKS**

The drawings given in the tender document to understand the detailed scope of the work. Tender drawings will be revised/modified as per the site conditions, technical requirements as per the Indian Standard of Codes, and due to unforeseen conditions and as per the decision by Engineer In-charge.

All the Good for Construction (GFC) drawings required for the execution of work as per the scope of work shall be issued by WAPCOS as per the project requirement. If required the drawings will be vetted from NIT/IIT shall be provide to Contractor but safety and stability of the structure is also the responsibility of the Contractor

The Contractor will submit the detailed PERT/CPM chart to WAPCOS after award of the work so that planning of release of stage-wise drawings may be ensured. The Contractor may make advance planning according to the drawings attached with the Tender document as the drawings are detailed and comprehensive.

#### **5.0 NOC'S / APPROVALS/ CLEARANCE OF PROJECT FROM LOCAL BODIES/AUTHORITIES**

The Contractor will take necessary Statuary Approval/ NoCs/ Clearance from all concern Local Authorities / Departments (State Electricity board etc./ Electrical inspectorate/ pollution department/ forest department etc.), if any, required before start of the work / during the work / after execution of work & before handing over the Project.

The fee for getting this approval, shall be deposited by the Contractor to the concerned Department / Authorities and no extra cost for the same shall be claimed by the contractor.

The contractor shall mobilize the resources at site after getting approval / NoCs/ Clearance from all concern Local Authorities / Departments if any, essential before start of the construction and shall not make any claim due to any delay in approval.

#### **6.0 GEOTECHNICAL INVESTIGATION**

Soil exploration and soil investigation work shall be carried out by contractor immediately after the award of the work, as applicable.

#### **7.0 TOPOGRAPHICAL SURVEY**

The detail Topographical Survey work of entire site has already been carried out by WAPCOS. However, Contractor/Bidder may carry out detail survey at his own cost to verify the survey data provided by the WAPCOS and make own assessment about topography of site, before quoting rate and start of the Construction. No claim of Contractor in respect of discrepancy in topographical survey /levels shall be entertained.

#### **8.0 LIST OF APPROVED MAKES**

1. All materials and products used in the work shall conform to the relevant standards/ specifications and shall be of approved make and design. Lists of approved manufacturers/ vendors for HVAC works, Electrical works etc. is given herein below. The approval of a manufacturer/vendor shall be given only after review of the sample/ specimen by the Engineer-in-charge/Consultant/Client. The complete system and installation shall also be in conformity with the "Applicable Codes Standards and Publications".

2. List of Approved makes for Products, Materials and specialist agencies is given below. Other equivalent manufacturers may be considered with prior approval; however the decision of the Engineer-in-charge shall be final and binding.

3. The Engineer- In-charge/Consultant/Client reserves the right to select any of the brand indicated in the list of approved make. The tenderer shall quote his rates on the basis of price of best quality product of the brand/make stipulated in the items of works as described in BOQ, specifications as well as in the list of approved make. The contractor cannot claim anything extra if the Engineer In-charge/ Consultant/Client changes the make but within the list of approved make.

4. When certain makes are missing in the below list, the make will be decided as per the approval of Engineer In-charge.

## 9.0 CIVIL WORKS

The General Technical Specification of Civil Works will be as per the provision within DSR/SOR, IS Codes, CPWD Specifications, Building Codes, approved drawings, Standard Norms and standard specifications of particular works. The following components shall be executed as per given specification:

### List of Approved Makes of Civil Works

Acceptable makes of materials for civil work to be used in the work are enclosed. In case of non-availability of these makes, the Contractor can use the alternative makes only BIS marked materials after approvals. Non BIS marked materials may be permitted by the WAPCOS only when BIS marked materials are not manufactured.

S NO	DESCRIPTION OF ITEM	PROVISION	MAKE
1	ROOFING SHEET	Replacing Existing asbestos sheet with approved roofing sheet	Tata Bluescope Steel / Jindal/ JSW
2	CIVIL WORKS		
2.1	Cement	OPC/ PPC/ PSC	ULTRATECH/ACC/ JAYPEE, SHREE
2.2	Ready Mix Concrete (M25, M30)	As per IS 456 & IS 4926	ACC / UltraTech OR Equivalent
2.3	Chemical Admixtures		SIKA / FOSROC
2.4	Internal/ External Walls with brickwork	Fly ash Brickwork in Adhesive/ cement mortar (1:6) & (1:4)	Make to be approved by the Employer
2.5	Reinforcement Steel	Corrosion Resistance Steel	TATA TISCON / SAIL / JINDAL
3	FINISHING WORKS		
3.1	FLOORING & DADO WORK		
3.1.1	Polyurethane cementitious Flooring at Shed 5 floor, Assembly Shopl & Basement Corridor	Polyurethane cementitious per Approved design	As per approved Design

<b>S NO</b>	<b>DESCRIPTION OF ITEM</b>	<b>PROVISION</b>	<b>MAKE</b>
3.1.2	Shuttering Material	For Formwork	ULMA / Doka / Peri / Local Approved Supplier
3.1.3	Basement Godown flooring	Cementious Flooring or Equivalent as per Approved design	As per approved Design
3.1.4	Staircase and Lobby area , Basement Entrance Foyer	Kota Stone or Equivalent as per Approved design	As per approved Design
<b>3.2</b>	<b>PAINT, PUTTY AND POP WORK</b>		
3.2.1	Paint	As per architectural design	Asian / Berger//Nerolac
3.2.2	External Plastered Surface	Acrylic Exterior Emulsion Paint	Asian/Berger/ /Nerolac
3.2.3	Inside Duct	Acrylic Exterior Emulsion Paint	Asian/Berger//Nerolac
3.2.4	Putty Punning	Exposed Plastered Surface	Birla/JK/ Berger
3.2.5	Chemical Paint/Silicon Paint		SIKA/Asian/Berger/Nerolac
3.2.6	Epoxy Paint for Steel Structure		Asian/Berger/ Nerolac
<b>3.3</b>	<b>FALSE CEILING</b>		Armstrong/ Aerolite/ Dexune/ Hunter Douglas, Saint Gobain
3.3.1	Assembly Shop, Basement Corridor	Grid False Ceilings - GRG (Glass Fibre Reinforced Gypsum) 595x595 mm Tiles	Approved Brands: Armstrong/ Gyproc /USG Boral/ Others as approved by EIC
<b>3.4</b>	<b>DOOR &amp; WINDOW FRAME WORK</b>		
3.4.1	Door	Un-Plasticised Poly Vinyl Chloride (UPVC)	Fenesta UPVC/ Prominance/ Adopen/ Aparna Venstar / Durofenster
3.4.2	Window	Un-Plasticised Poly Vinyl Chloride (UPVC)	Fenesta UPVC/Prominance/ Adopen / Aparna Venstar / Durofenster
3.4.3	Glass Frame Door	Providing & Fixing of Glass Door frame where internal glass partitions are proposed or the locations as directed by Engineer In-charge.	Modifloat/ Saint Gobain/ Asahi
3.4.6	Flush Door		Greenply / Century / Archidply
3.4.7	Fibre Reinforced Plastic (FRP)		As Approved by Engineer Incharge. Engineer Ply / Durofenster or Equivalent
3.4.8	UPVC Windows		Fenesta UPVC/Prominance/ Adopen/ Aparna Venstar / Durofenster

<b>S NO</b>	<b>DESCRIPTION OF ITEM</b>	<b>PROVISION</b>	<b>MAKE</b>
3.4.9	Glass Work	Door / Window / Glazing	Modifloat/ Saint Gobain/ Asahi
3.4.10	Aluminium Section	Both Anodised & Powder Coated	Jindal/ Hindalco /Aludecor
<b>4.0</b>	<b>STRUCTURAL STEEL WORKS</b>		
4.1	Truss Members, Strengthening Work		TATA Steel, Jindal Steel/ Sail
4.2	Ladder & Walkway, Shaft Frame, partition frame		TATA Steel, Jindal Steel / Sail
<b>5.0</b>	<b>Internal Partition Work</b>		
5.1	Puf Partitions	0.5mm & 0.3mm sandwich steel panel with puf insulation as per approved design	TATA Steel, Jindal Steel or As per Approved Design
5.2	Glass Partitions		Modi Glass / Saint Gobain Glass Partitions
<b>6.0</b>	<b>WATER PROOFING &amp; ANTI - TERMITE</b>		SIKA/Pidilite/Dr Fixit/Zydex / Fosroc
<b>7.0</b>	<b>LIFT/ELEVATORS</b>	Passenger Lift/ Service Lift	Thyssenkrup/ Mitshubishi/ Schindler/ OTIS/ KONE
<b>8.0</b>	<b>FURNITURE'S WORK</b>		Featherlite / Godrej / WIPRO
<b>9</b>	<b>Façade Works</b>		
9.1	Elevation Façade		As per Indicative Drawings / Images
9.2	Skylight , North Light	DGU / Laminated / High Strength & Fully tempered _ Polycarbonate Sheets	
9.3	Aluminium Extrusions		Schuco / SAPA Building Systems/ European Facade Product (EPF) / Rayners/ Jindal/ Acealco / Hindalco /equivalent
9.4	Reflective Glass		Saint-Gobain /Asahi (India)/ Pilkington/Guardian/equivalent
9.5	Clear Float Glass		Saint-Gobain/ Asahi/ Guardian
9.6	Fire Rated Glass		Saint-Gobain / Pilkington/ Firelite / Glaverbel/ ASAHI. /equivalent
9.7	Glass Processing		Saint-Gobain/ Asahi/ Pilkington/ Glasstech.
9.8	PVB Lamination		DuPont/ Saflex / EVERLAM/equivalent
9.9	SGP Lamination		DuPont/ DURASAFE / EVERLAM/equivalent

<b>S NO</b>	<b>DESCRIPTION OF ITEM</b>	<b>PROVISION</b>	<b>MAKE</b>
9.1	Weather Sealant		Dow Corning / GE / Mac Coy
9.11	Structural Sealant		Dow Corning/ GE-Silicon /WACKER
9.12	Solid Aluminium Sheet		Nalco/Jindal/ Hindlco
9.13	Anchor Fasteners		Hilti / Fischer / Wurth
9.14	Anchor Channels		Halfen / Hilti / Jordhal
9.15	(Cast in Channel)		
9.16	EPDM & Silicon Gasket		ME Rubber/ OSAKA/ New Stars Industrial
9.17	Powder Coating		Jotun / Akzonoble/ Asian
9.18	PVDF Coating		Jotun / Akzonoble/ Asian
9.19	Specialize Vendor for PVDF Coating		SP Coating/ MJ Coaters/ Aura International
9.2	Specialize Vendor for Facade work		SP fab/Glass Wall System/Ace Fac;:ade pvt. ltd
9.21	Spacer Tape (Open PU Cell)		Norton / BOW / 3M
9.22	Glass wool (Insulation)		UP Twiga, LLOYD INDIA LTD, ROCKWOOLINDIA
9.23	Rock wool (Fire Stop)		Rockwool India, ROXUL, LLOYD
9.24	Smoke Seal Intumescent		Hilti / Sika / 3M
9.25	Baker Rod		Supreme Industries /Systrans Polymers / Backerrod
9.26	SS Patch Fitting		Dorma / Geze / Kaba
9.27	Mild steel		Jindal/ Sail / Tata
9.28	Stainless Steel		Jindal Sail/ Tata Steel
9.29	Facade Systems		Schuco/ SAPA Building Systems/ European Facade Product (EPF) / Rayners/ Ace Façade
9.3	Anodizing		Dow Chemicals /Radiant Anodizers/ Metal Coating Solutions Giesse /Cotswold/ Securistyle/ Schuco/ SAPA
9.31	55 Friction Hinges		Building Systems/ European Facade Product (EPF) / Rayners Giesse /Cotswold/

S NO	DESCRIPTION OF ITEM	PROVISION	MAKE
			Securistyle/ Schuco/ SAPA
9.32	Multipoint Locking sets		Building Systems/ European Facade Product (EPF) / Rayners Giesse /Cotswold/ Securistyle/ Schuco/ SAPA
9.33	Handle		Building Systems/ European Facade Product (EPF) / Rayners
9.34	Rollers for Sliding		Giesse /Cotswold/ Securistyle/ Schuco/ SAPA Building Systems/ European Facade Product (EPF) / Rayners
9.35	Flush lock for Sliding's		Giesse /Cotswold/ Securistyle/ Schuco/ SAPA Building Systems/ European Facade Product (EPF) / Rayners
9.36	Wool Pile with Silent Film		Giesse /Cotswold/ Securistyle/ Schuco/ SAPA Building Systems / European Facade Product (EPF) / Rayners
9.37	Windows Hinges		Giesse /Cotswold/ Securistyle/ Schuco/ SAPA Building Systems/ European Facade Product (EPF) / Rayners
9.38	Doors Hinges		Giesse /Cotswold/ Securistyle/ Schuco/ SAPA Building Systems/ European Facade Product (EPF) / Rayners
9.39	Facade Access/ BMU		Secalt / Cox Gomyl / Manntech

### 10.0 ELECTRICAL WORKS

The General Technical specifications of Electrical works will be as per the provisions within CPWD DSR, IS codes, building codes, relevant IRC codes, approved drawing, standard NORMS and standard specifications, of particular work.

#### LIST OF APPROVED MAKES FOR ELECTRICAL

Acceptable makes of materials for electrical and fire alarm work to be used in the work are enclosed. In case of non-availability of these makes, the Contractor can use the alternative makes only BIS marked materials after approvals. Non BIS marked materials may be permitted by the WAPCOS only when BIS marked materials are not manufactured.

S NO	DESCRIPTION OF ITEM	MAKE
1	Rising Mains	Legrand / C&S/ Schneider/siemens
2	L.T. Panel / MDB: PTA	OEA of Schneider/siemens/ABB/L&T/Legrand

S NO	DESCRIPTION OF ITEM	MAKE
3	MCB-DB / SDB (Factory built)	Legrand (ekinox) / Schneider (acti9) / L&T aeu / Siemens (betaguard) / Hanger (Novello +)
4	Feeder Pillar	OEAof Schneider/siemens/ABB/L&T/Legrand
5	Air Circuit Breaker	Siemens (3WL) / L&T (omega) / Schneider (Master pact NW)/legrand dmx
6	MCCB	L&T (d sine) / Schneider (Compact NSX) / Legrand (DPX) / Siemens (Sentron- 3VL)/ABB(Elegance )
7	MCB	Legrand / ABB / L&T / Schneider / Siemens /Hanger
8	RCCB / RCBO / ELCB	Legrand / ABB / L&T / Schneider / Siemens /Hanger
9	ON LOAD change over switch	L&T / HPL- Socomec / Schneider / Siemens
10	Fuses	Legrand / L&T / Schneider / Siemens/ABB
11	Contactors	Legrand / L&T / Schneider / Siemens/ABB
12	Relays	ABB / L&T / Siemens / Schneider
13	Timer	ABB / L&T / Siemens / Schneider/Hanger
14	Indication Lamps (LED)	L&T / Siemens / ESPEE / Essen / C&S-Raas control
15	Selector Switch / Push Button	Siemens / Key Cee / BCH / L&T / Rishabh
16	Instruments (A / V / Frequency)	A M / A E / IMP / Rishabh / Minilec
17	Digital Meter / Multifunction	L&T / Schneider / Conzerv / AE / Neptune / Rishabh / Minilec/legrand/ABB
18	Meters	
19	Digital Energy Meter	L&T / Conzerv / Secure / Rishabh / Minilec
20	Terminals	Elmax / Tosha / Essen / Wago / Connectwell
21	Clamp-on type terminal strip	Elmax / WAGO/3M
22	CT & PT	AE / Ind Coil / L&T / Kappa / Rishabh (CTs only) / Neptune
23	L T Armored-AI / Cu Cable: (XLPE) Control Cable-Cu:	Gloster / RR kable / KEI / Havells / polycab
24	(PVC)	
25	Lugs / Thimbles etc.	Dowells / Reychem / Commet
26	Compression Glands	Commet / Dowells / Siemens / Raychem / Gripwell/HMI
27	PVC insulated single core	Gloster / RR kable / KEI / Havells / polycab
28	stranded Cu wire-(CI-2)	
29	Ladder type & Perforated Cable tray (IEC/IS)	OBO Betterman / RMCN / Norpack/AKG

<b>S NO</b>	<b>DESCRIPTION OF ITEM</b>	<b>MAKE</b>
30	Wire Cable Tray (IEC)	OBO Betterman / Legrand / Norpack/RMCON
31	PVC Conduit / Accessories	AKG / BEC / Preceision/ norpack
32	HDPE PIPE	Dura-line / Rex Poly-extrusion / Tirupati /Oriplast / Hariplast/ Shakya polymer
33	Steel Conduit / Accessories	RM CON / BEC / AKG/ Norpack/ Steel Craft
34	Steel Pipes	jindal-Hissar /sail/ Tata
35	Switches and Sockets	Legrad(myrius)/Schneider(zencelo)/Crabtree(athena)
36	Metal Clad Industrial Power Socket with MCB	Legrand / Siemens / Hager
37	Weather-proof Industrial plug & socket 3/4/5/6 pin	Schneider / Legrand / C&S-Gewiss / Cape Electronics
38	Raceway	Legrand / MK / OBO Bettermann
39	Unit DOL/Star-Delta Starters	L&T / Schneider / Siemens/ABB
40	Luminaries (Indoor)-LED	Indigenous: Signify/Trilux/Regent/Lighting Technology/Bajaj/crompton/wipro
41	Luminaries (Outdoor)-LED	Indigenous: Signify/Trilux/Regent /Lighting Technology /Bajaj/crompton
42	Flame Proof Luminaries	Baliga / FCG / Bajaj / Cromton/Klite
43	Exit signage	Bajaj/Prolite /Instapower
44	Ceiling fans(BLDC fan)	Bajaj / Crompton / Usha / Havells / Orient
45	Exhaust fans	Bajaj / Crompton / Usha / Kruger
46	D G Set	Jakson-Cummins / Caterpillar / MTU/Sterling
47	Anti-vibration mountings	Dunlop/ GERB/ RESISTOFLEX /Easy Flex
48	Servo Voltage Stabilizer	Automatic Electric / Piyush (PACT) / Servel / Consul-Neowatt /V-Guard
49	L T Capacitor bank	Epcos-TDK / L&T / ABB / Schneider / Legrand
50	APFC Relay	L&T / Epcos-TDK / Legrand / Schneider / Neptune (Ducati)
51	Active Harmonic Filter	P2 Power / Schneider / Siemens / Delta / L&T
52	SPD	OBO Bettermann / DEHN / ERICO / Legrand/ Eaton
53	Lightning protection system	OBO Bettermann / DEHN / ABB /Erico /JEF/ Stromking
54	Street Light Pole	Bajaj / Transrail / Valmont /crompton
55	Lifts & Escalator	Otis / Kone / Schindler / Johnson Lift / ThyssenKrupp/Mistubish
56	ON LINE UPS (with Inbuilt isolation transformer	Rillo / Legrand-Numeric / Vertiv/APC



<b>S NO</b>	<b>DESCRIPTION OF ITEM</b>	<b>MAKE</b>
57	SMF chargeable Battery	Exide / Amar raja / AMCO/Amaron
58	Occupancy Sensors	Honeywell/ Schneider/ Legrand/crabtree
59	<b>HT Equipment</b>	
60	Transformer (33/0.433KV-Dry)	CG/ ABB / Siemens/Toshiba
61	Transformer (33/0.433KV-Oil)	Voltas/ABB/Esenner/Toshiba /OTPL/ALFA/OEU
62	Vacuum Circuit Breaker	Schneider / ABB / Siemens / Crompton
63	Ring Main Unit (RMU)	Schneider / ABB / Siemens / C&S
64	33/11KV (E/UE) XLPE Cable	RR kable / KEI / Havells / polycab /Glostar
65	33/11KV Cable Termination Kit	Raychem / MECP-M Seal / 3M
66	CAT6A cable	Legrand / Systemax/Digisol
67	<b>Data Lan Equipment</b>	
68	Network Switches	Cisco/ Alcatel-Lucent/ Arista/Digisol
69	Wireless	
70	Rack with accessories	Netrack / Rittal / Valrack/Legrand
71	Patch panel	Legrand / Systemax/ Digisol
72	Cable Manager	Netrack / Rittal / Valrack/Legrand
73	Hardware Packet	Netrack / Rittal / Valrack/Legrand
74	Patch Cord	Legrand / Systemax/ Digisol
75	RJ-45 Connector, Socket with plate	Legrand / Systemax/ Digisol
76	Information outlet (I/O)	Legrand / Systemax/ Digisol
77	OFC Cable	Legrand / Systemax/ Digisol
78	FIBRE Cable	Legrand / Systemax/ Digisol
79	Workstation PC / Laptop	Dell / HP / Lenovo
80	LED Screens	Sony / BARCO/ SAMSUNG/LG
81	CAT 6A cable, LIU and other Passive	Legrand / Systemax/ Digisol
82	Components	
83	Media Converter	Legrand / Systemax/ Digisol
84	Patch Cords	
85	Server rack	Netrack / Rittal / Valrack/Legrand

S NO	DESCRIPTION OF ITEM	MAKE
86	Firewall	Cisco/Sonic wall/Palo Alto Network/Gajshield
87	Access Control	Bosch/ / Honeywell/ Software House/ Lenel/ Gallagher
88	Tripod Turnstile - Motorised	Boon edams, Houston Security, Kaba, magnetic, Hikvision
89	Vehicle Boom Barrier	Magnetic, Ravel, Automatic Systems, Elgo, Fadini , Hikvision
90	X Ray Baggage Scanner	Astrophysics and Smith Detection. Hikvision
91	UNDER VEHICLE SERVEILLANCE SYSTEM (UVSS)	Housys, Gatekeeper, ECIL, ATSS. Hikvision
92	Door Frame Metal Detector (DFMD) & HHMD	Ravel, Smiths Detection, Garrett, Rapiscan, Astro physics., Hikvision
93	DISTRIBUTED ANTENNA SYSTEM (DAS or IBS System)	Cellcom, Ericsson, COBHAM

All the electrical work shall be done as per Standard specifications.

The General Technical Specification of Electrical Works will be as per the Bill of Quantities, provision within DSR/SOR, IS Codes, Building Codes, approved drawings, CPWD Specifications, Standard Norms and standard specifications of particular works.

### 11.0 PHE WORKS

General Technical Specification of PHE Works

The General Technical Specification of PHE Works will be as per the Bill of Quantities, provision within CPWD DSR, IS Codes, Building Codes, approved drawings, Standard Norms and standard specifications of particular works.

List of Approved makes for PHE works

Acceptable makes of materials for PHE and Sanitation Materials to be used in the work are enclosed. In case of non-availability of these makes, the Contractor can use the alternative makes only BIS marked materials after approvals. Non BIS marked materials may be permitted by the WAPCOS only when BIS marked materials are not manufactured.

S NO	DESCRIPTION OF ITEM	PROVISION	MAKE
1	<b>INTERNAL WATER SUPPLY</b>		
1.1	Rainwater Pipes & Fittings		Oriplast / Supreme/Ajaya/ Ashirvad/ Prince
1.2	Pumps & Motors	Dewatering Pumps	Kirlosker/ Crompton Greaves/ Texmo/ Suguna or Equivalent
1.3	RCC Pipes (NP2 Class)	For Storm Water Drain	Indian Hume Pipe / RMC or Equivalent
1.4	CP Pipe		Supreme/Astral/ Finolex /Ashirvad

S NO	DESCRIPTION OF ITEM	PROVISION	MAKE
1.5	CP Fittings	Bib Cock/ Stop Cock/ Angle Valve / Push type Pillar Cock / Flush plate	Hindware (Queo)/Jaquar (Artize)/ Cera/Parryware
1.6	CP Accessories	Towel Rail (600 mm)/ Soap Tray/ Paper Holder/ Robe Hook/ Bottle Trap etc	Hindware (Queo)/Jaquar (Artize)/ Cera/ Parryware
1.7	Overhead Tank	GRG Tank	Sintex / Plasto/ Prince / Supreme
1.8	Sewage Treatment Plant (MBBR Technology)	70 KLD STP_ Modular	WABAG / Ion Exchange / Thermax or Equivalent
1.9	Sewer Bricks (IS 4885)	For Manhole Construction	Local Approved Vendor
1.10	Plastic Encapsulated Foot Rests (IS 10910)	For Manhole	Local Approved Vendor
1.11	Manhole Covers (SFRC, IS 12592)	For Drainage and Sewer Manholes	KK Manhole / Hindustan Covers / Neeraj /
1.12	Water supply line valves	Gate Valve/Check Valve/Ball Valve etc	Leader/ Zoloto Valves / Alton
1.13	HDPE DWC Pipes (SN8, IS 16098)	For Drainage & Sewer Network	Kisan / Supreme / Astral or
<b>2</b>	<b>INTERNAL SEWERAGE</b>	UPVC SWR Pipe	Astral/Supreme/Hind

## 12.0 FIRE FIGHTING WORKS

Technical Specifications of Fire Fighting works

The General Technical Specification of Fire Fighting Works will be as per the Bill of Quantities, provision within CPWD DSR, IS Codes, Building Codes, approved drawings, Standard Norms and standard Specifications of particular works.

List of Approved Makes for Fire Fighting Works

Acceptable makes of materials for Fire Fighting works to be used in the work are enclosed. In case of non-availability of these makes, the Contractor can use the alternative makes only BIS marked materials after approvals. Non BIS marked materials may be permitted by the WAPCOS only when BIS marked materials are not manufactured.

S NO	DESCRIPTION OF ITEM	PROVISION	MAKE
	<b>FIRE FIGHTING SYSTEM</b>		
1	Hydrant valves		BOSCH/ HONEYWELL/ EDWARD
2	Fire alarm		BOSCH/ HONEYWELL/ EDWARD
3	Panel		BOSCH/ HONEYWELL/ EDWARD

S NO	DESCRIPTION OF ITEM	PROVISION	MAKE	
4	Smoke detector	AS PER IS 5309	BOSCH/HONEYWELL/EDWARD	
5	MS Pipe/GI Pipe		Jindal Hissar / Jindal Star/ Tata/ Apollo	
6	Orifice Plate		Minimax/ Newage/ Safex	
7	Ball Valve		Zoloto / Sant/ Leader /Advance	
8	Butterfly Valve		Zoloto / Sant/ Leader /Advance	
9	Non-Return Valve		Sant / Zoloto /Advance	
10	Air Cushion Tank		Site fabricated with MS Pipe	
11	Rubber Expansion Joint		Resistoflex/ Easyflex/ Diamond / Dunlop/ Cori	
12	Landing Valve		Minimax/ Newage/ Safex	
13	CP Hose		Minimax/ Newage/ Safex	
14	RRL Hose		Minimax/ Newage/ Safex	
15	Branch Pipe		Minimax/ Newage/ Safex	
16	Standard Fire Man Axe		Minimax/ Newage/ Safex	
17	Fire Brigade 2 Way Inlet		Minimax/ Newage/ Safex	
18	Fire Brigade 4 Way Inlet		Minimax/ Newage/ Safex	
19	Fire Brigade Suction Hose Coupling		Minimax/ Newage/ Safex	
20	Fire Hose Cabinet Internal		Fabricated Required Standard	
21	Fire Hose Cabinet External		Fabricated Required Standard	
22	Fire Extinguisher		Minimax/ Safex/ Cease Fire / Supremex	
23	Pressure Gauge		H. Guru/ Fiebig/ Warree / H.D/ BRC	
24	Flow Indicating Switches		Honeywall/ Tyco / System Sensor	
25	Pressure Switches		AS PER IS 5309	Danfoss / Indfoss / Feibig
26	Sprinklers			Tyco / HD / Viking
27	Gas Flooding System			Minimax/ Newage/ Supremex
28	Fire Sealant	Wruth / Fischer / 3M India		
29	Inspection & Testing Assembly	Minimax/ Newage / Sant		
30	Flexible Hose Pipe	Minimax/ Safex / Newage / HD		
31	Pot Strainer/Y Strainer	Zoloto/ Sant / Leader		
32	Suction & Delivery Header	Tata / Jindal Hissar / Apollo		
33	Installation Control Valve Assembly	HD (UL Listed)/ Viking (UL Listed)		

S NO	DESCRIPTION OF ITEM	PROVISION	MAKE
34	Fire PUMPS (UL Listed)		Grundfos / Mather & Platt / Xylem /Armstong
35	Motors for Fire Pumps		CGL/ ABB / Wilo
36	Deluge Valve		Safex / Tyco/ HD
37	Anti-Vibration Pad		Cori Dunlop / Diamond Pipe Support /Easyflex Flexionics/ Resistoflex
38	Pipe Protection Pypcoat wrapping		IWL / Shalimar
39	Detectors & Devices- Intelligent multi criteria detector, smoke, heat & duct detectors, control & monitor module, fault isolator, hooters etc. Addressable Main Fire Alarm Panel with Digital Voice Evacuation System , All's shall comply to UL Listed		Honeywall-Notifier /Edward/Siemens
40	Public Address & Back ground music system		Honeywell / Bosch / LDA audiotech
41	Forged Fittings		SS / VS / True Forge
42	ERW / butt Welded Fittings		MEC(Jainsons)/ Unik
43	Groove Fittings		Victaulic/ Jainson/ New
44	Air Pressure Valve		Minimax/ Newage / Sant / Leader
45	C.I. Double Flanged Sluice Valves		Zoloto/ Sant / Leader
46	C.I. Double Flanged Non Return Valves		Zoloto/ Sant / Leader
47	Foot valve with Strainer		Zoloto/ Sant / Leader
48	Fire Supression		Fireboy/ Supremex/ Sevo
49	Fire Cutain System		Supremex/ Cutail Fire / Fire Barrier

#### 14.0 HVAC WORKS

Technical Specifications of HVAC works

The General Technical Specification of Fire Fighting Works will be as per the Bill of Quantities, provision within CPWD DSR, IS Codes, Building Codes, approved drawings, Standard Norms and standard specifications of particular works.

List of Approved Makes for Fire Fighting Works

Acceptable makes of materials for Fire Fighting works to be used in the work are enclosed. In case of non-availability of these makes, the Contractor can use the alternative makes only BIS marked materials after approvals. Non BIS marked materials may be permitted by the WAPCOS only when BIS marked materials are not manufactured.

S NO	DESCRIPTION OF ITEM	MAKE
	<b>HVAC</b>	

S NO	DESCRIPTION OF ITEM	MAKE
1	2-Way/ 3-Way Pressure Independent Balancing & Control Valve and Actuator	Danfoss /Belimo /Honeywell/ Flowcon
2	Adhesives for Insulation	Pidilite SR- 998/ Paramount Polytrear/ Armacell
3	Adjustable Frequency Drive/ Automatic AFD Bypass/ Pump Controller/ Differential Pressure Sensor/ Transmitter	ABB/ Danfoss/ L&T
4	Air cooled package units	Danhumbush/York/ Daikin/Trane/ Carrier
5	Air & Dirt Separator/Dirt Separator	Spirotech/ Caleffi/ Optivent / Spirotherm/ Anergy
6	Air Distribution (Ducting) -GI/GSS Sheets	SAIL / TATA Steel/ Jindal
7	Air Handling Units with Coils etc.	VTS/ System Air/ Flaktwood
8	Air Purifier	Daikin/Sharp/Pureair
9	Air washer	VTS/ System Air/ Flaktwood
10	Aluminium Sheet for Ducts	Jindal/ Hindalco/ Balco
11	Automatic Air Vent	Anergy / Rapid Cool/Emerald/CIM
12	Axial Flow Fans	Kruger/ REVO/ Crystal/ Greenheck/ Airflow
13	Balancing Valves (Water Duty)	Advance /Honeywell/Danfoss
14	Ball valves (With & W/o strainers)	Audco /Advance/ L&T /Zoloto Emerland
15	Butterfly Valves (Water Duty)	Audco /Advance/ L&T / Zoloto
16	Air Conditioning Unit	Daikin/Voltas/Equivalent/As approved by Engineer In-charge
17	Cable Lugs/Thimbles/Glands	As per Approved Makes of Electrical Works
18	Cable Tray	As per Approved Makes of Electrical Works
19	Centrifugal Fans/Fan section/Plug Fans	Kruger/Nicotra/ Greenheck
20	Check Valve/Foot Valve/Sluice Valve/NRV	Audco /Advance/ L&T / Honeywell
21	Chilled Water Pump (Primary/Secondary)/ Condenser/Hot Water Pumps etc.	Grundfos/Xylem/ Armstrong
22	Control Cables	As per Electrical Makes
23	Cooling Tower	Bell / Paharpur/Advance
24	CO/CO2 Sensor	ELT /Amphenol/harmontronics
25	CPRX Compound/Tar felt	Shalimar tar product / Asian / Pidilite
26	DRY Scrubber	Crystal/ Trion/ Airwave
27	Duct Dampers/Grills/Diffuser/ VCD/ Collar Damper etc.	Duct / Collar Damper / VCD--Caryaire / Systemair / Tristar / Ruskin Titus For Grills / Diffusers - Caryaire / Systemair / Tristar / Ruskin Titus
28	DX Coils Air Cooled	Zeco/ VTS/Flaktwod/Crystal

<b>S NO</b>	<b>DESCRIPTION OF ITEM</b>	<b>MAKE</b>
29	Dehumidifier a) Portable Type	Sharp/Honeywell/aprilaire
30	Centralised Dehumidifier	Bryair/Casilica/origincorp
31	Electric Motor	ABB/ Siemens/ Crompton Greaves / Havells-Lafert
32	Electric motor (Fire Rated)	Marathon/ Havells-Lafert
33	Expansion Tank (closed type)	Xylem/ Armstrong/ Grundfos
34	Factory Fabricated Duct & Flanges	Crystal/ Zeco / Ductofab / Technofab/ GPS Spiro
35	Fan Coil Units with Fans	REVO/ Crystal/ Balance Air/ Edgetech/ Zeco
36	Fasteners-Dash	HILTI / Fischer / Cannon / Wurth
37	FCU Copper Connection Set/ FCU Link	ATS/ Oventrop/ CSI
38	Filters -Pre/ Fine/ Hepa& BIBO	Thermadyne / Spectrum/ Camfil / AFI / Ultra-Pure
		EAC - Zeco / Honeywell / RydAir / Ultra-Pure
39	Fire Damper Actuator	Belimo/Siemens/Honeywell
40	Fire Dampers / Smoke Dampers	Trox/ Greenheck/Ruskin Titus/Systemair
41	Flexible Duct Connection	Airflow/ Pyroguard / Rolastar/ UP Twiga
42	Flexible Pipe Connection	Resistoflex/ Easyflex/ Diamond/ Dunlop
43	FRP lining for condenser piping	Owen-corning/UP Twiga/Binani
44	GI/ MS Piping (chilled/condenser/drain/hot)	Jindal-Hissar/TATA/SAIL
45	Globe/Gate Valve	Audco / Advance /L&T / zoloto
46	Heat Recovery Exchanger/ Ventilator/ Wheel	Ostberg/DRI / Flaktwoods/ BryAir
47	Hot Water Generators	KEPL / Rapid cool /Enmax
48	Humidifier	KEPL / Rapid cool /Enmax
49	Inline Fans	Kruger / Nicotra/ Greenheck/Ostberg/Caryaire
50	Insulation material	
a	Fiber Glass – Aluminium faced Insulation	UP Twiga / Owens Corning/Kimmco
b	Polyurethane Foam (PUF) Insulation	Styrene Packaging & Insulations/Lloyd Insulations
c	Nitrile Rubber /EPDM Insulation with antimicrobial	K-Flex/Superlon/Armacell/ Thermobreak
d	XLPE Insulation	Supreme/ Trocellene/ Paramount
e	Expanded Polystyrene Insulation	Styrene Packing/ Mettur Beardsell/ Toshiba/ Thermobreak

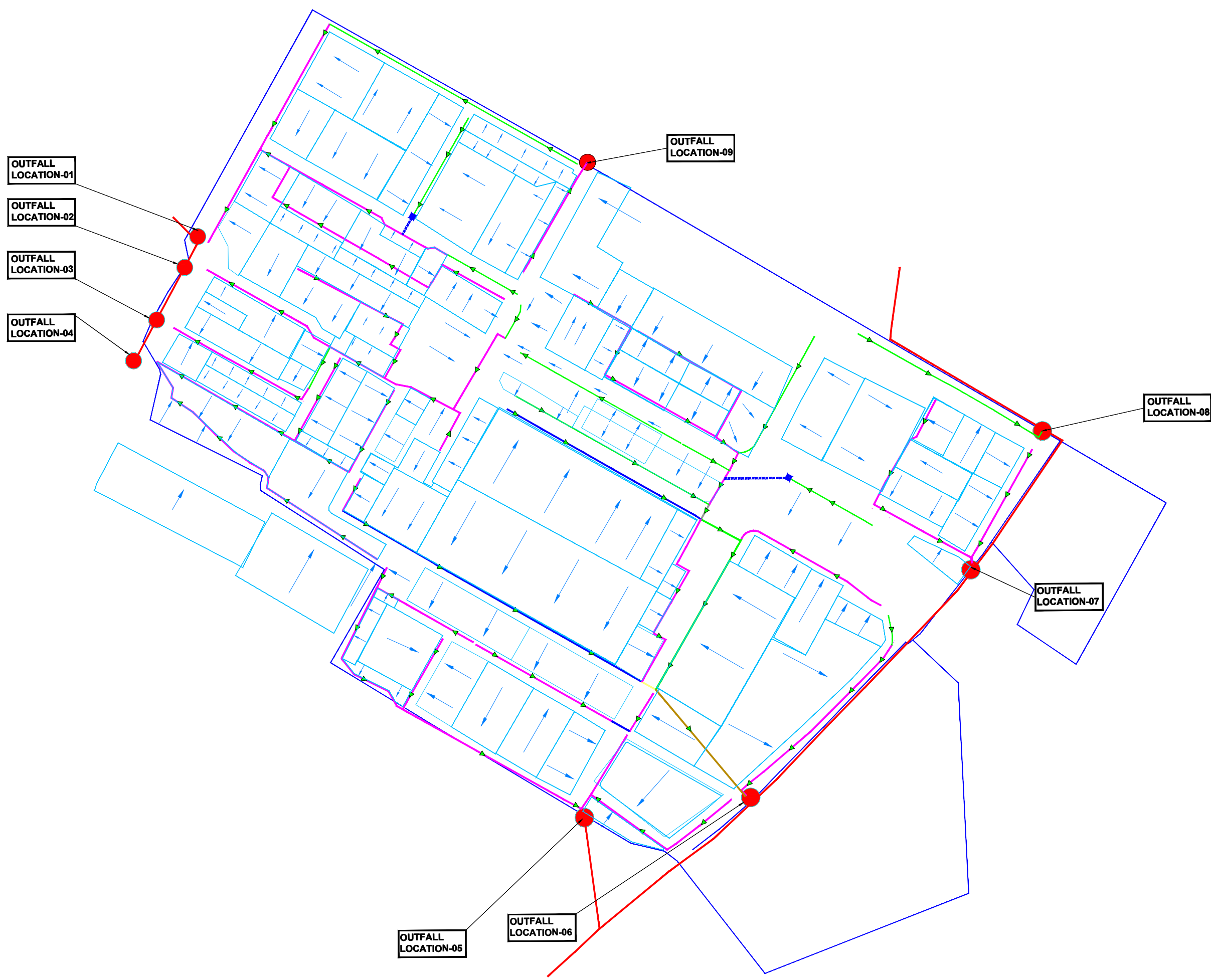
<b>S NO</b>	<b>DESCRIPTION OF ITEM</b>	<b>MAKE</b>
51	Jet Fans	Nicotra/ Greenheck/ Airflow / sysmair
52	Air Separator	Hydronic Solutions
53	Magnehelic Gauges	Mitbraus Instruments/ Dwyer / Omicron
54	Motorized Butterfly Valve	Honeywell/Belimo/Danfoss/Siemens
55	Paints	As per Civil Works Makes
56	Pre insulated Ducts	UP Twiga/ Asawa
57	Pipe Supports	Easyflex/ Resistoflex/ Diamond
58	Pipe Supports-PUF	Llyod insulation/ Malanpur/ Beardsell
59	Pot Strainer	Sant/ VTM/ Rapid Cool/ Zoloto
60	Power Cables	As per Electrical Makes
61	Pressure /Temperature Gauges	H.Guru / Feibig / Warree/H.D/BRC
62	Propeller Fans	System Air/ Crompton/ Khaitan/ Alstom/ Bajaj
63	Thermostat /Humidistat	Honeywell / Johnson / Siemens
64	Purge Valve/ Drain Valve	Anergy/Sant / zoloto / Honeywell
65	PVC /uPVC pipe	Polypack/ Supreme/Astral/Finolex
66	Red Oxide/ Zinc Chromate Primer	As per Civil Works Makes
67	Refrigerant Copper Pipes	MANDEV Tubes/Rajco Metal/Mehta Tubes (Max Flow)
68	Room Thermostat	Honeywell/ Johnson/ Siemens
69	RP Tissue	UP Twiga/ Styrene Packing or equivalent
70	Pressurised Expansion tank	Hydronic Solutions
71	Split AC Units	Mitsubishi / O - General / Toshiba / Hitachi
72	Starters/ change over switch/ push buttons/ Indication Lamps/ Rotary switches/ 1- phase preventor/ Soft starter/ MCB/ MCCB/ ACB/ Contactor etc.	As per respective Electrical Makes
73	Strip Heater	Das Pass/ Escorts/KEPL
74	UV & Weather protective Coating	Pidilite/ Foster/ Amicon
75	UVGI System (Ultraviolet Germicidal-Irradiation System)	Ruks/ Trimed/Pure Air/Magneto
76	V Belt	Dunlop/ Fenner/ Hilton
77	Vacuum Degasser	Spirotech/ Optivent/ Caleffi/ Comfort/ Spirotherm
78	Variable Frequency Drive	Siemens/Danfoss/ABB/ L&T
79	VAV Box	Trox/ System Air / Ruskin Titus / Johnson's Control



<b>S NO</b>	<b>DESCRIPTION OF ITEM</b>	<b>MAKE</b>
80	VRV/ VRF Outdoor/ Indoor Units/ Refnet Joints/Remote Controllers	O - General/ Mitsubishi Electric/ Daikin/ Toshiba
81	Water/Air cooled Screw/Scroll/Centrifugal Water Chillers	Danhumbush/York/ Daikin/Trane/ Carrier
82	Water Flow Switch	Honeywell/ Belimo/ Rapid Cool
83	Welding Rod	Advani/ Vector/Mangalam
84	Y- Strainer	Sant /Emerald/ Rapid cool
85	BMS - System	Inferrix/Siemens
85	LIFT/ELEVATORS	Thyssenkrup/ Mitshubishi/ Schindler/ OTIS/ KONE
86	GI Sheets	TATA / SAIL / JINDAL
87	Starter Panel	EAP / ZEN Power / AC Power / Balaji Electrocontrol
88	Suction Guide with Strainer	Emerald / Anergy
89	Side Stream Filter	Max ion Engineering / Neptune Technologies / Aquaremedies
90	Chemical Dosing System	Ion exchange / Nalco / Verito
91	Test Point / Auto Air Vent / Air Release Valve	Rapid Cool / Anergy / Flamco
92	Flexable Duct	Mapro / Resistroflex / U P Twiga / G P Spira
93	Fire Retardent Canvas	Armaduct / Climatech
94	Sound Attenuator	Rustkin Titus / Intertec / Cosmos / Cynor
95	Fire Sealent	3M / Hilti / Wruth
96	Fire Retardent Coating	Flembar / Paramount / Promat
97	Adsesive	Pidilite / SR 998 / OEM recommended
98	Al. Tape / Foil	K Flex / Rido flex / Armacell
99	PUF Insulation	Llyod Owen - Connings / Beadshell / Malanpur
100	Thermocoal Pipe Section / Slab	Beadshell / Astha Polymar
101	UPVC / CPVC Pipes	Supreme / Prince / Polypac / Astrall

**SECTION VIII**

**TENDER DRAWINGS OF THE PROJECT**



LEGEND	DESCRIPTION
	CATCHMENT MARKING
	PROJECT AREA BOUNDARY
	SAUCER DRAIN
	450MM WIDE DRAIN
	600MM WIDE DRAIN
	750MM WIDE DRAIN
	TO BE DEVELOP BY AVNL
	EXTERNAL DRAIN
	EXTERNAL DRAIN NODE
	STORM WATER DRAIN NODE
	BRICK CHAMBER 600X600X750
	R.C.C NP2 PIPE 150MMØ

SUBMITTED BY  
 ROPEWAYS DIVISION, 2ND FLOOR, PLOT NO.- 62, INSTITUTIONAL AREA, SECTOR-18, GURGAON - 122015 (HARYANA)  
 PHONE: 0124-2977225  
 EMAIL: ROPEWAYS@WAPCOS.CO.IN

CLIENT  
  
 ARMoured VEHICLES NIGAM LIMITED  
 A GOVERNMENT OF INDIA ENTERPRISE,  
 MINISTRY OF DEFENCE

PROJECT  
 RENOVATION OF ORDNANCE FACTORY AT  
 AMBERNATH, MAHARASHTRA

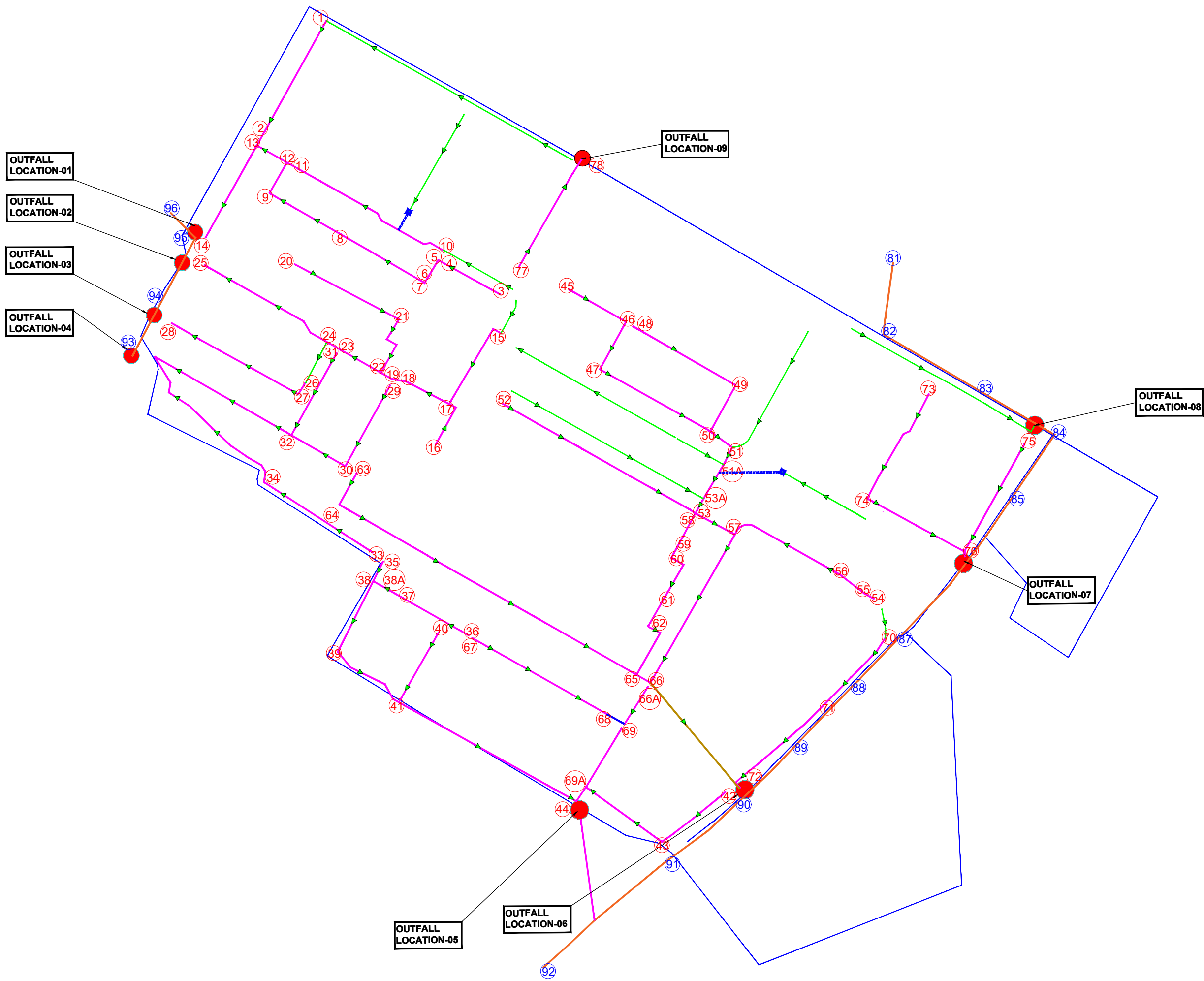
DRAWING  
 PROPOSED CATCHMENT LAYOUT PLAN FOR  
 TENDER PURPOSE

SCALE NTS DATE 31-12-2024

DRAWN	CHECKED	APPROVED
MOHIT RATHORE	RAJAT SINGH	

DRG. NO : DPR/MH/AMBRT/01

REVISIONS				
0				



LEGEND	DESCRIPTION
	SAUCER DRAIN
	STORM WATER DRAIN
	OUTFALL LOCATION
	PROJECT AREA BOUNDARY
	TO BE DEVELOP BY AVNL
	CATCHMENT ARROWS
	EXTERNAL DRAIN
	EXTERNAL DRAIN NODE
	BRICK CHAMBER 600X600X750
	R.C.C NP2 PIPE 150MMØ
	STORM WATER DRAIN NODE

**NOTE-**

- RAIN FALL INTENSITY - 71.77 MM/HR
- STORM WATER NETWORK LENGTH 3450 M
- SAUCER DRAIN LENGTH 900M
- TOTAL DRAINAGE NETWORK LENGTH 4350 M

SUBMITTED BY  
 ROPEWAYS DIVISION, 2ND FLOOR, PLOT NO.- 62, INSTITUTIONAL AREA, SECTOR-18, GURGAON - 122015 (HARYANA)  
 PHONE: 0124-2977225  
 EMAIL: ROPEWAYS@WAPCOS.CO.IN

CLIENT  
 ARMOURD VEHICLES NIGAM LIMITED  
 A GOVERNMENT OF INDIA ENTERPRISE,  
 MINISTRY OF DEFENCE

PROJECT  
 RENOVATION OF MTPF-AVNL AMBERNATH,  
 MAHARASHTRA

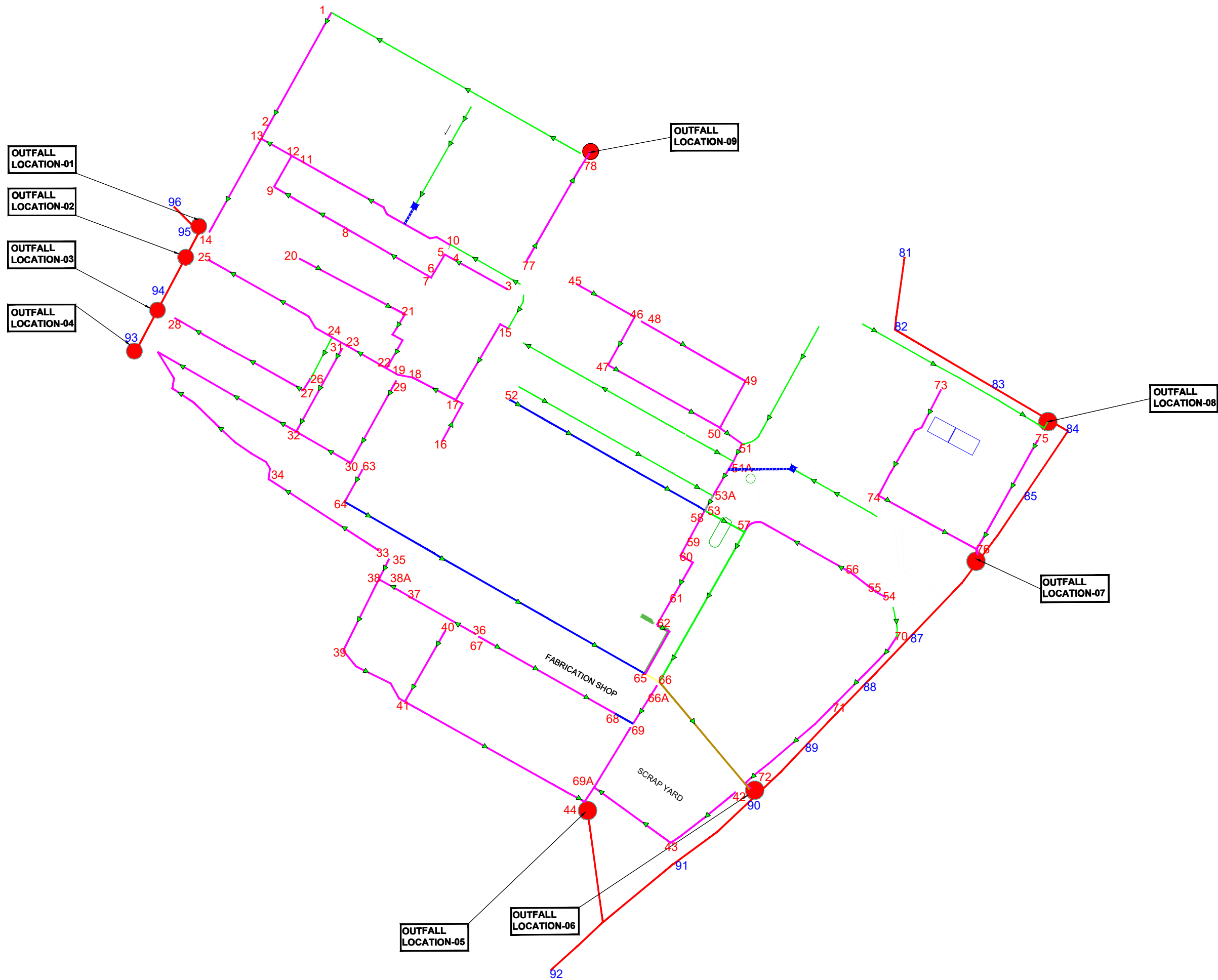
DRAWING  
 PROPOSED STORM WATER DRAINAGE  
 NETWORK LAYOUT & OUTFALL LOCATION  
 FOR TENDER PURPOSE

SCALE NTS DATE 31-12-2024

DRAWN	CHECKED	APPROVED
MOHIT RATHORE	RAJAT SINGH	

DRG. NO : DPR/MH/AMBRT/02

REVISIONS				
0				



LEGEND	DESCRIPTION
	SAUCER DRAIN
	450MM WIDE DRAIN
	600MM WIDE DRAIN
	750MM WIDE DRAIN
	TO BE DEVELOP BY AVNL
	EXTERNAL DRAIN
	EXTERNAL DRAIN NODE
<b>81</b>	STORM WATER DRAIN NODE
	BRICK CHAMBER 600X600X750
	R.C.C NP2 PIPE 150MMØ

STORM WATER DRAINAGE ANALYSIS	
RAINFALL DATA	2024-2016
RETURN PERIOD	2 YEARS
RAINFALL INTENSITY	71.77 MM / HR.
NO. OF OUTFALLS	9 No.

Summary - Internal Drainage Network		
S.No.	Width (mm)	Length (m)
1	450	2835.0
2	600	420.0
3	750	65.0
4	1000	130.0
<b>Total Length (m)</b>		<b>3450.0</b>

Summary - External Drainage Network		
S.No.	Width (mm)	Length (m)
1	1500	164.0
2	2500	103.0
3	3000	295.0
4	3500	103.0
<b>Total Length (m)</b>		<b>665.0</b>

SUBMITTED BY  
 ROPEWAYS DIVISION, 2ND FLOOR, PLOT NO.- 62, INSTITUTIONAL AREA, SECTOR-18, GURGAON - 122015 (HARYANA)  
 PHONE: 0124-2977225  
 EMAIL: ROPEWAYS@WAPCOS.CO.IN

CLIENT  
 ARMOURD VEHICLES NIGAM LIMITED  
 A GOVERNMENT OF INDIA ENTERPRISE,  
 MINISTRY OF DEFENCE

PROJECT  
 RENOVATION OF MTPF-AVNL AMBERNATH,  
 MAHARASHTRA

DRAWING  
 PROPOSED STORM WATER DRAINAGE  
 NETWORK LAYOUT FOR TENDER PURPOSE

SCALE NTS DATE 31-12-2024

DRAWN	CHECKED	APPROVED
MOHIT RATHORE	RAJAT SINGH	

DRG. NO :	DPR/MH/AMBRT/03	REVISIONS
		0

**DRAIN SECTION TYPE A:**

**PURPOSE:** THIS TYPE OF DRAINAGE SECTION IS RAISED 150 MM ABOVE THE ROAD EDGE LEVEL TO FACILITATE THE SMOOTH RUNOFF OF STORMWATER. THE THICKNESS OF DRAIN COVER IS 100 MM.

**JUSTIFICATION:**  
**ELEVATION FOR STORMWATER RUNOFF:** RAISING THE DRAINAGE SECTION HELPS ENSURE THAT STORMWATER RUNOFF CAN EASILY FLOW INTO THE DRAIN. WITHOUT THIS ELEVATION, RUNOFF MIGHT NOT DRAIN EFFICIENTLY, LEADING TO WATER ACCUMULATION AND POTENTIAL ROAD DAMAGE.

**PROTECTION OF DRAIN:** THE 100 MM CONCRETE COVER HELPS PROTECT THE DRAIN FROM DAMAGE AND WEAR, ENSURING ITS LONGEVITY AND FUNCTIONALITY.

**SAFETY:** BY RAISING THE DRAIN, IT REDUCES THE RISK OF DEBRIS OR FOREIGN OBJECTS OBSTRUCTING THE DRAINAGE PATH, WHICH COULD LEAD TO FLOODING DURING HEAVY RAINS.

**LOCATIONS:** THESE RAISED DRAINS SHOULD BE PROPOSED EVERYWHERE EXCEPT AT ROAD CROSSINGS, PLOT ENTRIES, OR AREAS WHERE THE RISE OF THE DRAIN IS IMPRACTICAL DUE TO TRAFFIC MOVEMENT.

**DRAIN SECTION TYPE B:**

**PURPOSE:** THIS TYPE OF DRAINAGE CONSISTS OF BOX DRAINS CONSTRUCTED BELOW THE ROAD TO MAINTAIN SMOOTH TRAFFIC FLOW. DETAILED SPECIFICATIONS ARE PROVIDED IN THE DRAWINGS.

**JUSTIFICATION:**  
**TRAFFIC FLOW:** BOX DRAINS ARE ESSENTIAL FOR MAINTAINING UNINTERRUPTED TRAFFIC FLOW ON THE ROAD. THEY COLLECT AND CHANNEL WATER AWAY EFFICIENTLY WITHOUT IMPEDING VEHICLE MOVEMENT.

**STRUCTURAL INTEGRITY:** CONSTRUCTING BOX DRAINS ENSURES THE STRUCTURAL INTEGRITY OF THE ROAD, PREVENTING DAMAGE THAT COULD BE CAUSED BY WATER EROSION.

**LOCATIONS:** THESE BOX DRAINS SHOULD BE IMPLEMENTED WHEREVER NECESSARY TO MAINTAIN TRAFFIC FLOW.

**SUBMITTED BY**

ROPEWAYS DIVISION, 2ND FLOOR, PLOT NO - 62, INSTITUTIONAL AREA, SECTOR-18, GURGAON - 122015 (HARYANA)  
 PHONE: 0124-2977225  
 EMAIL: ROPEWAYS@WAPCOS.CO.IN



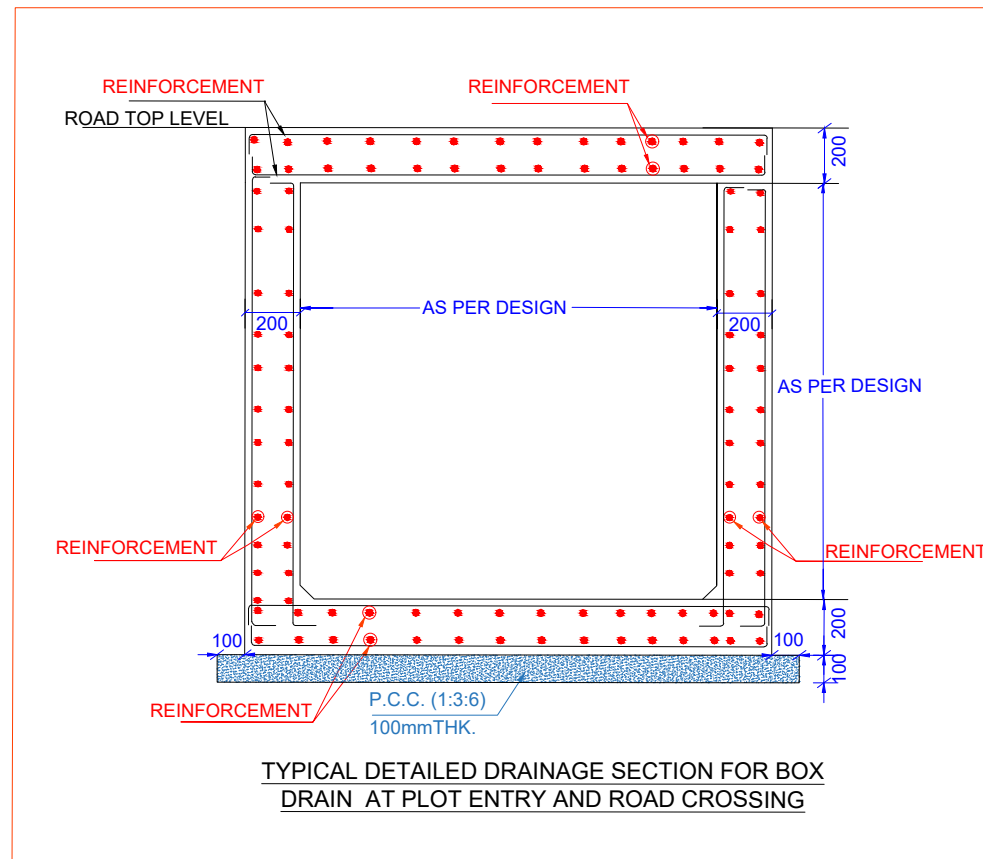
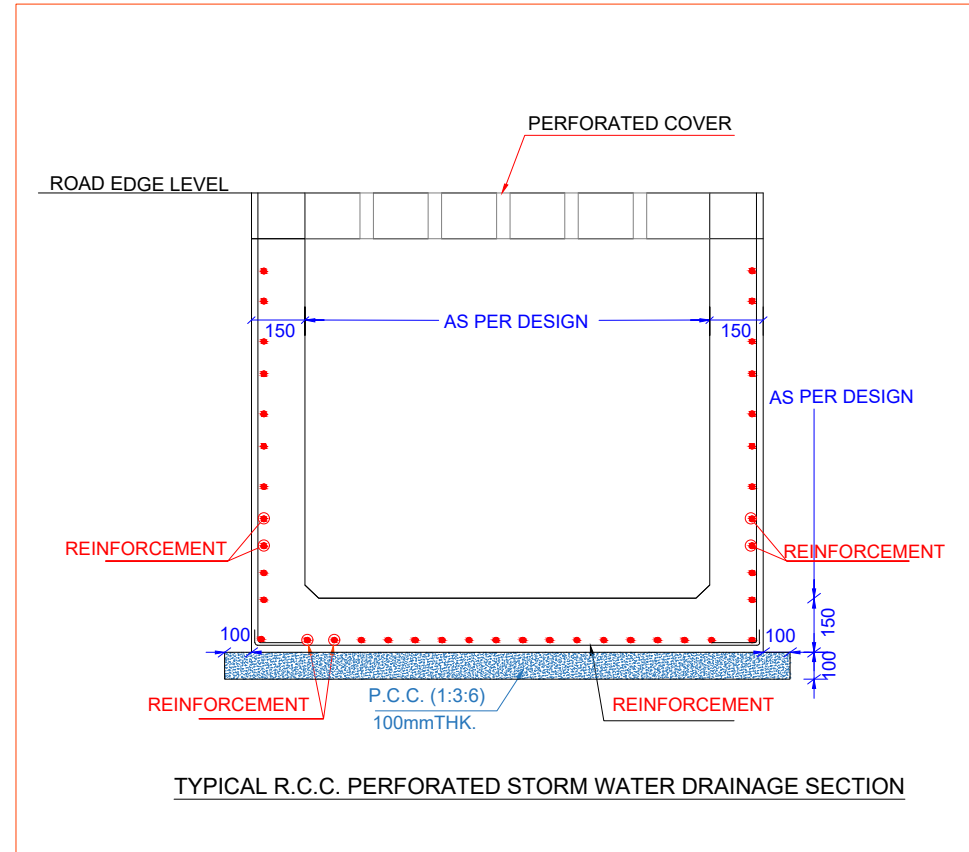
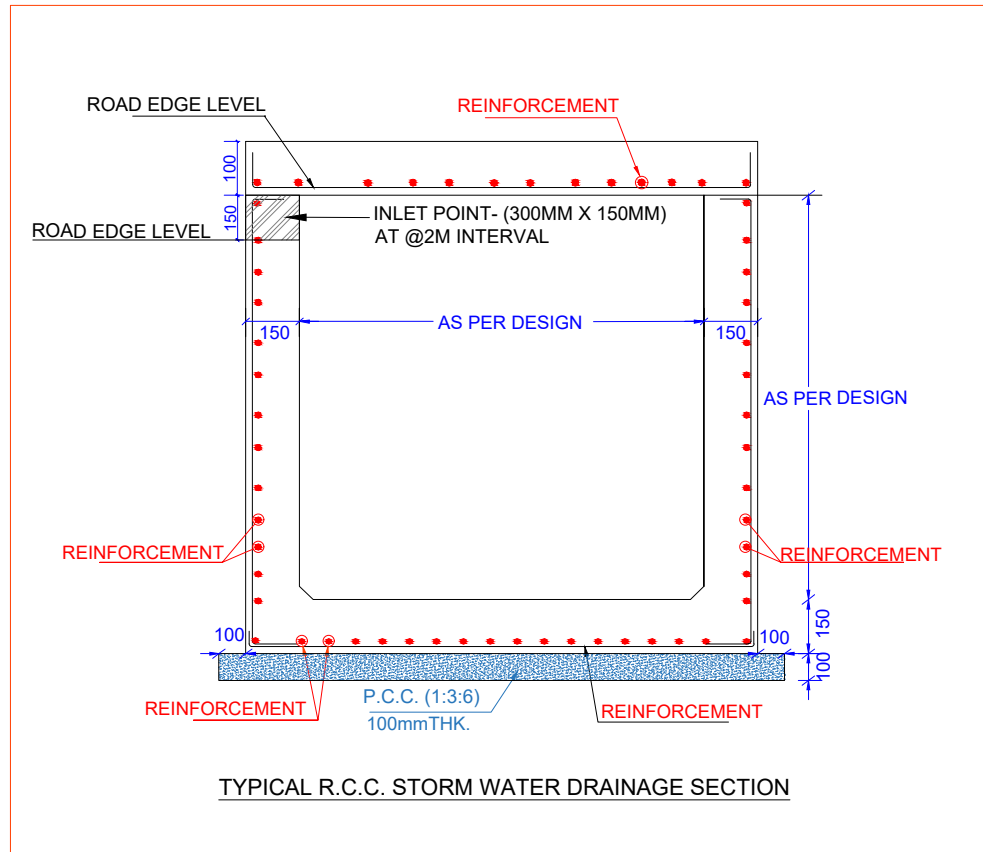
**CLIENT**  
 ARMoured VEHICLES NIGAM LIMITED  
 A GOVERNMENT OF INDIA ENTERPRISE,  
 MINISTRY OF DEFENCE

**PROJECT**  
 RENOVATION OF ORDNANCE FACTORY AT AMBERNATH, MAHARASHTRA

**DRAWING**  
 TYPICAL STORM WATER DRAINAGE CROSS-SECTION For Tender Purpose)

SCALE	NTS	DATE	23-12-2024
DRAWN	MOHIT RATHORE	CHECKED	RAJAT SINGH
		APPROVED	

DRG. NO :	DPR/MH/AMBR/04	REVISIONS	0				
-----------	----------------	-----------	---	--	--	--	--





LEGEND	DESCRIPTION
	SEWER INTERNAL NETWORK
	SEWER NETWORK-150 MM DWC PIPE
	MANHOLE
	PROJECT AREA BOUNDARY
	PROPOSED STP LOCATION
	SEWER NODES

- No. of Occupants = 1000 Nos.
- Water Demand For Industries = 45 lpcd
- Sewage Conversion = 80% of Water Demand
- Proposed STP Capacity = 40KL
- Proposed Sewerage Network Length = 1453M
- Considered Cushion = 0.76M
- Dia of Sewerage Network = 150MM ( DWC )
- No. of Inlets = 19 Nos.
- Maximum Velocity at Initial Points = 0.156m/sec With Minimum Slope 0.6% for 150mm Dia as per ( CPHEEO Manual Chapter - 3 Table No. 3.13)

SUBMITTED BY  
 ROPEWAYS DIVISION, 2ND FLOOR, PLOT NO.- 62, INSTITUTIONAL AREA, SECTOR-18, GURGAON - 122015 (HARYANA)  
 PHONE: 0124-2977225  
 EMAIL: ROPEWAYS@WAPCOS.CO.IN

CLIENT  
 ARMOURED VEHICLES NIGAM LIMITED  
 A GOVERNMENT OF INDIA ENTERPRISE,  
 MINISTRY OF DEFENCE

PROJECT  
 RENOVATION OF MTPF-AVNL AMBERNATH,  
 MAHARASHTRA

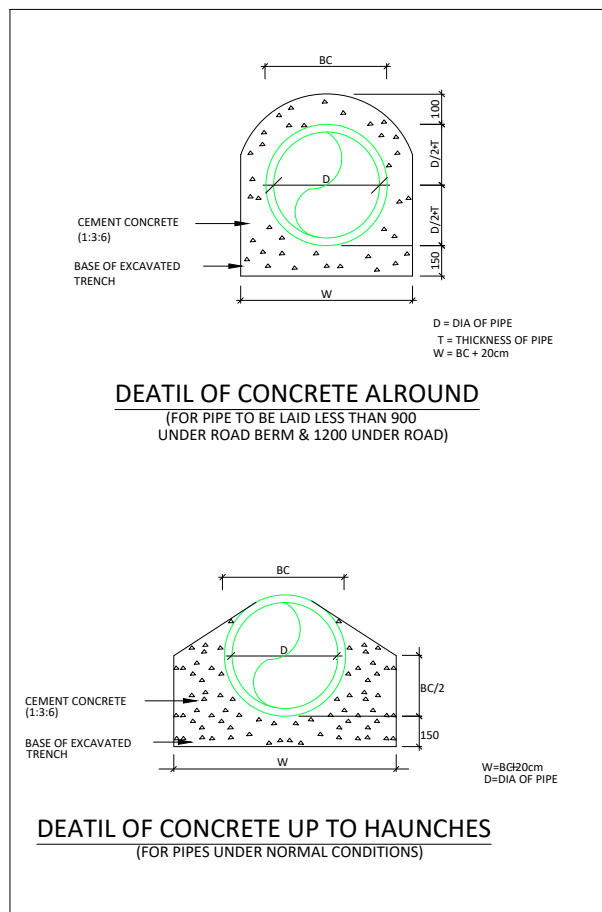
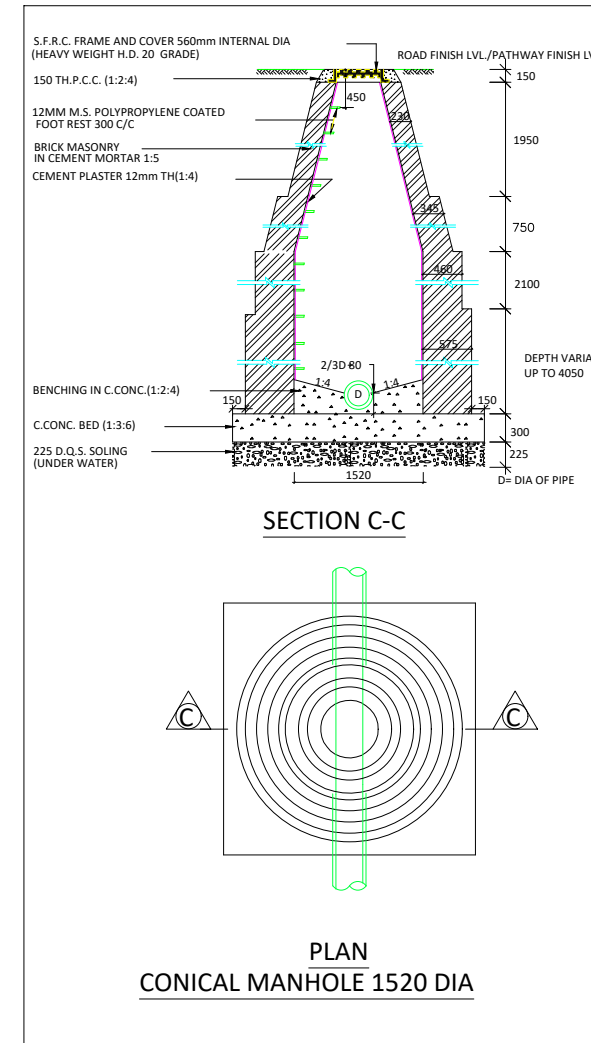
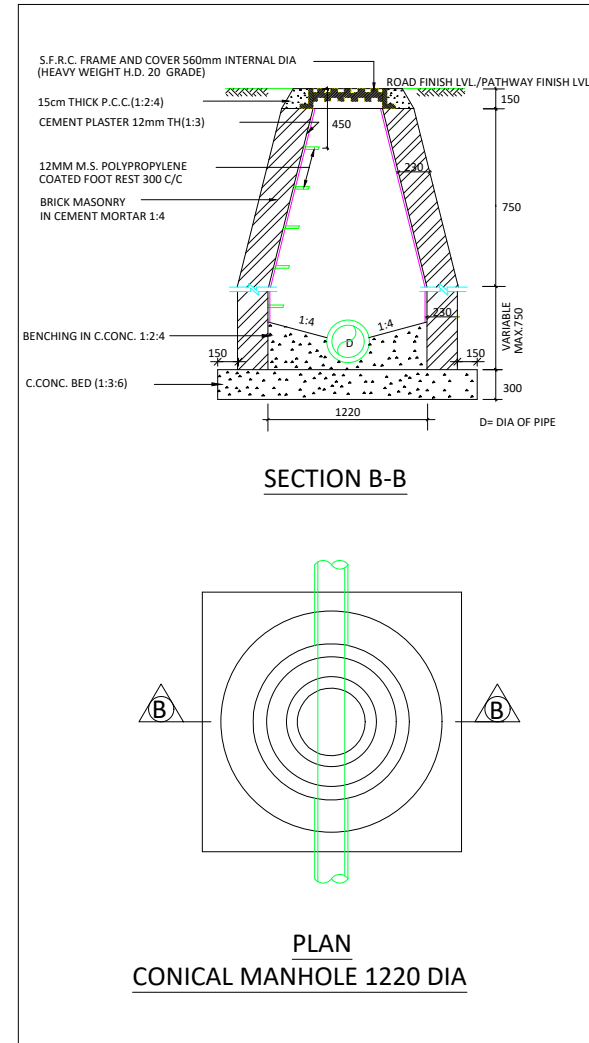
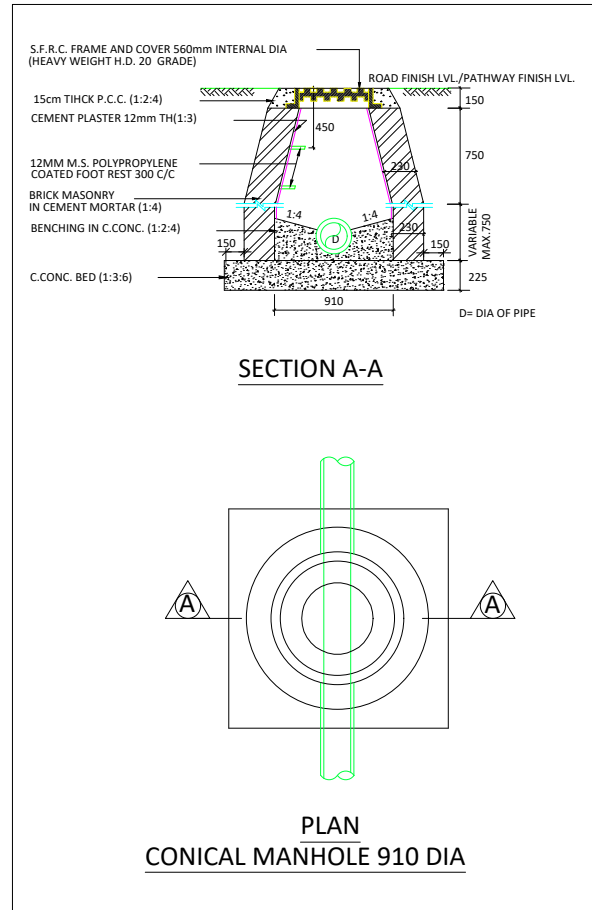
DRAWING  
 PROPOSED SEWERAGE NETWORK LAYOUT  
 PLAN FOR TENDER PURPOSE

SCALE NTS DATE 31-12-2024

DRAWN	CHECKED	APPROVED
MOHIT RATHORE	RAJAT SINGH	

DRG. NO : DPR/MH/AMBRT/05

REVISIONS				
0				



DEPTH	SIZE OF M.H.
0.910m TO 1.67m	910mm DIA
1.68m TO 2.29m	1220mm DIA
Beyond 2.30m	1520mm DIA

\* SIZE OF MANHOLE SHALL BE WITH RESPECT TO DEPTH & DIA OF PIPE WHICH EVER IS HIGHER

SUBMITTED BY  
 WAPCOS  
 ROPEWAYS DIVISION, 2ND FLOOR, PLOT NO.- 62, INSTITUTIONAL AREA, SECTOR-18, GURGAON - 122015 (HARYANA)  
 PHONE: 0124-2977225  
 EMAIL: ROPEWAYS@WAPCOS.CO.IN

CLIENT  
 ARMOURD VEHICLES NIGAM LIMITED  
 A GOVERNMENT OF INDIA ENTERPRISE,  
 MINISTRY OF DEFENCE

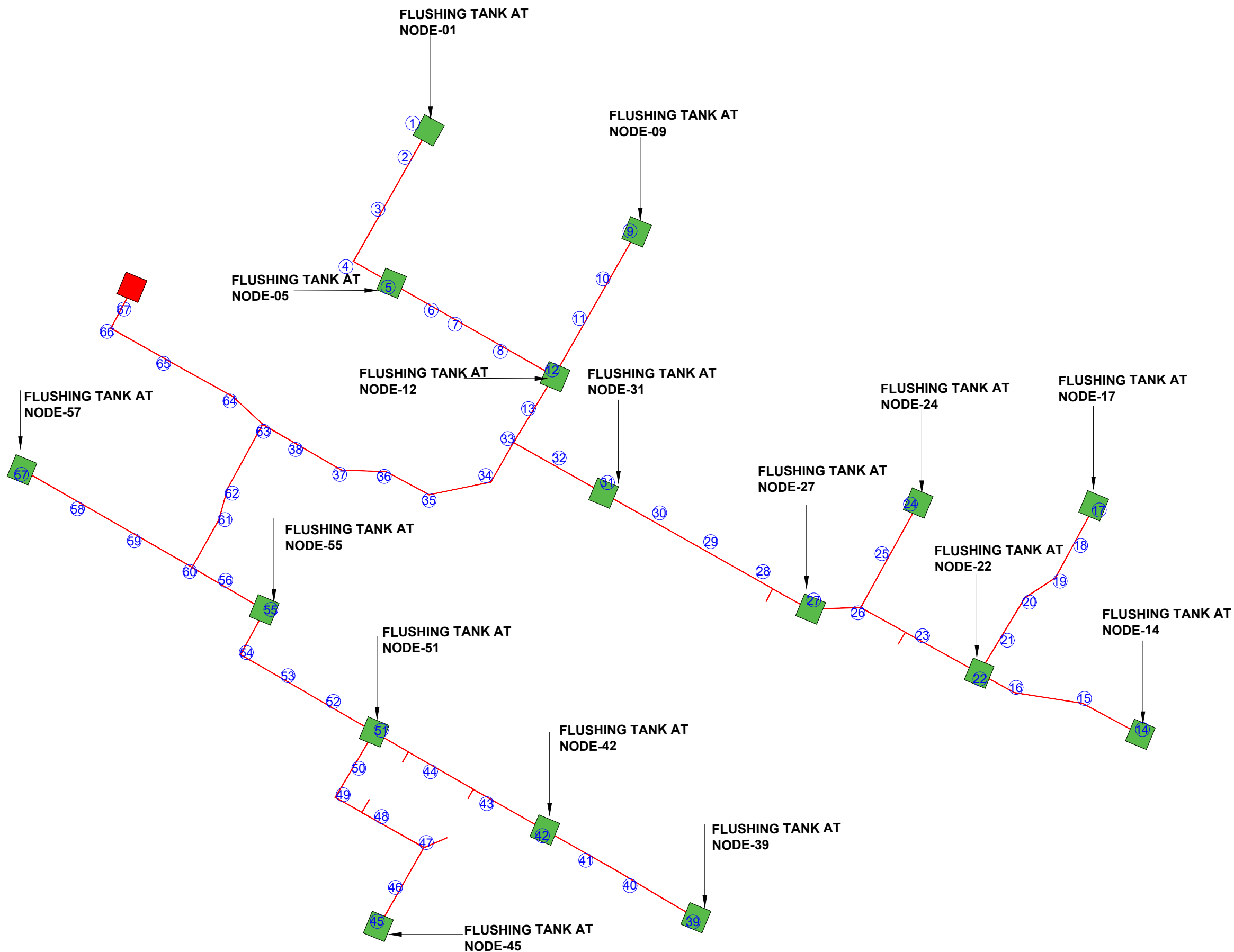
PROJECT  
 RENOVATION OF MTPF-AVNL  
 AMBERNATH, MAHARASHTRA

DRAWING  
 PLAN & CROSS SECTION OF MANHOLE CHAMBER & SFRC MANHOLE COVER AND FRAME & HAUNCHING DETAIL For Tender

SCALE	NTS	DATE	31-12-2024
DRAWN	MOHIT RATHORE	CHECKED	RAJAT SINGH
		APPROVED	

DRG. NO :	DPR/MH/AMBR/06	REVISIONS
		0





LEGEND	DESCRIPTION
	SEWER NETWORK
	SEWER NODE
	PROPOSED STP LOCATION

SUBMITTED BY  
 ROPEWAYS DIVISION, 2ND FLOOR, PLOT NO.- 62, INSTITUTIONAL AREA, SECTOR-18, GURGAON - 122015 (HARYANA)  
 PHONE: 0124-2977225  
 EMAIL: ROPEWAYS@WAPCOS.CO.IN

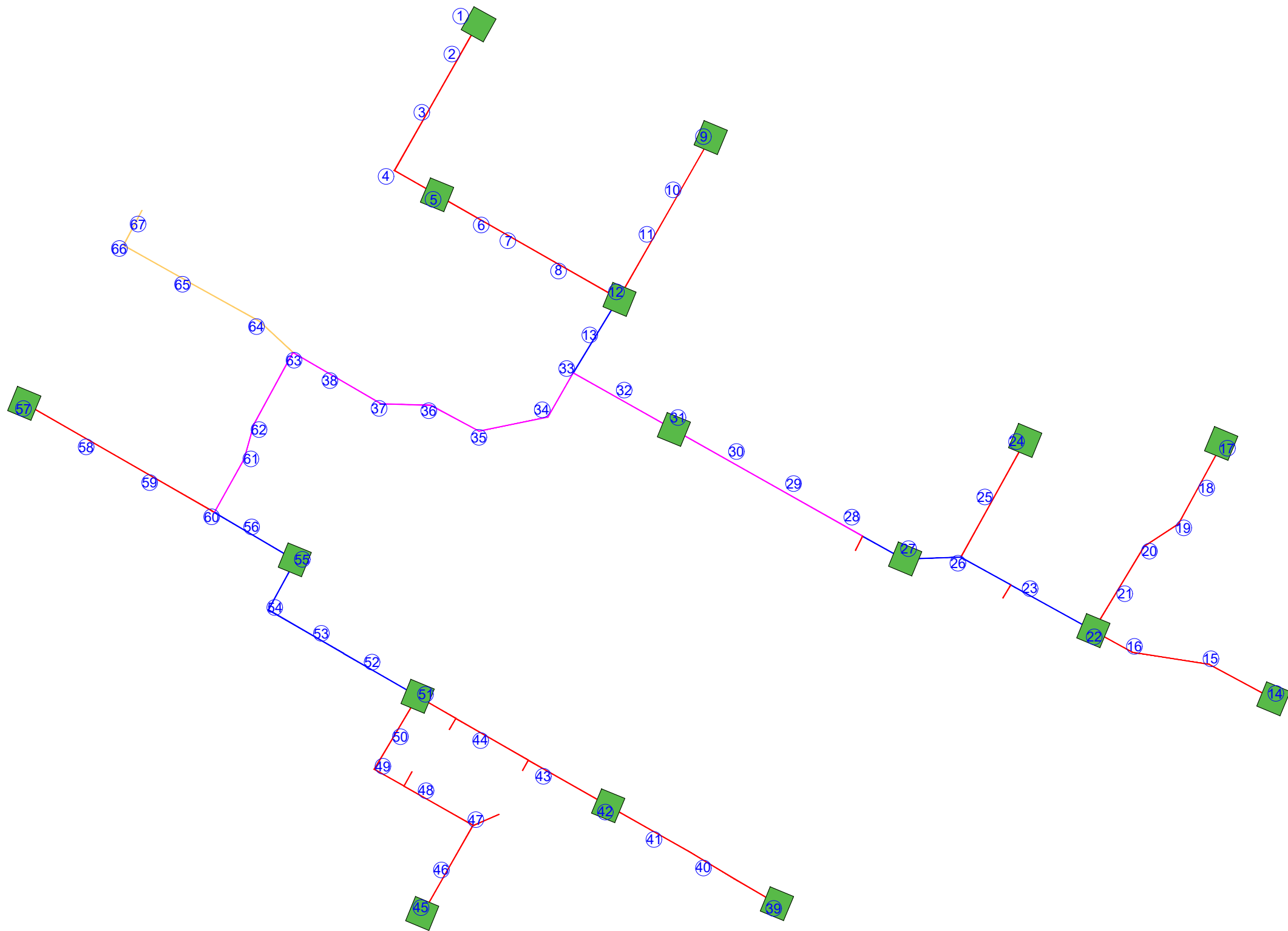
CLIENT  
 ARMoured VEHICLES NIGAM LIMITED  
 A GOVERNMENT OF INDIA ENTERPRISE,  
 MINISTRY OF DEFENCE

PROJECT  
 RENOVATION OF MTPF-AVNL AMBERNATH, MAHARASHTRA

DRAWING  
 PROPOSED FLUSHING TANK LOCATION(FOR TENDER PURPOSE)

SCALE	NTS	DATE	31-12-2024
DRAWN	MOHIT RATHORE	CHECKED	RAJAT SINGH
		APPROVED	

DRG. NO :	DPR/MH/AMBRT/07	REVISIONS
		0



LEGEND	DESCRIPTION
	32 MM DIA HDPE PIPE
	40 MM DIA HDPE PIPE
	50 MM DIA HDPE PIPE
	75 MM DIA HDPE PIPE
	SEWER NODE
	FLUSHING TANK LOCATION

TREATED WATER SUPPLY NETWORK SUMMARY		
S.NO	DIA OF PIPE(mm)	LENGTH(m)
1.	32	822
2.	40	254
3.	50	324
4.	75	92
<b>TOTAL LENGTH(m)</b>		<b>1492</b>

SUBMITTED BY  
 ROPEWAYS DIVISION, 2ND FLOOR, PLOT NO.- 62, INSTITUTIONAL AREA, SECTOR-18, GURGAON – 122015 (HARYANA)  
 PHONE: 0124-2977225  
 EMAIL: ROPEWAYS@WAPCOS.CO.IN

CLIENT  
 ARMoured VEHICLES NIGAM LIMITED  
 A GOVERNMENT OF INDIA ENTERPRISE,  
 MINISTRY OF DEFENCE

PROJECT  
 RENOVATION OF MTPF-AVNL AMBERNATH, MAHARASHTRA

DRAWING  
 TREATED WATER DISTRIBUTION NETWORK (FOR FLUSHING TANK) For Tender Purpose

SCALE	NTS	DATE	31-12-2024
DRAWN	MOHIT RATHORE	CHECKED	RAJAT SINGH
		APPROVED	
DRG. NO :	DPR/MH/AMBRT/08	REVISIONS	
		0	

NOTE:  
TYPICAL SECTION OF FLUSHING TANK FOR SEWER AS  
PER IS: 4111 (PART-2) : 1985

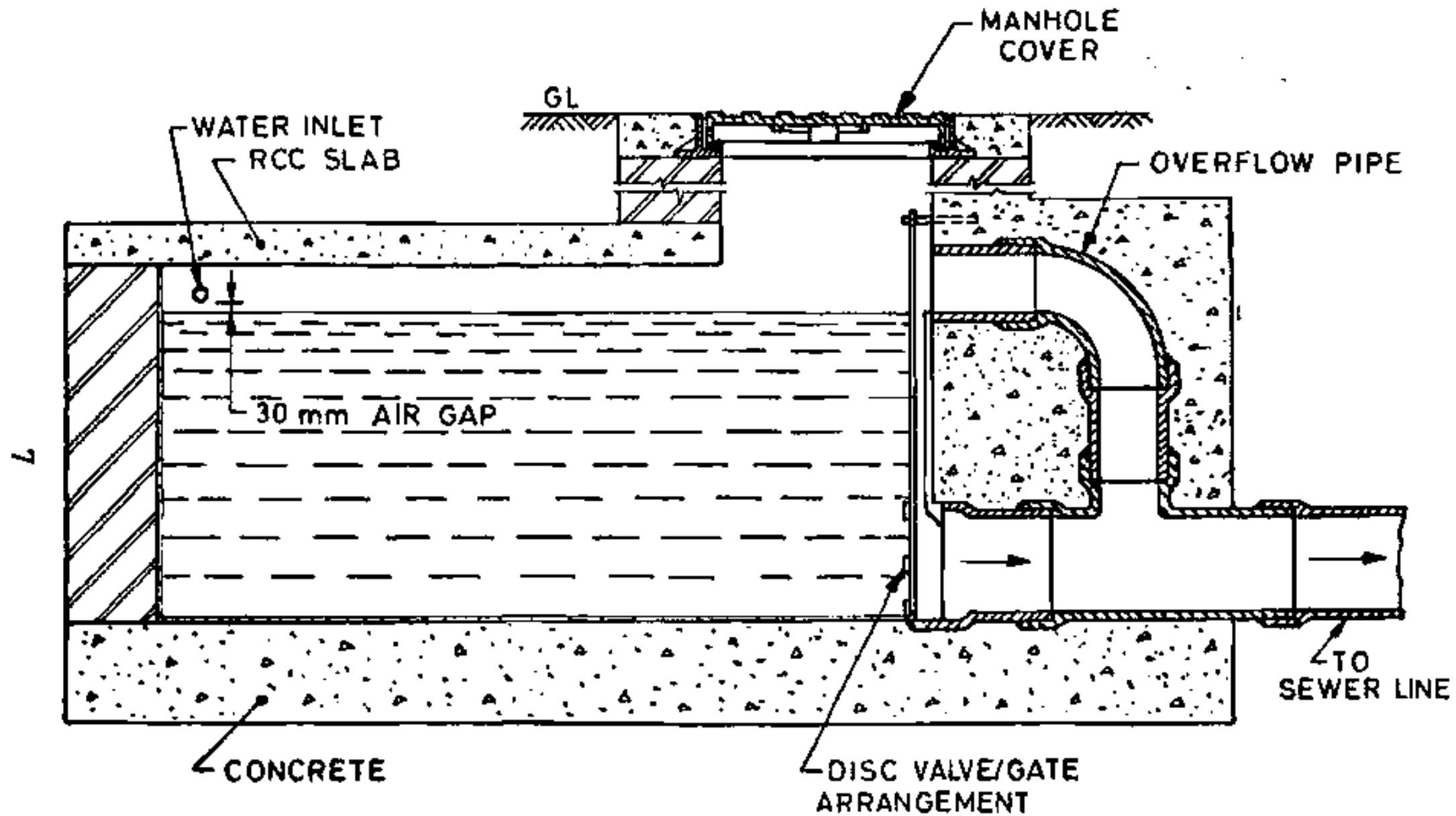



FIG. 1 TYPICAL ILLUSTRATION OF MANUALLY OPERATED FLUSHING TANK FOR SEWERS

IS : 4111 ( Part 2 ) - 1985

SUBMITTED BY  
ROPEWAYS DIVISION, 2ND FLOOR, PLOT  
NO.- 62, INSTITUTIONAL AREA, SECTOR-18,  
GURGAON - 122015 (HARYANA)  
PHONE: 0124-2977225  
EMAIL: ROPEWAYS@WAPCOS.CO.IN

CLIENT  
 ARMoured VEHICLES NIGAM LIMITED  
A GOVERNMENT OF INDIA ENTERPRISE,  
MINISTRY OF DEFENCE

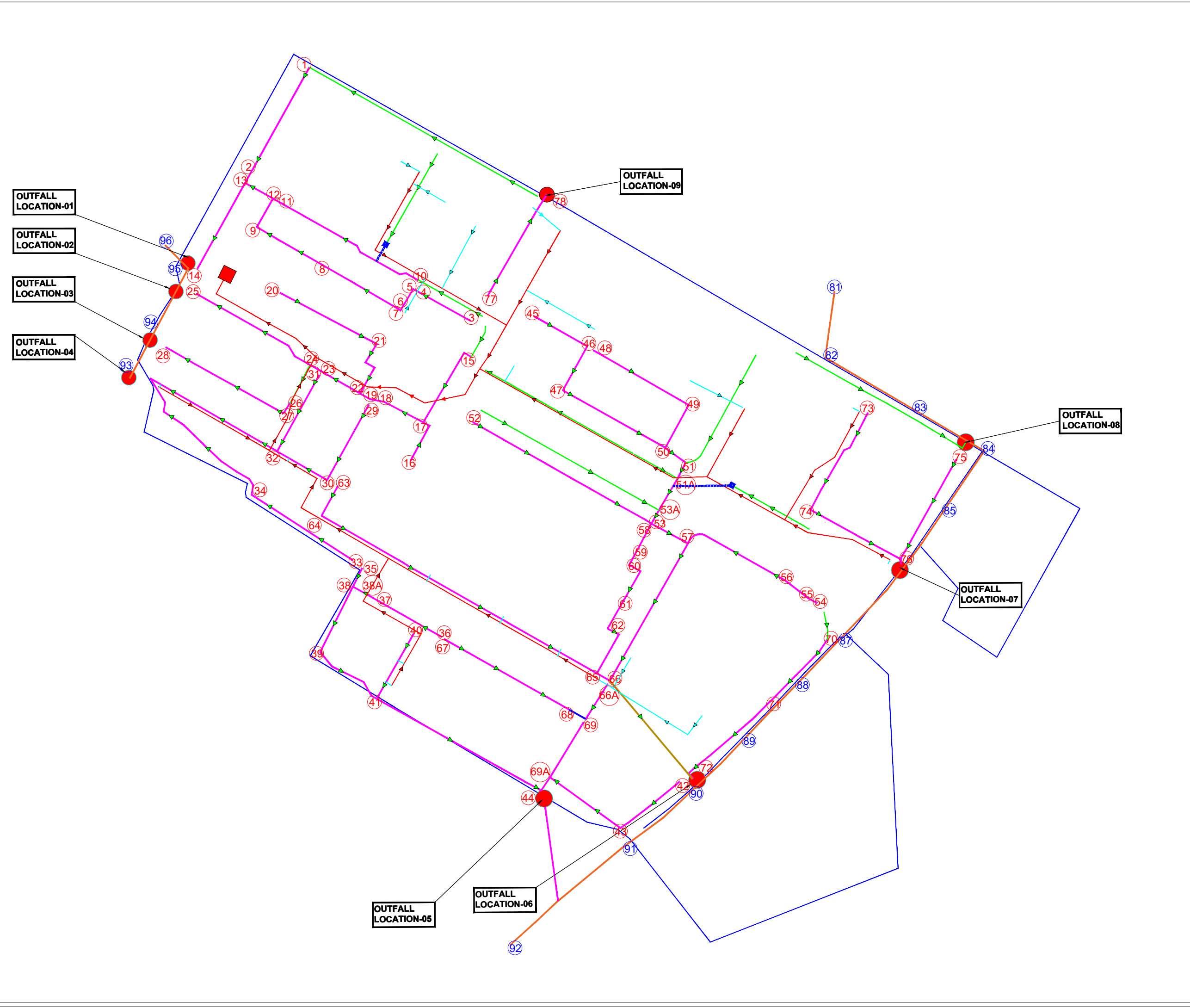
PROJECT  
RENOVATION OF MTPF-AVNL AMBERNATH,  
MAHARASHTRA

DRAWING  
PROPOSED SECTION OF FLUSHING TANK For  
Tender Purpose)

SCALE NTS DATE 31-12-2024

DRAWN	CHECKED	APPROVED
MOHIT RATHORE	RAJAT SINGH	

DRG. NO :	DPR/MH/AMBRT/09	REVISIONS
		0



LEGEND	DESCRIPTION
	SAUCER DRAIN
	STORM WATER DRAIN
	SEWER INTERNAL NETWORK
	SEWER NETWORK-150 MM DWC PIPE
	MANHOLE
	PROJECT AREA BOUNDARY
	EXTERNAL DRAIN NETWORK
	PROPOSED STP LOCATION
	STORM WATER DRAIN NODE
	BRICK CHAMBER 600X600X750
	R.C.C NP2 PIPE 150MMØ

**NOTE:**

- STORM WATER NETWORK LENGTH = 3450 M
- SAUCER DRAIN LENGTH = 900M
- TOTAL DRAINAGE NETWORK LENGTH = 4350 M
- PROPOSED SEWERAGE NETWORK LENGTH = 1453M

SUBMITTED BY  
 ROPEWAYS DIVISION, 2ND FLOOR, PLOT NO.- 62, INSTITUTIONAL AREA, SECTOR-18, GURGAON - 122015 (HARYANA)  
 PHONE: 0124-2977225  
 EMAIL: ROPEWAYS@WAPCOS.CO.IN

CLIENT  
 ARMOURED VEHICLES NIGAM LIMITED  
 A GOVERNMENT OF INDIA ENTERPRISE,  
 MINISTRY OF DEFENCE

PROJECT  
 RENOVATION OF MTPF-AVNL AMBERNATH,  
 MAHARASHTRA

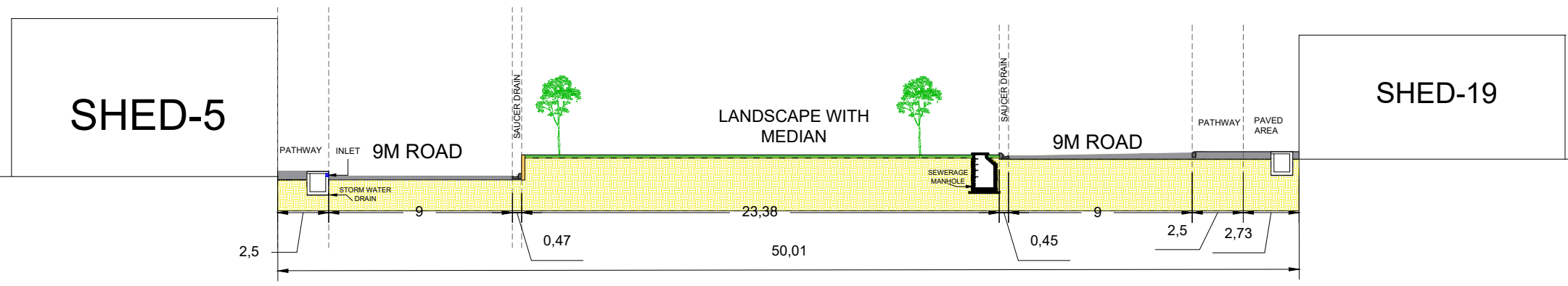
DRAWING  
 PROPOSED SERVICE LAYOUT PLAN FOR  
 TENDER PURPOSE

SCALE NTS DATE 31-12-2024

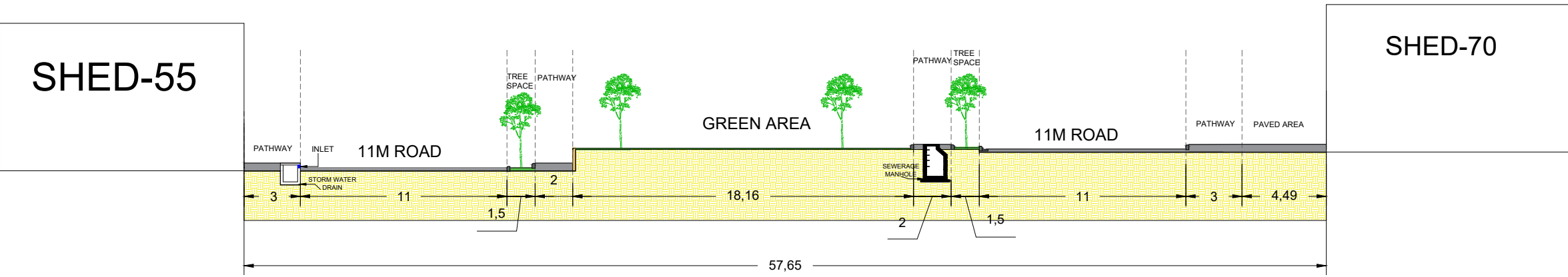
DRAWN	CHECKED	APPROVED
MOHIT RATHORE	RAJAT SINGH	

DRG. NO :	DPR/MH/AMBRT/10	REVISIONS
		0


NOTE :- FOR ROAD LAYOUT PLAN  
PLEASE REFER DRAWING NO.  
DPR/MH/AMBRT/08




SECTION-YY



SECTION-XX

SUBMITTED BY  
 4TH FLOOR, "SKV HOUSE", PLOT NO 57,  
SECTOR 18, GURUGRAM, HARYANA - 122015,  
INDIA  
E-MAIL: ROPEWAYS@WAPCOS.CO.IN,  
WEBSITE: WWW.WAPCOS.CO.IN

CLIENT  
 ARMOURD VEHICLES NIGAM LIMITED  
A GOVERNMENT OF INDIA ENTERPRISE,  
MINISTRY OF DEFENCE

PROJECT  
RENOVATION OF ORDNANCE FACTORY AT  
AMBERNATH, MAHARASHTRA

DRAWING  
PROPOSED ROAD NETWORK SECTION XX'  
& YY' (For Tender Purpose)

SCALE	NTS	DATE	31-12-2024
DRAWN	CHECKED	APPROVED	
MOHIT RATHORE	RAJAT SINGH		

NOTE :- ALL DIMENSIONS ARE IN METER

DRG. NO : DPR/MH/AMBRT/11	REVISIONS
	0



**(A Government of India Undertaking–Ministry of Jal Shakti)**

**WAPCOS Limited**

**(A Government of India Undertaking- Ministry of Jal Shakti)**

Ropeways Division, 2nd Floor, Plot No. - 62,

Institutional Area, Sector-18, Gurgaon – 122015 (Haryana)

Phone: 0124-2977225

Email: ropeways@wapcos.co.in

## **TENDER DOCUMENT FOR**

# **RENOVATION OF EXISTING STROM WATER DRAIN NETWORK & PROVISION OF STP WITH SEWERAGE NETWORK AT MTPF AMBERNATH, MAHARASHTRA**

**WAP/ROPEWAYS/2024-25/XX**

**Date: 0/0/2025**

## **VOLUME II FINANCIAL BID**

**SECTION IX**

**FININCIAL BID**

**Letter of Transmittal for Financial Bid**

Dated:

To,  
**Chief Scientist**  
**Ropeways Division**  
**WAPCOS Limited, Gurugram**

**Sub: Financial Bid for the “RENOVATION OF EXISTING STROM WATER DRAIN NETWORK & PROVISION OF STP WITH SEWERAGE NETWORK AT MTPF AMBERNATH, MAHARASHTRA”**

Dear Sir,

With reference to your NIT document dated ..... I/we, having examined the Bidding Documents and understood their contents, hereby submit my/our Bid for the aforesaid Project. The Bid is unconditional and unqualified.

1. I / We acknowledge that the WAPCOS will be relying on the information provided in the BID and the documents accompanying the BID for selection of the Contractor for the aforesaid Project, and we certify that all information provided in the Bid are true and correct; nothing has been omitted which renders such information misleading; and all documents accompanying the BID are true copies of their respective originals.
2. The BID Price has been quoted by me / us after taking into consideration all the terms and conditions stated in the NIT, draft Agreement, our own estimates of costs and after a careful assessment of the site and all own the conditions that may affect the project cost and implementation of the project.
3. I/ We acknowledge the right of the Authority to reject our BID without assigning any reason or otherwise and hereby waive, to the fullest extent permitted by applicable law, our right to challenge the same on any account whatsoever.
4. In the event of my/ our being declared as the Selected Bidder, I/we agree to enter into a Agreement in accordance with the draft that has been provided to me/us prior to the BID Due Date. We agree not to seek any changes in the aforesaid draft and agree to abide by the same.
5. I / We shall keep this offer as specified in the NIT.
6. I / We hereby submit our BID and offer a BID Price of Rs. .... excluding Goods and Services Tax (Rs ..... in words) for undertaking the aforesaid Project in accordance with the Bidding Documents and the Agreement.

Yours faithfully,

Date:

(Signature, name and designation  
Of the Authorized signatory)

Place:

Name and seal of Bidder



**SUMMARY OF COST FOR ITEM RATE CONTRACT TENDER**

Description	Total Amount (Excluding GST) (Rs)
<b>RENOVATION OF EXISTING STROM WATER DRAIN NETWORK &amp; PROVISION OF STP WITH SEWERAGE NETWORK AT MTPF AMBERNATH, MAHARASHTRA</b>	<b>DO NOT FILL COST HERE</b>
Total Amount in words:	
<b>DO NOT FILL COST HERE AS IT IS TECHNICAL PROPOSAL FILE</b>	

**Note:-**

- The Performa for filling the item rate (Excluding GST) is given in Microsoft excel sheet. The bidder shall fill the quoted amount only up to two decimal place in soft format. The bidder will upload same filled quote in soft Microsoft Excel copy during uploading of financial bid.
- The bidder shall quote Amount up to two decimal only in bill of quantity of tender.
- Prices quoted by the bidder shall include all Materials, Tools & Plant, labour, supervision, profit; other levies together with all general risks, liabilities and obligations set out or implied in the contract, applicable Labour Cess, cost of insurance to this contract, all applicable tax liabilities like Income Tax & Surcharges, etc. Any other taxes /cess as per Government directives shall be deducted from each bill paid to the Contractor, from time to time. GST shall be payable extra as per prevailing rates. It is mandatory to bidders to deposit GST within time limit framed by Govt. of India, if applicable. The Goods and Services Tax (GST), shall be reimbursed to the Agency only after uploading of bills by Contractor on GST Portal "to avail Input benefit of GST"
- It is mandatory to bidders to deposit The Contractor shall issue Tax Invoices to the Employer showing (i) Basic amount (ii) GST amount separately in each bill. It is mandatory to bidders to deposit GST within time limit framed by Govt. of India, if applicable. The Goods and Services Tax (GST), shall be reimbursed to the Agency only after uploading of bills by Contractor on GST Portal "to avail Input benefit of GST".
- The company shall be performing all its duties of deduction TDS and other deduction on payment made to the contractor as per applicable legislation in force on the date of submission of bid or to be newly /amended introduced during the execution of the Contract.
- The payment shall be made as per the quantity of work executed after due verification of work by WAPCOS.